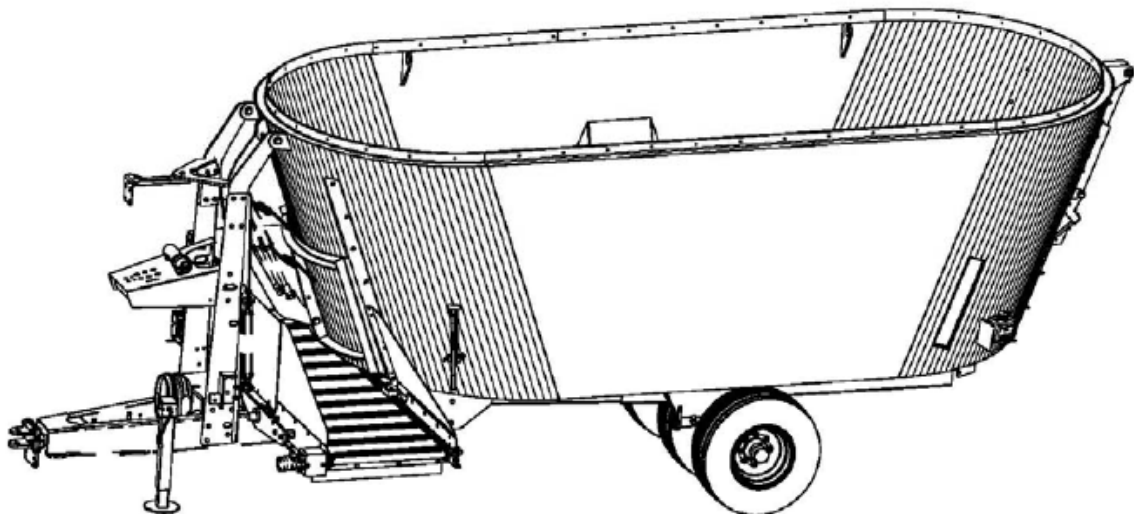


JAY•LOR[®] *BECAUSE
NUTRITION
MATTERS.*[™]

PARTS BOOK

4000 SERIES TWIN HD AUGER MODELS

4850HD 41000HD 41250HD



"Because Nutrition Matters™"

TABLE OF CONTENTS

- A. INTRODUCTION**
- B. CONTACT INFORMATION**
- C. GENERAL INFORMATION**
- D. PART NUMBERING SYSTEM**
- E. SERIAL NUMBER LOCATION**
- F. 001 – DRUM PARTS**
- G. 002 – FRAME / HITCH PARTS**
- H. 003 – LADDER / PLATFORM PARTS**
- I. 004 – WHEEL / HUB / AXLE PARTS**
- J. 005 – AUGER PARTS**
- K. 006 – CONVEYOR PARTS**
- L. 007 – DRIVELINE / GEARBOX PARTS**
- M. 008 – LUBE SYSTEM PARTS**
- N. 009 – HYDRAULIC / PNEUMATIC PARTS**
- O. 010 – SCALE / LIGHTING PARTS**

A. INTRODUCTION

This Dealer Copy of the Parts Book contains common and general information applicable to the Jaylor Mixers. It has been carefully designed to ensure that correct and accurate information is portrayed in every area of a typical unit, enabling efficient and effective service to the end user of Jaylor's products.

The format of this book consists of a fundamental breakdown of components and assemblies according to the area in which they are located or function on the machine. Each area of section contains illustrative information regarding a part or an assembly, along with information such as part numbers and quantities included. For details and pricing information regarding parts and assemblies depicted in the illustrations please contact Jaylor. Our service personnel will be more than willing to assist you in obtaining information as it pertains to Jaylor's line of products. Information and pricing for non-stock and/or custom items will be quoted on request.

Note:

Parts and assemblies in this book may not be exactly as shown. Jaylor reserves the right to make any changes/revisions/amendments at any time as deemed necessary to ensure that correct information is provided.

B. CONTACT INFORMATION

Contact Jaylor at:



071213 10th Line
East Garafraxa, ON
Canada
L9W 6Z9

Phone: (519) 787-9353
Fax: (519) 787-7053
E-mail: jaylor@jaylor.com
On the web: www.jaylor.com

C. GENERAL INFORMATION

It is important to use extreme caution when performing any type of service to this equipment. General information regarding service procedures and intervals is covered in the Owner Manual provided with the new product. For more specific product service, please contact Jaylor to obtain Technical Service Bulletins that outline the procedures and requirements for such.

It is also important to ensure that only Jaylor genuine or approved parts are to be used where applicable. Mismatched or incorrect components can result in machine damage or malfunction, or possibly personal injury.

D. PART NUMBERING SYSTEM

Jaylor's part numbering system consists of eleven digits as shown below:

XXX-000-12345

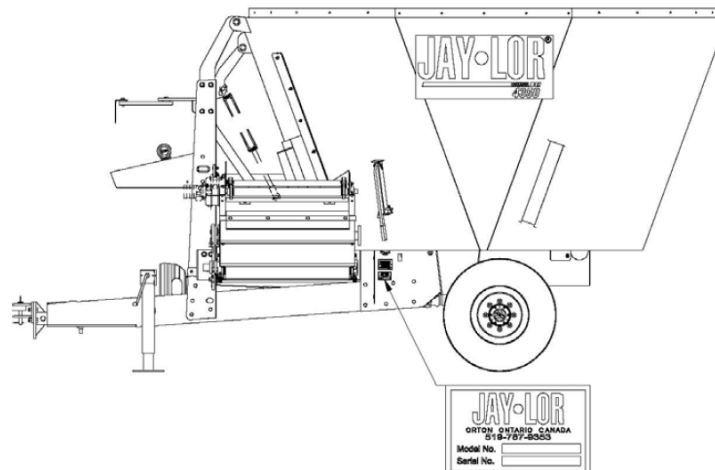
The first three digits are the **Product Group Code (PGC)**, which consists of three alpha characters which will be referred to as (XXX). The next three numeric digits will be referred to as (000) and represent the **Product Code (PC)**. The next five numeric digits represent the **Part Number (PN)** and are referred to as (12345).

The Product Code (PC) follows the following numbering convention:

PC	Description
000	Universal Parts
001	Drum Parts
002	Frame/Hitch Parts
003	Ladder / Platform Parts
004	Wheel / Hub / Axle Parts
005	Auger Parts
006	Conveyor Parts
007	Driveline / Gearbox Parts
008	Lube System Parts
009	Hydraulic and Pneumatic Parts
010	Scale / Lighting Parts

E. SERIAL NUMBER LOCATION

When ordering components for Jaylor products it is important to include the machine model and serial numbers if applicable. The serial number plate is located on the frame of the machine as indicated in the diagram below:



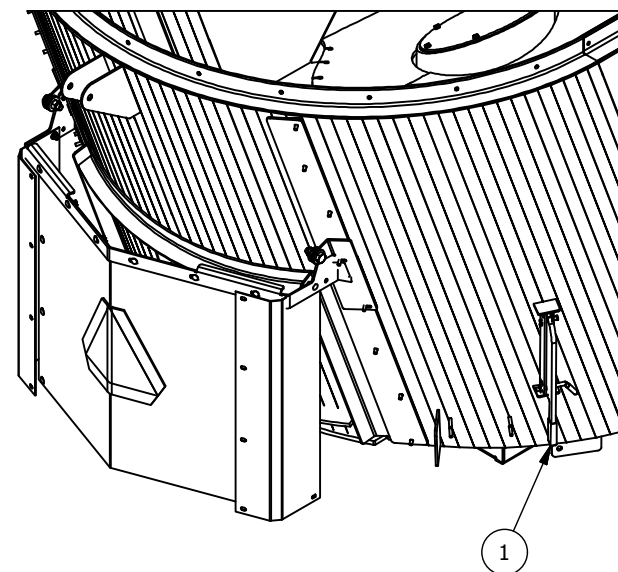
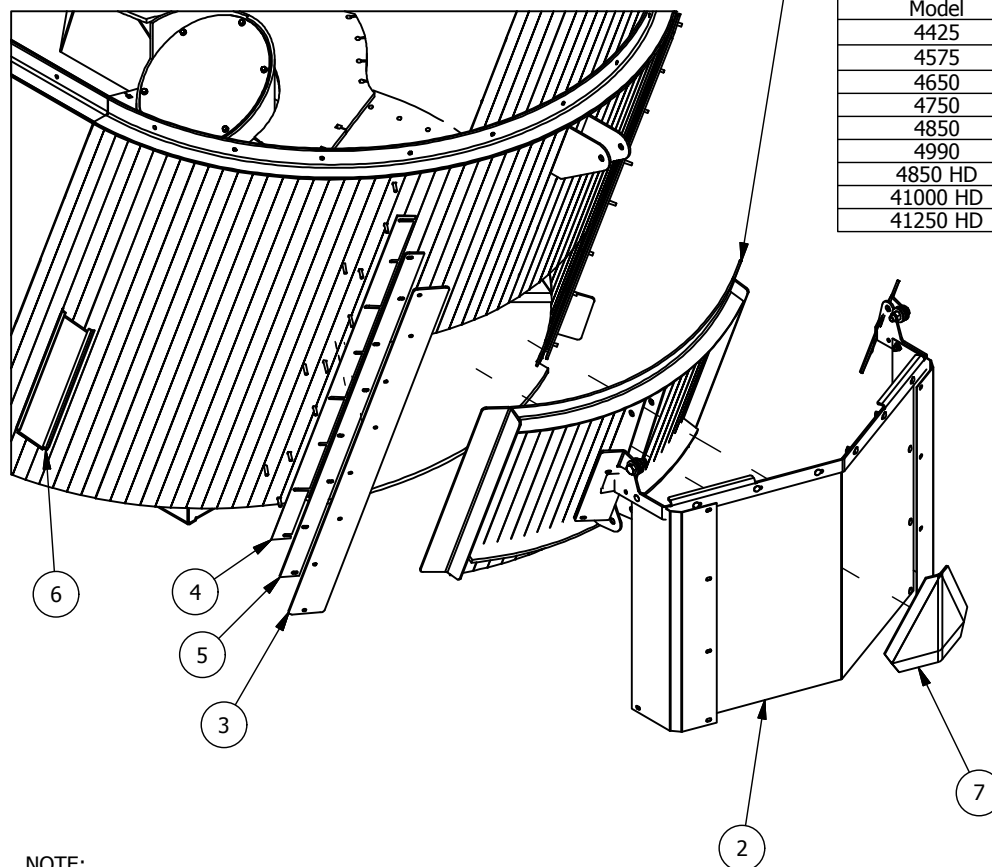
F. 001 – DRUM PARTS**Drawing Number Reference Chart:**

Part	Model		
	4850HD	41000HD	41250HD
Rear Door Parts	AAA-054-00001		
Front Door Parts	AAA-054-00014		
Corner Door Parts	AAA-054-00015		
Restrictor Blade	AAA-001-00149		
Drum Extensions	AAA-054-00132		

Parts List

ITE	PART NUMBER	TITLE	QTY
1	AAA-001-00149	RB ASSY	1
2	AAA-001-00831	REAR DOOR SHIELD ASSY	1
3	AAA-001-00857	OUTER DOOR TRACK 1/4T X 67H	2
4	AAA-001-00859	INNER DOOR SPCR 1/8T X 67H	2
5	AAA-001-00860	INNER DOOR SPCR 1/4T X 67H	2
6	AAB-001-00022	WNDW VIEWING	1
7	AAB-012-00074	DECAL SMV PLASTIC BOLT ON	1

Rear Door Part Numbers	
Model	Part #
4425	AAA-001-00811
4575	AAA-001-00515
4650	AAA-001-00812
4750	AAA-001-00812
4850	AAA-001-00811
4990	AAA-001-00811
4850 HD	AAA-001-01024
41000 HD	AAA-001-01026
41250 HD	AAA-001-01026



NOTE:

AAA-001-00859, AAA-001-00860 & AAA-001-00857
SPACERS AND OUTER DOOR TRACK RESPECTIVELY
ARE USED ON HD MODELS AS WELL

DR	GM	TOLERANCES (UNLESS SPECIFIED OTHERWISE) FRACTIONAL ± 1/16" DEC X.X ± 0.1" DEC X.XX ± 0.06" DEC X.XXX ± 0.031" ANGULAR ± 0.5°	JAY-LOR Fabricating Inc
DAT	4/21/2011		
MAT			

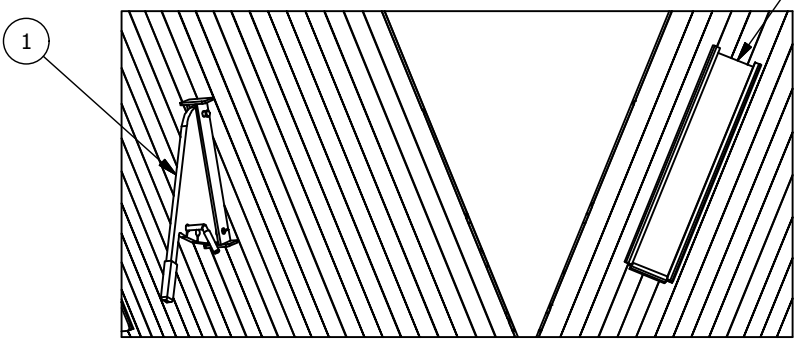
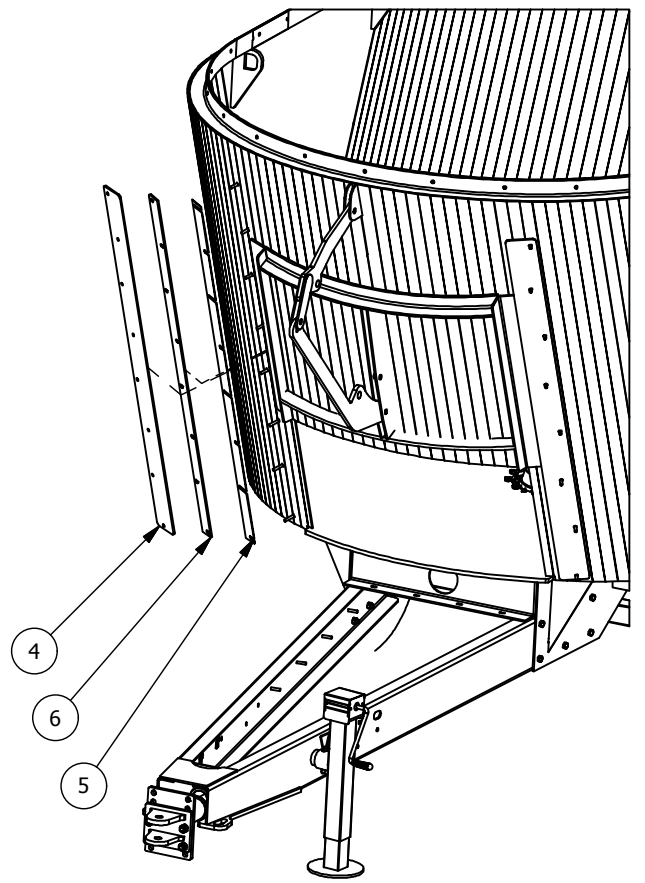
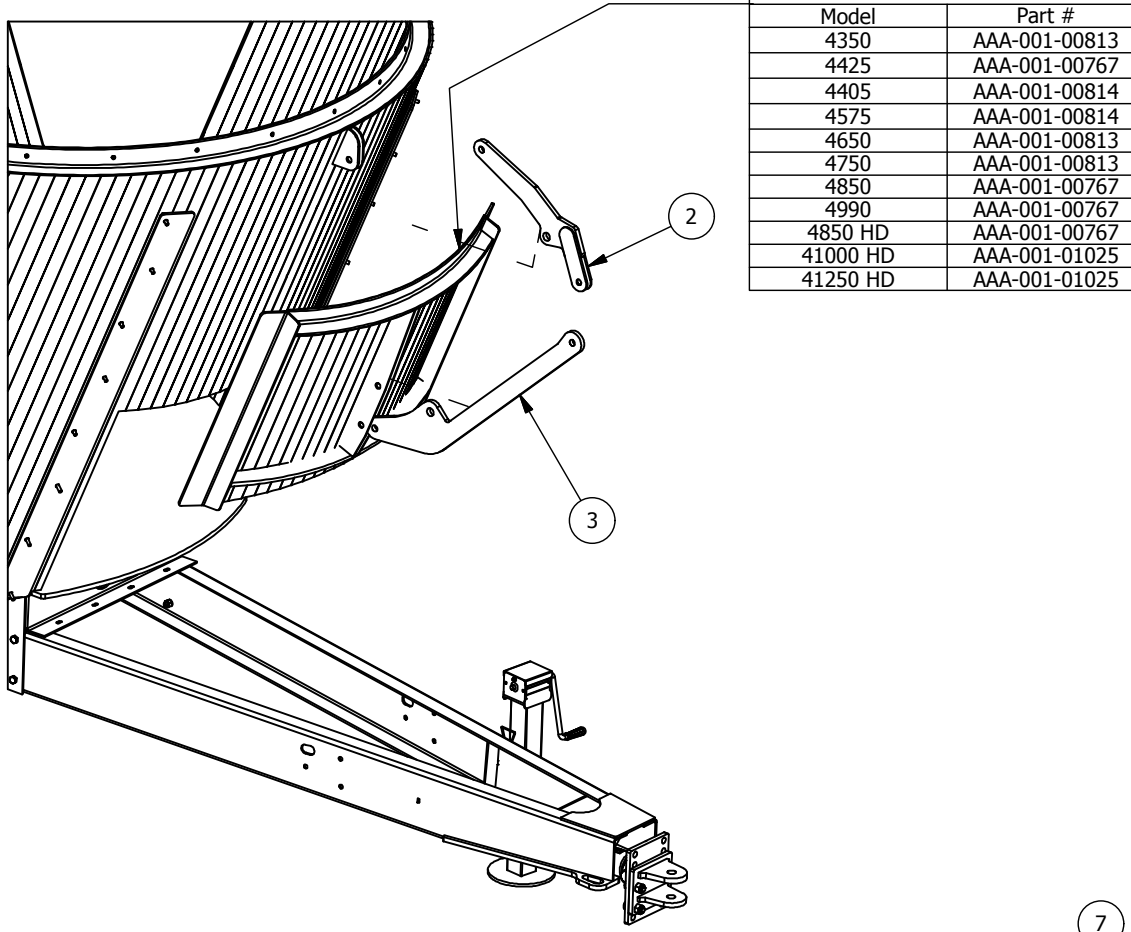
UNITS	PAPER A	SHEET 1 OF 1	R#	DATE	DESCRIPTION	DR	CK
-------	---------	--------------	----	------	-------------	----	----

TITLE 4000 SERIES REAR DOOR PARTS FILE NO AAA-054-00001.idw

CONFIDENTIAL: THESE DRAWINGS AND COPIES THEREOF REMAIN THE PROPERTY OF JAY-LOR FABRICATING INC. ANY PERSON FOUND UNLAWFULLY USING, DISTRIBUTING, OR IN POSSESSION OF THE ABOVE WILL BE PROSECUTED

Front Door Part Numbers	
Model	Part #
4350	AAA-001-00813
4425	AAA-001-00767
4405	AAA-001-00814
4575	AAA-001-00814
4650	AAA-001-00813
4750	AAA-001-00813
4850	AAA-001-00767
4990	AAA-001-00767
4850 HD	AAA-001-00767
41000 HD	AAA-001-01025
41250 HD	AAA-001-01025

Parts List			
ITEM	PART NUMBER	TITLE	QTY
1	AAA-001-00149	RB ASSY	1
2	AAA-001-00536	LWR ARM WELDMENT SINGLE CYDR HOLE	1
3	AAA-001-00737	LONG DOOR ARM 5/8T	1
4	AAA-001-00857	OUTER DOOR TRACK 1/4T X 67H	2
5	AAA-001-00859	INNER DOOR SPCR 1/8T X 67H	2
6	AAA-001-00860	INNER DOOR SPCR 1/4T X 67H	2
7	AAB-001-00022	WNDW VIEWING	1

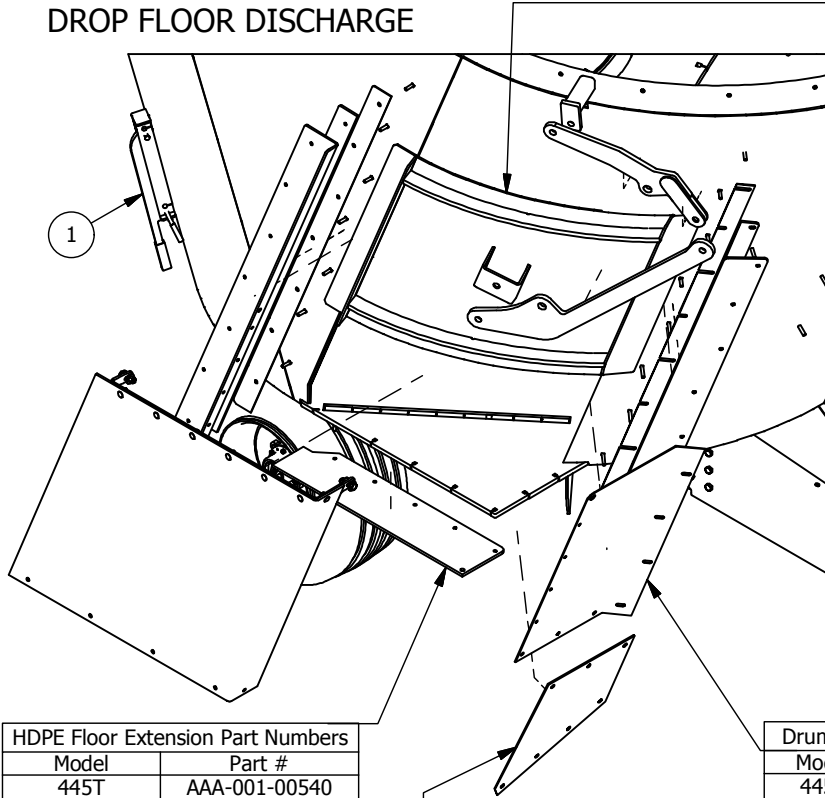


DR	GM	TOLERANCES (UNLESS SPECIFIED OTHERWISE) FRACTIONAL ± 1/16" DEC X.X ± 0.1" DEC X.XX ± 0.06" DEC X.XXX ± 0.031" ANGULAR ± 0.5°	JAY•LOR Fabricating Inc
DAT	11/25/2010		
MAT			

UNITS	PAPER A	SHEET 1 OF 1	R#	DATE	DESCRIPTION	DR	CK
TITLE 4000 SERIES FRONT DOOR PARTS						FILE NO AAA-054-00014.idw	

CONFIDENTIAL: THESE DRAWINGS AND COPIES THEREOF REMAIN THE PROPERTY OF JAY-LOR FABRICATING INC. ANY PERSON FOUND UNLAWFULLY USING, DISTRIBUTING, OR IN POSSESSION OF THE ABOVE WILL BE PROSECUTED

DROP FLOOR DISCHARGE



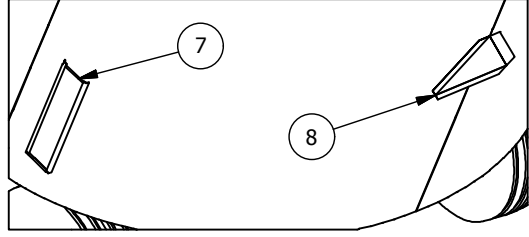
Door Part Numbers	
Model	Part #
445T	AAA-001-00334
525T	AAA-001-00272
LP505T	AAA-001-00330
610T	AAA-001-00330
4650	AAA-001-00334
4750	AAA-001-00334
4850	AAA-001-00272
4990	AAA-001-00272

HDPE Floor Extension Part Numbers	
Model	Part #
445T	AAA-001-00540
525T	AAA-001-00540
LP505T	AAA-001-00549
610T	AAA-001-00549
4650	AAA-001-00540
4750	AAA-001-00540
4850	AAA-001-00540
4990	AAA-001-00540

Rubber Shield Part Numbers	
Model	Part #
445T	AAA-001-00693
525T	AAA-001-00693
LP505T	AAA-001-00819
610T	AAA-001-00819
4650	AAA-001-00693
4750	AAA-001-00693
4850	AAA-001-00693
4990	AAA-001-00693

Drum Shield Part Numbers	
Model	Part #
445T	AAA-001-00328
525T	AAA-001-00293
LP505T	AAA-001-00365
610T	AAA-001-00336
4650	AAA-001-00328
4750	AAA-001-00328
4850	AAA-001-00293
4990	AAA-001-00293

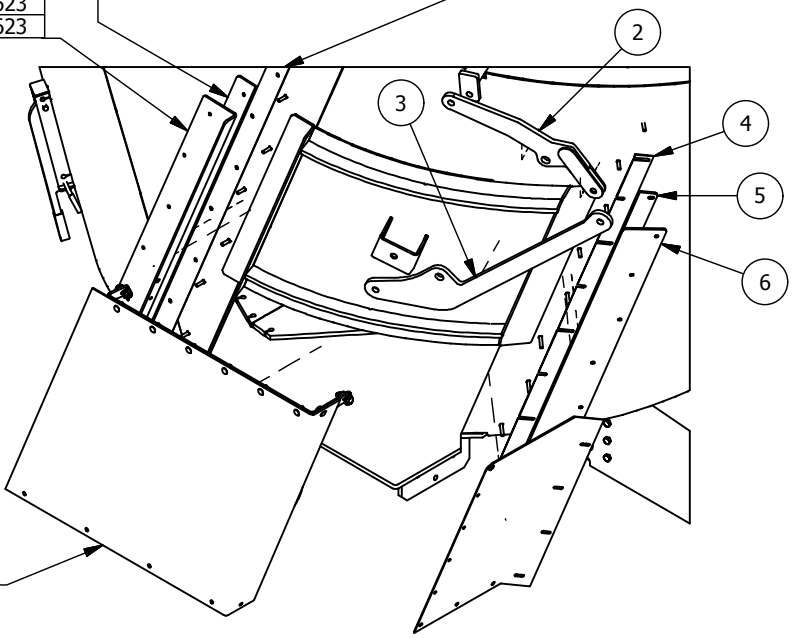
Discharge Shield Assembly Part Numbers	
Model	Part #
445T	AAA-001-00653
525T	AAA-001-00653
LP505T	AAA-001-00654
610T	AAA-001-00654
4650	AAA-001-00653
4750	AAA-001-00653
4850	AAA-001-00653
4990	AAA-001-00653



Parts List			
ITE	PART NUMBER	TITLE	QTY
1	AAA-001-00149	RB ASSY	2
2	AAA-001-00536	LWR ARM WELDMENT SINGLE CYDR HOLE	2
3	AAA-001-00737	LONG DOOR ARM 5/8T	2
4	AAA-001-00859	INNER DOOR SPCR 1/8T X 67H	2
5	AAA-001-00860	INNER DOOR SPCR 1/4T X 67H	2
6	AAA-001-00901	OUTER DOOR TRACK 1/4T X 67-1/2H (CORNER DOORS)	2
7	AAB-001-00022	WNDW VIEWING	1
8	AAB-012-00021	DECAL SLOW MOVING VEHICLE	1

Middle Door Spacer Part Numbers	
Model	Part #
445T	AAA-001-00622
525T	AAA-001-00622
LP505T	AAA-001-00347
610T	AAA-001-00622
4650	AAA-001-00622
4750	AAA-001-00622
4850	AAA-001-00622
4990	AAA-001-00622

Inner Door Spacer Part Numbers	
Model	Part #
445T	AAA-001-00621
525T	AAA-001-00621
LP505T	AAA-001-00802
610T	AAA-001-00621
4650	AAA-001-00621
4750	AAA-001-00621
4850	AAA-001-00621
4990	AAA-001-00621

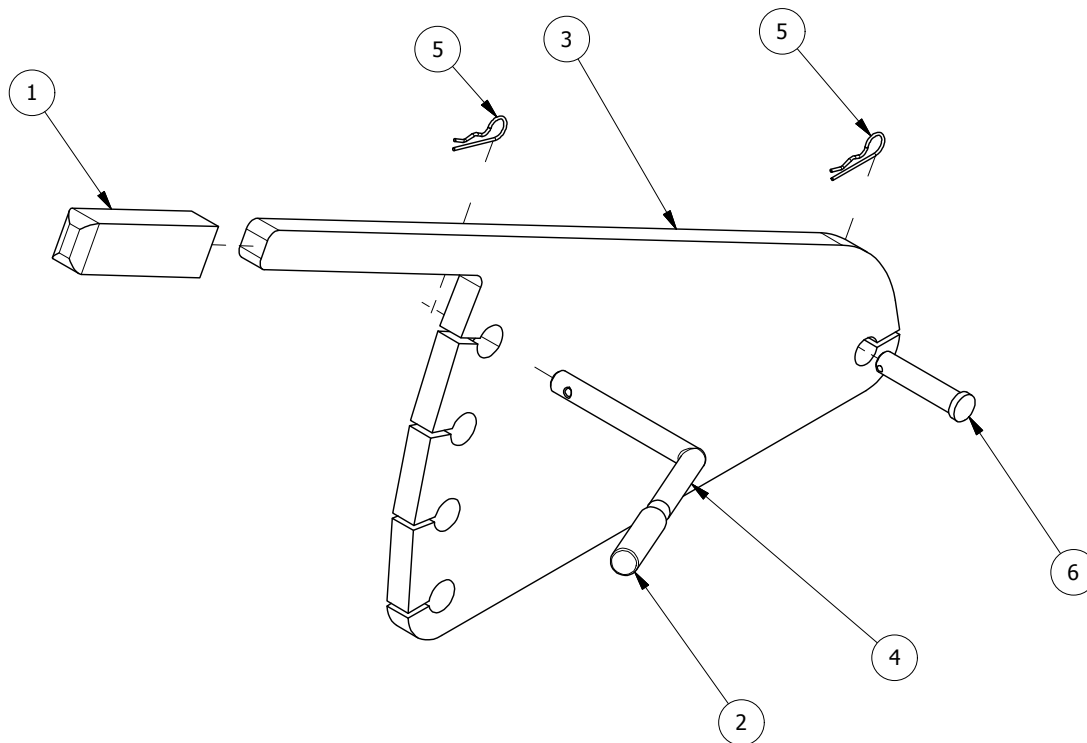


REGULAR FLOOR DISCHARGE

DR	GM	TOLERANCES (UNLESS SPECIFIED OTHERWISE) FRACTIONAL ± 1/16" DEC X.X ± 0.1" DEC X.XX ± 0.06" DEC X.XXX ± 0.031" ANGULAR ± 0.5°	JAY-LOR Fabricating Inc
DAT	4/21/2011		
MAT			

CONFIDENTIAL: THESE DRAWINGS AND COPIES THEREOF REMAIN THE PROPERTY OF JAY-LOR FABRICATING INC. ANY PERSON FOUND UNLAWFULLY USING, DISTRIBUTING, OR IN POSSESSION OF THE ABOVE WILL BE PROSECUTED

Parts List			
ITEM	PART NUMBER	TITLE	QTY
1	AAB-015-40010	GRIP RB VINYL 7/8 X 4-1/2	1
2	AAB-015-40009	GRIP ADJUSTMENT PIN VINYL 1/2 X 2-1/2	1
3	AAA-001-00674C	RB 5/8T	1
4	AAB-001-00020	PIN BENT ADJUSTMENT 1/2 X 3-5/8	1
5	AAB-015-40005	PIN CLIP 1/16 X 1-5/8	2
6	AAB-001-00017	PIN PIVOT 1/2 X 2.41	1



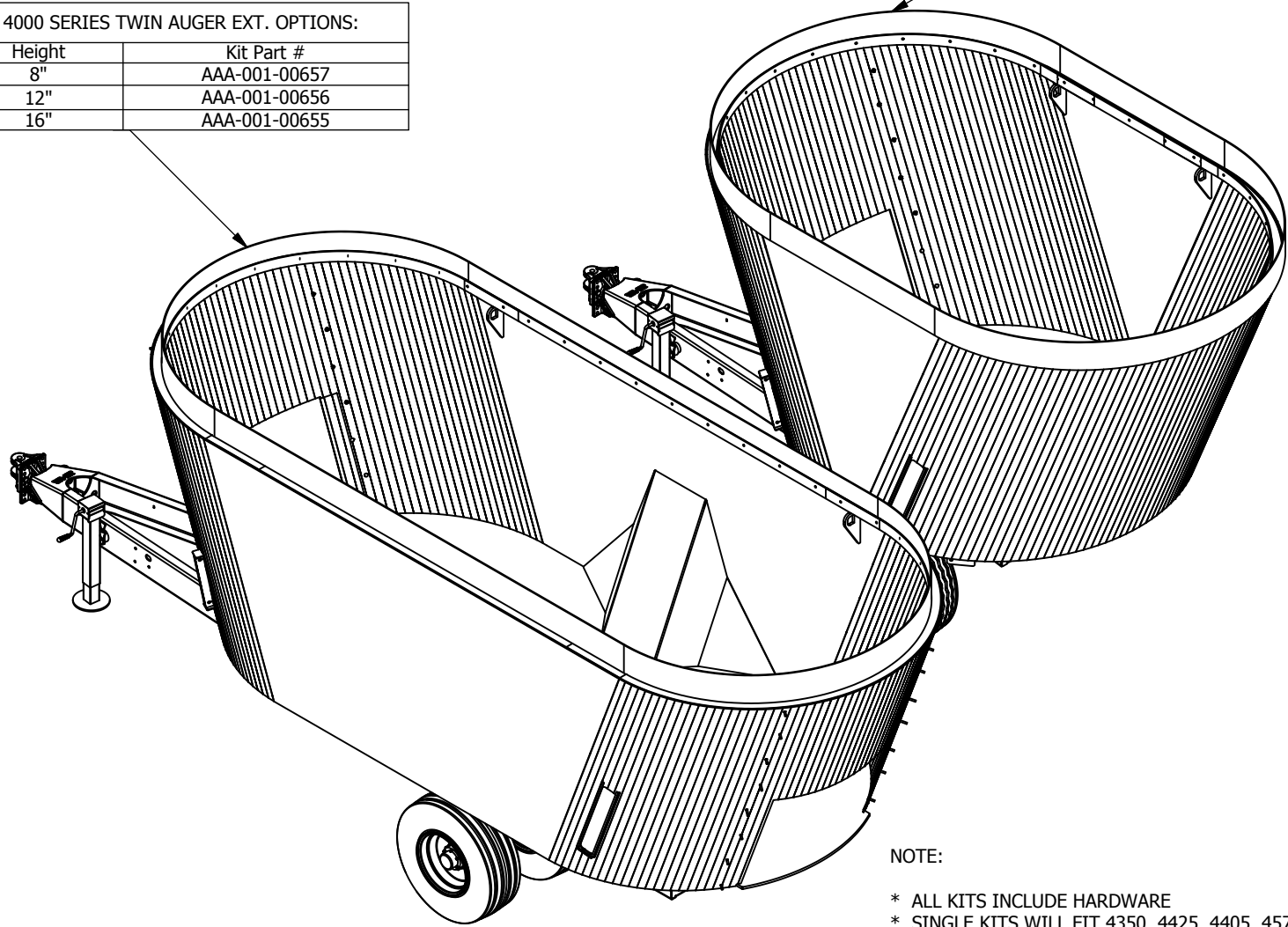
DRAWN BY	JET	TOLERANCES	JAY•LOR <i>Fabricating Inc</i>
CHECKED BY		FRACTION ± 1/8	
DATE	1/18/2012	DECIMAL ± 1/32	
MATERIAL	EACH	ANGLES ± 1/2°	SCALE 1:3

UNITS	EACH	PAPER	A	SHEET	2 OF 2	R#		DATE		DESCRIPTION		DR	CK
TITLE	RB ASSY												
FILE NO	AAA-001-00149.idw												



4000 SERIES SINGLE AUGER EXT. OPTIONS:	
Height	Kit Part #
8"	AAA-001-00647
12"	AAA-001-00648
16"	AAA-001-00649

4000 SERIES TWIN AUGER EXT. OPTIONS:	
Height	Kit Part #
8"	AAA-001-00657
12"	AAA-001-00656
16"	AAA-001-00655



- NOTE:
- * ALL KITS INCLUDE HARDWARE
 - * SINGLE KITS WILL FIT 4350, 4425, 4405, 4575 & ALL T-SERIES
 - * TWIN KITS WILL FIT 4650, 4750, 4850 ,4990, 4850HD, 41000HD & 41250 HD

DR	Jan .v. Ee	TOLERANCES (UNLESS SPECIFIED OTHERWISE) FRACTIONAL ± 1/16" DEC X.X ± 0.1" DEC X.XX ± 0.06" DEC X.XXX ± 0.031" ANGULAR ± 0.5°	JAY•LOR Fabricating Inc
DAT	10/31/2012		
MAT			
CONFIDENTIAL: THESE DRAWINGS AND COPIES THEREOF REMAIN THE PROPERTY OF JAY-LOR FABRICATING INC. ANY PERSON FOUND UNLAWFULLY USING, DISTRIBUTING, OR IN POSSESSION OF THE ABOVE WILL BE PROSECUTED			

UNITS	PAPER	SHEET	R#	DATE	DESCRIPTION	DR	CK	FILE NO
	A	1 OF 1						AAA-054-00132.idw
TITLE 4000 SERIES DRUM EXTENSION KITS								

G. 002 – FRAME / HITCH PARTS**Drawing Number Reference Chart:**

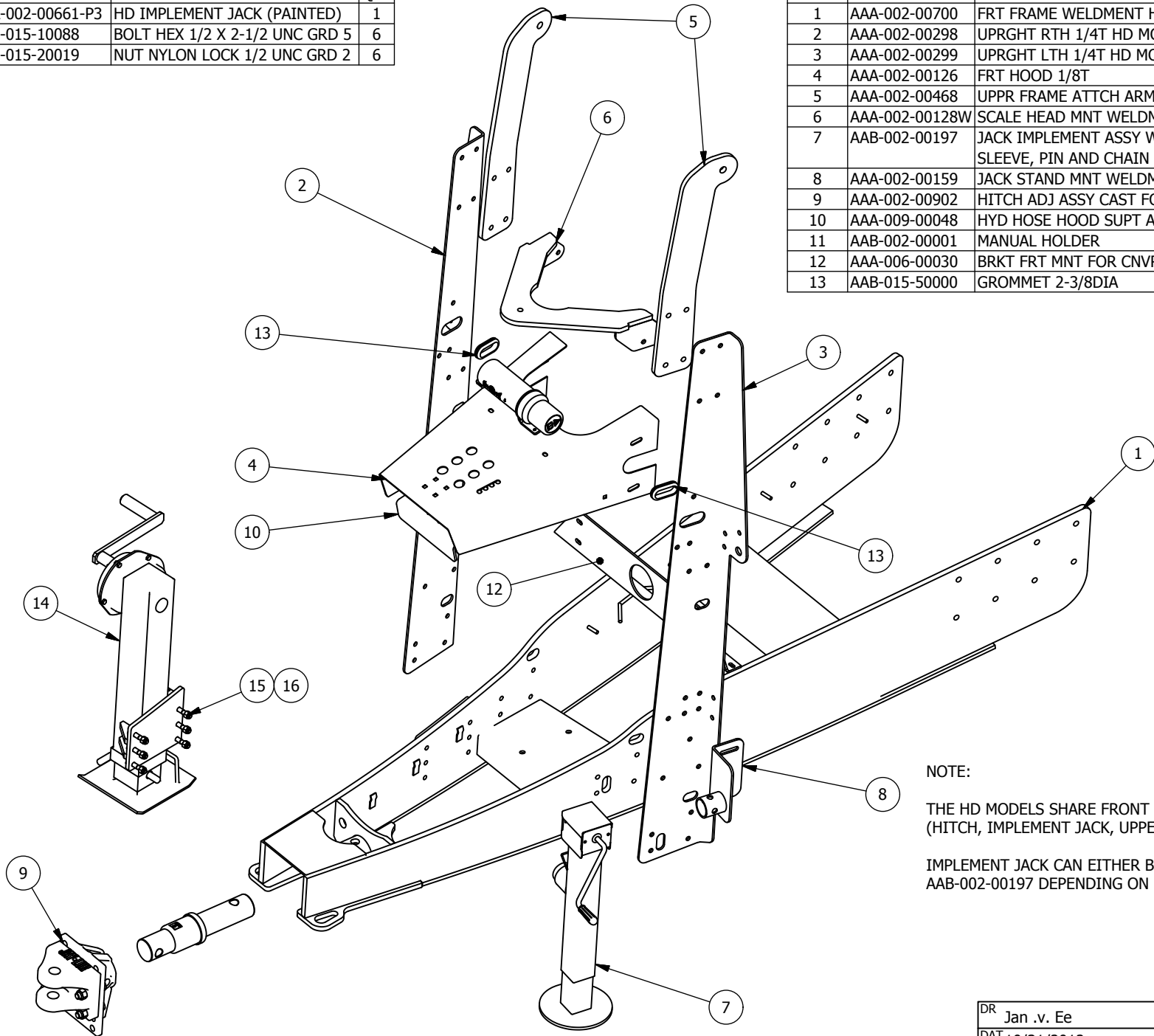
Part	Model		
	4850HD	41000HD	41250HD
Front Frame Assembly & Hitch	AAA-054-00131		

HD Jack parts

ITE	PART NUMBER	TITLE	QTY
14	AAA-002-00661-P3	HD IMPLEMENT JACK (PAINTED)	1
15	AAB-015-10088	BOLT HEX 1/2 X 2-1/2 UNC GRD 5	6
16	AAB-015-20019	NUT NYLON LOCK 1/2 UNC GRD 2	6

Parts List front frame

ITEM	PART NUMBER	TITLE	QTY
1	AAA-002-00700	FRT FRAME WELDMENT HD MODELS	1
2	AAA-002-00298	UPRGHT RTH 1/4T HD MODELS	1
3	AAA-002-00299	UPRGHT LTH 1/4T HD MODELS	1
4	AAA-002-00126	FRT HOOD 1/8T	1
5	AAA-002-00468	UPPR FRAME ATTCH ARM 5/8T (HD MODELS)	2
6	AAA-002-00128W	SCALE HEAD MNT WELDMENT	1
7	AAB-002-00197	JACK IMPLEMENT ASSY WITH OUTER SLEEVE, 1 INNER SLEEVE, PIN AND CHAIN	1
8	AAA-002-00159	JACK STAND MNT WELDMENT LTH	1
9	AAA-002-00902	HITCH ADJ ASSY CAST FOR 4850/4990 & HD SERIES	1
10	AAA-009-00048	HYD HOSE HOOD SUPT ANGLE	1
11	AAB-002-00001	MANUAL HOLDER	1
12	AAA-006-00030	BRKT FRT MNT FOR CNVR 1/4T	1
13	AAB-015-50000	GROMMET 2-3/8DIA	2



NOTE:
 THE HD MODELS SHARE FRONT FRAME COMPONENTS.
 (HITCH, IMPLEMENT JACK, UPPER ARM, HOOD, ETC.)
 IMPLEMENT JACK CAN EITHER BE AAB-002-00661 OR
 AAB-002-00197 DEPENDING ON MIXER SERIAL.

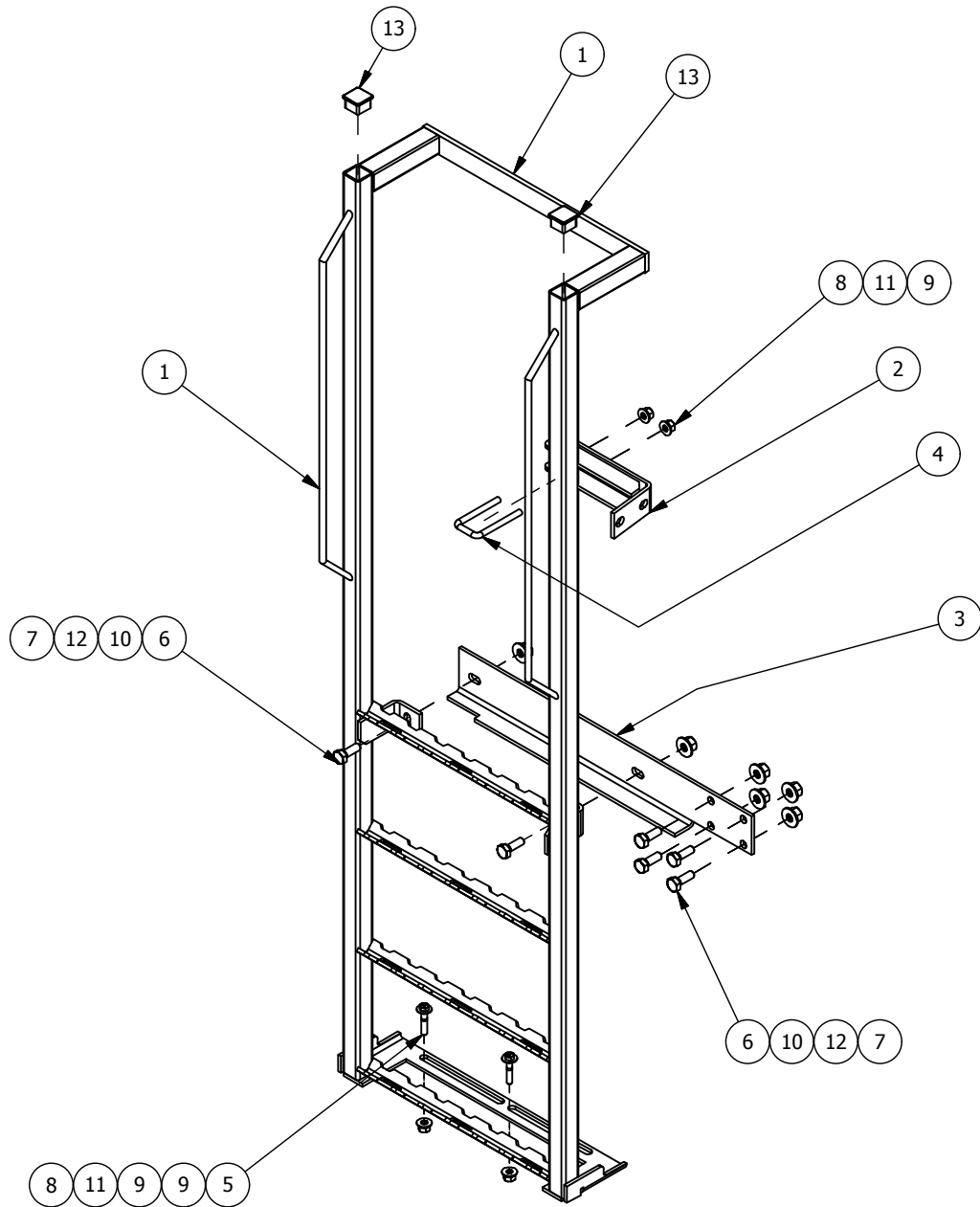
UNITS	PAPER A	SHEET 1 OF 1	R#	DATE	DESCRIPTION	DR	CK
TITLE 4000 HD SERIES FRONT FRAME ASSEMBLY					FILE NO	AAA-054-00131.idw	

DR Jan .v. Ee	TOLERANCES (UNLESS SPECIFIED OTHERWISE) FRACTIONAL ± 1/16" DEC X.X ± 0.1" DEC X.XX ± 0.06" DEC X.XXX ± 0.031" ANGULAR ± 0.5°	JAY-LOR Fabricating Inc
DAT 10/31/2012		
MAT		
CONFIDENTIAL: THESE DRAWINGS AND COPIES THEREOF REMAIN THE PROPERTY OF JAY-LOR FABRICATING INC. ANY PERSON FOUND UNLAWFULLY USING, DISTRIBUTING, OR IN POSSESSION OF THE ABOVE WILL BE PROSECUTED		

H. 003 – LADDER PARTS

Drawing Number Reference Chart:

Part	Model		
	4850HD	41000HD	41250HD
Standard Ladder Assembly	AAA-003-00076		



Parts List			
ITEM	PART NUMBER	TITLE	QTY
1	AAA-003-00006	LDR 4000 SERIES WELDMENT	1
2	AAA-003-00009	SIDE BRACE WELDMENT	1
3	AAA-003-00074	LDR MID SUPT 1/4T	1
4	AAB-015-10029	U BOLT 3/8-16 UNC 4-3/16 IN LG	1
5	AAB-015-10057	BOLT HEX 3/8 X 2 UNC GRD 5	2
6	AAB-015-10063	BOLT HEX 1/2 X 1-1/2 UNC GRD 5	12
7	AAB-015-20011	NUT HEX 1/2 UNC GRD 5	12
8	AAB-015-20017	NUT HEX 3/8 UNC GRD 2	6
9	AAB-015-30012	WSHR FLAT 3/8 USS	8
10	AAB-015-30013	WSHR FLAT 1/2 USS	12
11	AAB-015-30017	WSHR LOCK 3/8	6
12	AAB-015-30018	WSHR LOCK 1/2	12
13	AAB-015-50002	CAP POLY 1-1/4 X 1-1/4	2

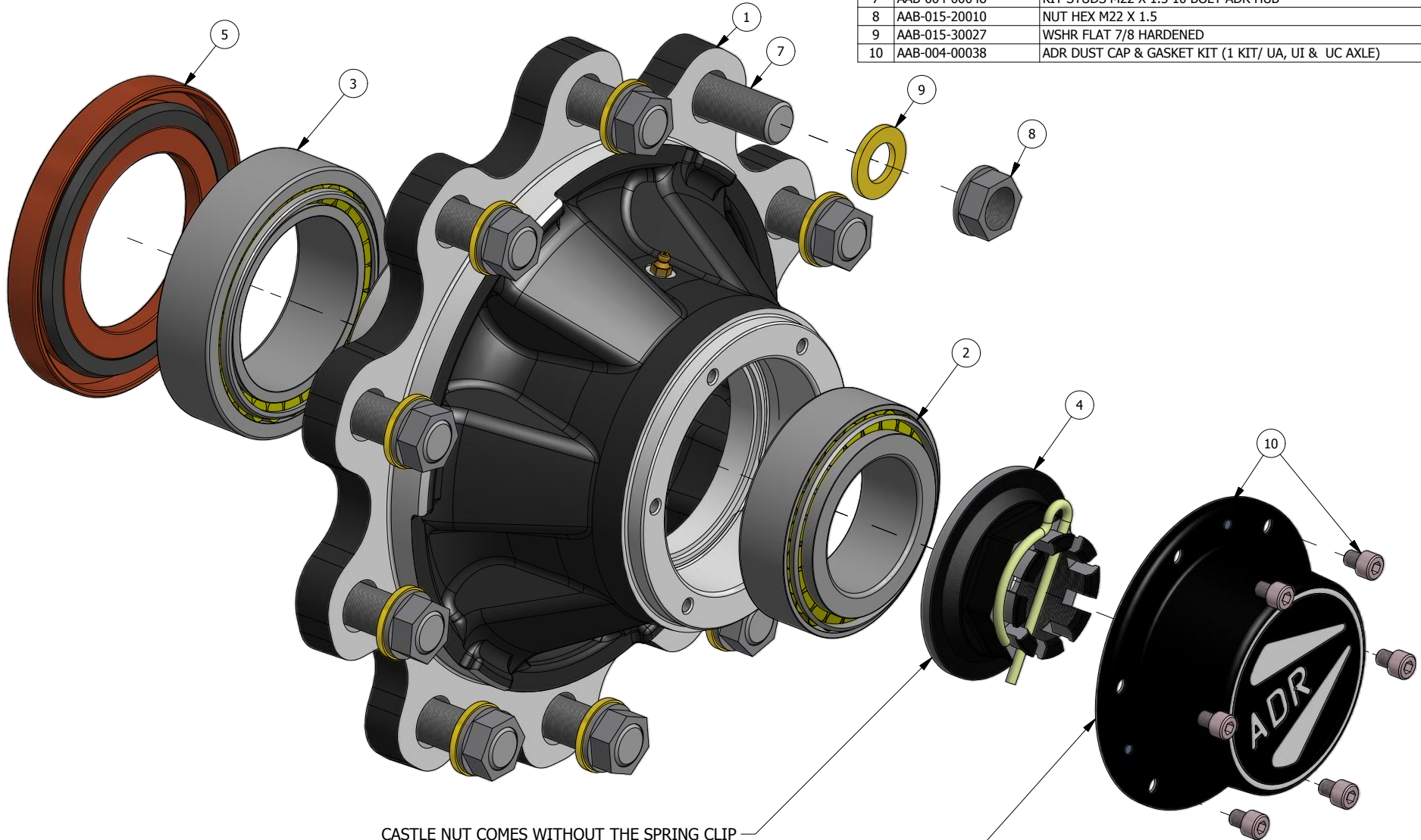
UNITS	PAPER A	SHEET 1 OF 1	R#	DATE	DESCRIPTION	DR	CK
TITLE LDR ASSY (4000 SERIES)					FILE NO	AAA-003-00076.idw	

DR	LMV	TOLERANCES (UNLESS SPECIFIED OTHERWISE) FRACTIONAL ± 1/16" DEC X.X ± 0.1" DEC X.XX ± 0.06" DEC X.XXX ± 0.031" ANGULAR ± 0.5°	
DAT	1/18/2012		
MAT			
<small>CONFIDENTIAL: THESE DRAWINGS AND COPIES THEREOF REMAIN THE PROPERTY OF JAY-LOR FABRICATING INC. ANY PERSON FOUND UNLAWFULLY USING, DISTRIBUTING, OR IN POSSESSION OF THE ABOVE WILL BE PROSECUTED</small>			

I. 004 – WHEEL / HUB / AXLE PARTS**Drawing Number Reference Chart:**

Part	Model		
	4850HD	41000HD	41250HD
10-Bolt Axle	AAA-004-00216		
Caser Walking Beam	AAA-054-00127		
Welded Walking Beam	AAA-054-00133		
Wheels	AAA-054-00125		

Parts List			
ITEM	PART NUMBER	TITLE	QTY
1	AAB-004-00246	HUB H10 22 120-140 280-335 (10 BOLT HUB W/GREASE FIT)	1
2	AAB-004-00244	OUTER BRNG (33114) FOR UC/UA AXLE (100MM)	1
3	AAB-004-00243	INNER BRNG (33018) FOR UC/UA AXLE (100MM)	1
4	AAB-004-00039	NUT SLOTTED WITH RETAINER CLIP 10 BOLT ADR HUB	1
5	AAB-004-00230	ADR INDUSTRIAL GREASE SEAL FOR 10-BOLT HUB (5471402)	1
7	AAB-004-00048	KIT STUDS M22 X 1.5 10 BOLT ADR HUB	1
8	AAB-015-20010	NUT HEX M22 X 1.5	10
9	AAB-015-30027	WSHR FLAT 7/8 HARDENED	10
10	AAB-004-00038	ADR DUST CAP & GASKET KIT (1 KIT/ UA, UI & UC AXLE)	1



CASTLE NUT COMES WITHOUT THE SPRING CLIP
(PART # SPRING CLIP AAB-004-00030)

1 KIT / AXLE
(CONTAINS TWO CAPS, TWO SEALS & HARDWARE)
ALSO FITS ON UA AXLE (HUBS)

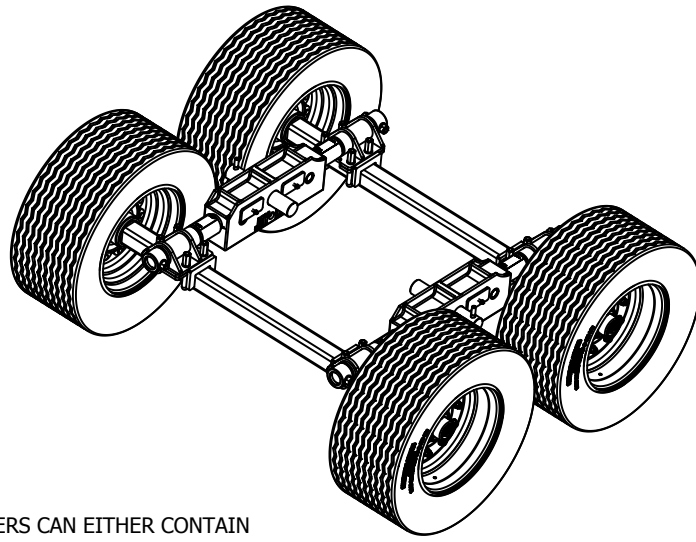
NOTE:

INNER AND OUTER BEARING CAN BE ORDERED AS A KIT
PART # AAB-004-00245

DRWN : Jan .v. Ee	TOLERANCES (UNLESS SPECIFIED OTHERWISE)	JAY•LOR Fabricating Inc
DATE : 30-Apr-14	FRACTIONAL ± 1/16"	
MAT :	DEC X.X ± 0.1"	
	DEC X.XXX ± 0.06"	
	DEC X.XXX ± 0.031"	
	ANGULAR ± 0.5°	

VIEW REP :	SHEET 1 OF 1	R#	DATE	DESCRIPTION	DR	CK
TITLE : KIT ADR 10 BOLT HUB FOR UC (UA) AXLE				FILE NO : AAA-004-00216.idw		

CONFIDENTIAL: THESE DRAWINGS AND COPIES THEREOF REMAIN THE PROPERTY OF JAY-LOR FABRICATING INC. ANY PERSON FOUND UNLAWFULLY USING, DISTRIBUTING, OR IN POSSESSION OF THE ABOVE WILL BE PROSECUTED

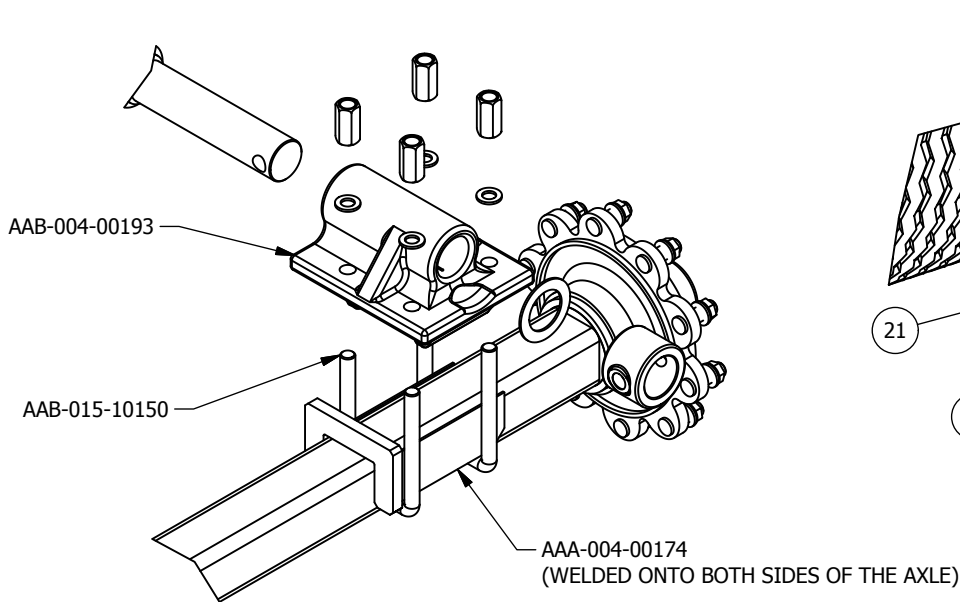


NOTE:

BASED ON MIXER SERIAL, HD TRAILERS CAN EITHER CONTAIN WELDED OR CASTED WALKING BEAM COMPONENTS.

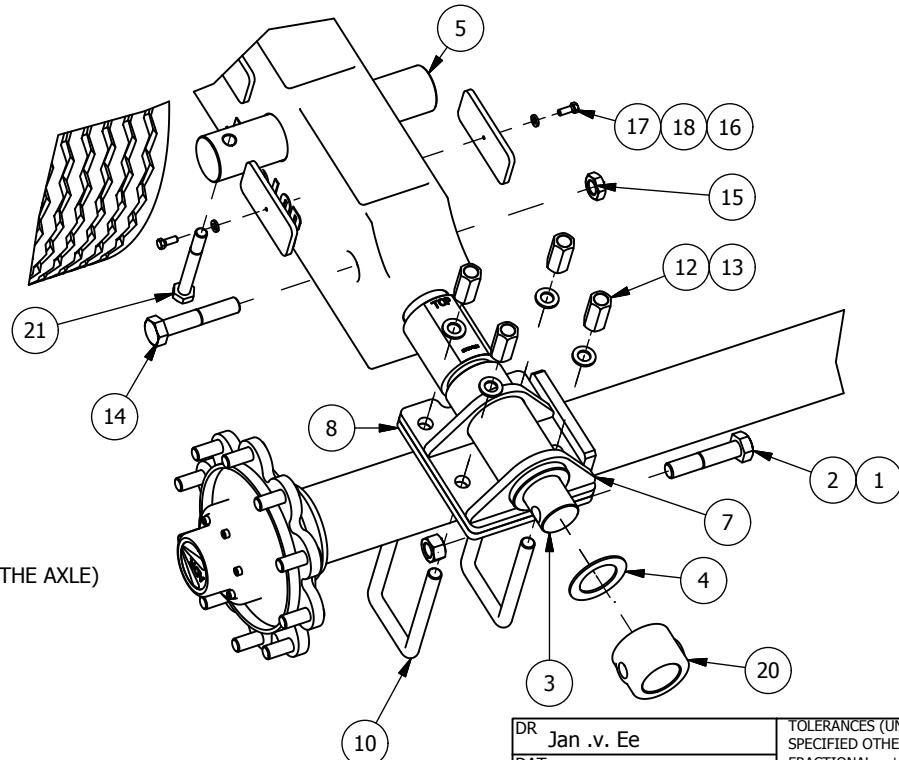
CHECK WITH OUR PARTS DEPARTMENT TO MAKE SURE THE CORRECT PARTS ARE ORDERED

Parts List			
ITE	PART NUMBER	TITLE	QTY
1	AAB-015-20021	NUT HEX 1 UNC GRD 8	4
2	AAB-015-10091	BOLT HEX 1 X 5 UNC GRD 8	4
3	AAB-010-00195	WB 2-5/8DIA 3-1/8DIA 26-1/4L	4
4	AAA-000-00113	OSCILLATING AXLE NYLON SPACER 2.625ID X 1/8T	4
5	AAA-002-00714	HD WALKING BEAM HINGE PIN 15 3/4LG X 3DIA	2
6	AAB-004-00124	TIRE AND RIM 445/50R22.5	4
7	AAA-002-00588	AXLE WB WELDMENT (HD W/ 7/8 U-BOLTS)	4
8	AAA-002-00589	AXLE PLT UBOLT 100MM AXLE 5/8T	4
9	AAB-004-00017	AXLE 100MM X 100MM WITH 2030MM [80"] F-F (TRACK)	2
10	AAB-015-10106	U-BOLT SQ 7/8 X 4W X 8L UNF GRD 8	8
11	AAA-000-00106	PLT BRACE MNT AXLE 10BOLT 3/4T	4
12	AAB-015-20029	NUT HEX COUPLING 7/8 X 2-1/2LG -14 UNF	16
13	AAB-015-30027	WSHR FLAT 7/8 HARDENED	16
14	AAB-015-10136	BOLT HEX 1 X 5 1/2 UNC GRD 8	4
15	AAB-015-20034	JAM NUT HEX 1 UNC GRD 8	4
16	AAB-004-00180	SPACER NYLATRON NSM / SL - 2-7/8 X 6 X 3/8T	8
17	AAB-015-10056	BOLT HEX 3/8 X 1 UNC GRD 2	8
18	AAB-015-30017	WSHR LOCK 3/8	8
19	AAB-002-00657	WALKING BEAM AXLE CROSS MEMBER	2
20	AAB-004-00176	CAST WB TUBE 2.645ID X 4OD X 2.86L	4
21	AAB-015-10072	BOLT HEX 3/4 X 6 UNC GRD 8	2

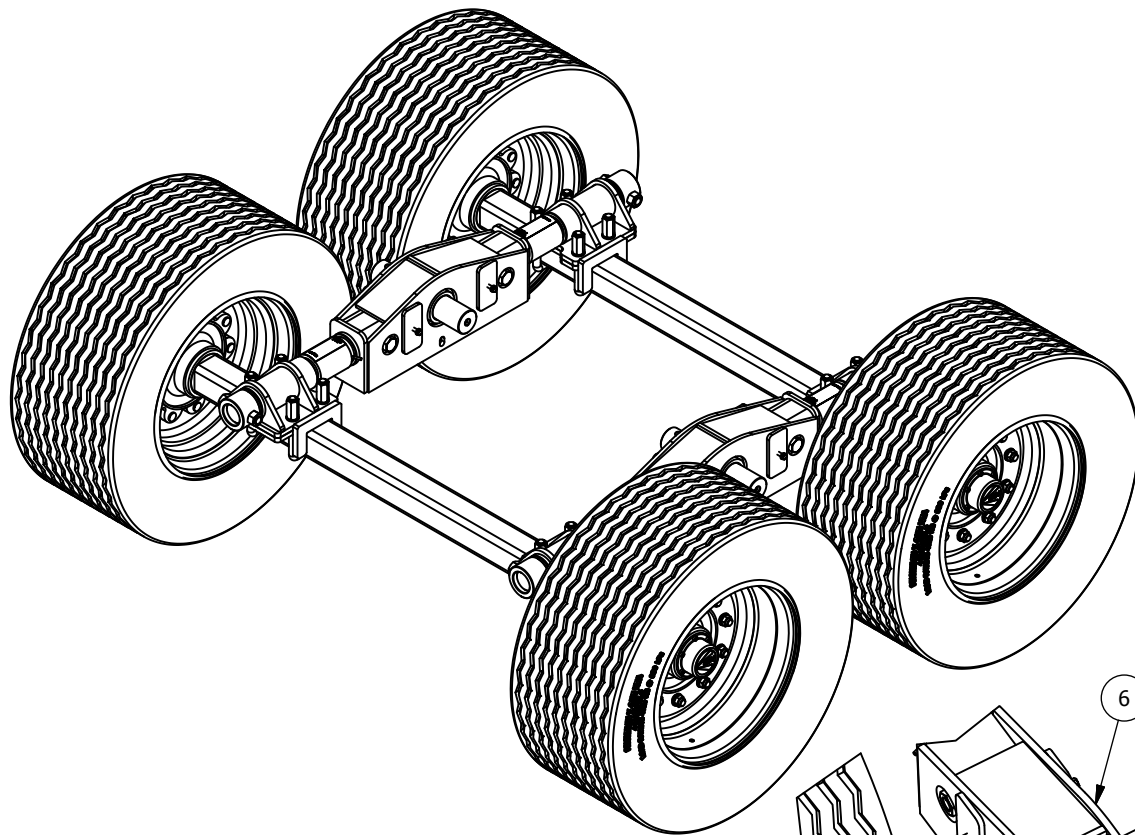


CAST AXLE TO WEIGH BAR MOUNTING (ONLY ON LATER MIXER VERSIONS)

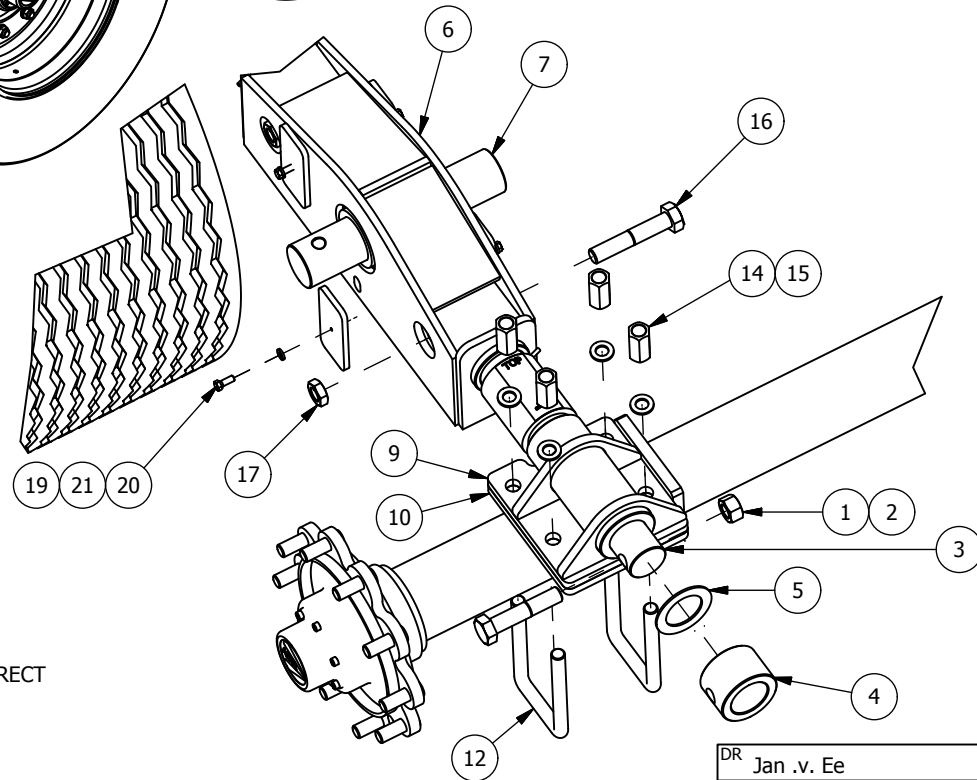
INDICATED ABOVE ARE THE PARTS THAT DIFFER FROM THE STANDARD ASSEMBLY SHOWN IN THE OTHER VIEW



DR	Jan .v. Ee	TOLERANCES (UNLESS SPECIFIED OTHERWISE) FRACTIONAL ± 1/16" DEC X.X ± 0.1" DEC X.XX ± 0.06" DEC X.XXX ± 0.031" ANGULAR ± 0.5°	JAY-LOR Fabricating Inc
DAT	9/21/2012		
MAT			



Parts List			
ITEM	PART NUMBER	TITLE	QTY
1	AAB-015-20021	NUT HEX 1 UNC GRD 8	4
2	AAB-015-10091	BOLT HEX 1 X 5 UNC GRD 8	4
3	AAB-010-00195	WB 2-5/8DIA 3-1/8DIA 26-1/4L	4
4	AAB-002-00216	WB TUBE 2.645ID X 4OD X 2.86L	4
5	AAA-000-00113	OSCILLATING AXLE NYLON SPACER 2.625ID X 1/8T	4
6	AAA-004-00161	HD LOWER WALKING BEAM WELDMENT	2
7	AAA-002-00655	41000 HD WALKING BEAM HINGE PIN 3 IN DIA 14-1/4LG	2
8	AAB-004-00124	TIRE AND RIM 445/50R22.5	4
9	AAA-002-00588	AXLE WB WELDMENT (HD W/ 7/8 U-BOLTS)	4
10	AAA-002-00589	AXLE PLT UBOLT 100MM AXLE 5/8T	4
11	AAB-004-00017	AXLE 100MM X 100MM WITH 2030MM [80"] F-F (TRACK)	2
12	AAB-015-10106	U-BOLT SQ 7/8 X 4W X 8L UNF GRD 8	8
13	AAA-000-00106	PLT BRACE MNT AXLE 10BOLT 3/4T	4
14	AAB-015-20029	NUT HEX COUPLING 7/8 X 2-1/2LG -14 UNF	16
15	AAB-015-30027	WSHR FLAT 7/8 HARDENED	16
16	AAB-015-10136	BOLT HEX 1 X 5 1/2 UNC GRD 8	4
17	AAB-015-20034	JAM NUT HEX 1 UNC GRD 8	4
18	AAB-008-00031	FIT GREASE NIPPLE X 2 MNPT	2
19	AAB-004-00180	SPACER NYLATRON NSM / SL - 2-7/8 X 6 X 3/8T	8
20	AAB-015-10056	BOLT HEX 3/8 X 1 UNC GRD 2	8
21	AAB-015-30017	WSHR LOCK 3/8	8



NOTE:

BASED ON MIXER SERIAL, HD TRAILERS CAN EITHER CONTAIN WELDED OR CASTED WALKING BEAM COMPONENTS.

CHECK WITH OUR PARTS DEPARTMENT TO MAKE SURE THE CORRECT PARTS ARE ORDERED

DR Jan .v. Ee

DAT 10/31/2012

MAT

TOLERANCES (UNLESS SPECIFIED OTHERWISE)
 FRACTIONAL ± 1/16"
 DEC X.X ± 0.1"
 DEC X.XX ± 0.06"
 DEC X.XXX ± 0.031"
 ANGULAR ± 0.5°

JAY-LOR
 Fabricating Inc

UNITS	PAPER A	SHEET 1 OF 1	R#	DATE	DESCRIPTION
-------	---------	--------------	----	------	-------------

DR CK

FILE NO AAA-054-00133.idw

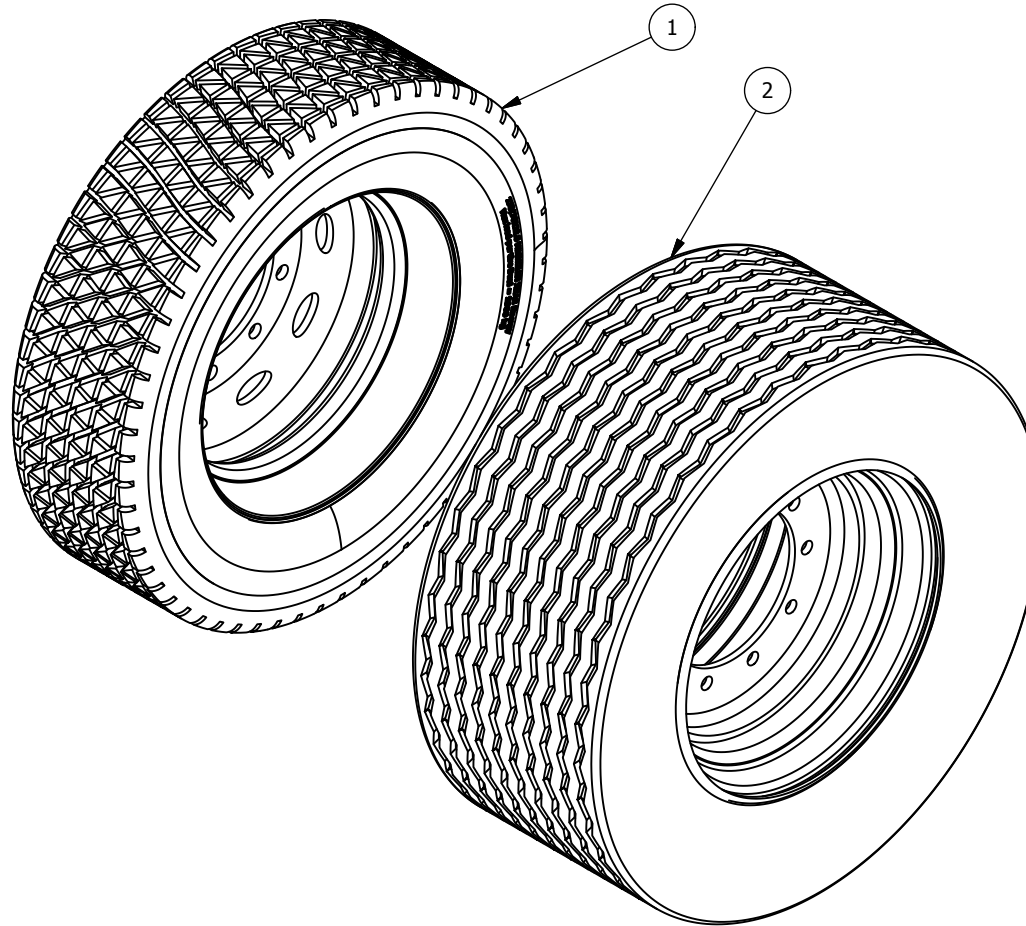
TITLE HD LOWER WALKING BEAM ASSY (WELDED PARTS)

CONFIDENTIAL: THESE DRAWINGS AND COPIES THEREOF REMAIN THE PROPERTY OF JAY-LOR FABRICATING INC. ANY PERSON FOUND UNLAWFULLY USING, DISTRIBUTING, OR IN POSSESSION OF THE ABOVE WILL BE PROSECUTED

NOTE:

- * LOAD CAPACITY IS BASED ON THE PRESSURE AND SPEED
- * TREAD PATTERN AND MANUFACTURER CAN DIFFER
- * ALL TWIN HD MODELS USE 10 BOLT WHEELS WITH 335 MM BOLT CIRCLE AND 281 MM PILOT

Parts List			
ITE	PART NUMBER	TITLE	QTY
1	AAB-004-00213	275/70R22.5 TIRE & WHL	1
2	AAB-004-00124	TIRE AND RIM 445/50R22.5	1



Tire & wheel Specifications

Size	O.D. (mm)	Max. Capacity (kg/lbs)	Pressure (psi)	Max. Speed (km/h)	Rim Size	Tire Part #	Wheel Part #	Assembly #	Fits
445/50R22.5	1003	4625/10200	120	121	13 X 22.5	AAB-004-00123	AAB-004-00122	AAB-004-00124	4850 HD & 41000 HD
275/70R22.5	970	2900/6940	120	100	8.25 X 22.5	AAB-004-00212	AAB-004-00211	AAB-004-00213	41250 HD

DR Jan .v. Ee

DAT 9/20/2012

MAT

TOLERANCES (UNLESS SPECIFIED OTHERWISE)
 FRACTIONAL ± 1/16"
 DEC X.X ± 0.1"
 DEC X.XX ± 0.06"
 DEC X.XXX ± 0.031"
 ANGULAR ± 0.5°



UNITS PAPER A SHEET 1 OF 1 R# DATE DESCRIPTION DR CK

TITLE HD SERIES TIRE & WHEEL PART NUMBERS

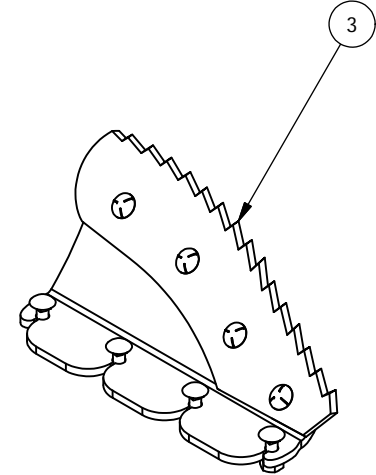
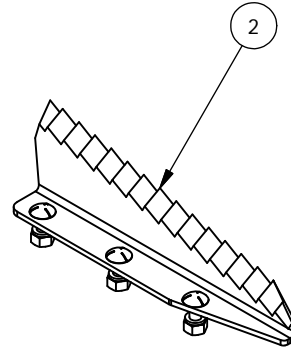
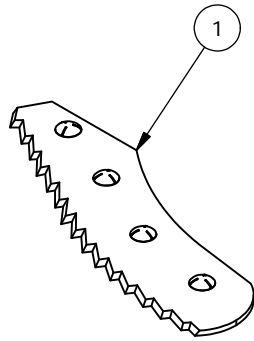
FILE NO AAA-054-00125.idw

CONFIDENTIAL: THESE DRAWINGS AND COPIES THEREOF REMAIN THE PROPERTY OF JAY-LOR FABRICATING INC. ANY PERSON FOUND UNLAWFULLY USING, DISTRIBUTING, OR IN POSSESSION OF THE ABOVE WILL BE PROSECUTED

J. 005 – AUGER PARTS**Drawing Number Reference Chart:**

Part	Model		
	4850HD	41000HD	41250HD
Knife Options	AAA-054-00055		
Auger Ordering Guide	AAA-054-00056		
Complete Auger Kits	AAA-054-00054		
Auger Replacement Parts	AAA-054-00026		

Parts List			
ITEM	PART NUMBER	TITLE	QTY
1	AAA-005-00226	KIT AUGER KNIFE AND BOLTS	10
2	AAA-005-00225	KIT VERTICAL KNIFE WITH HARDWARE	3
3	AAA-005-00224	KIT ALEXANDER KNIFE	3



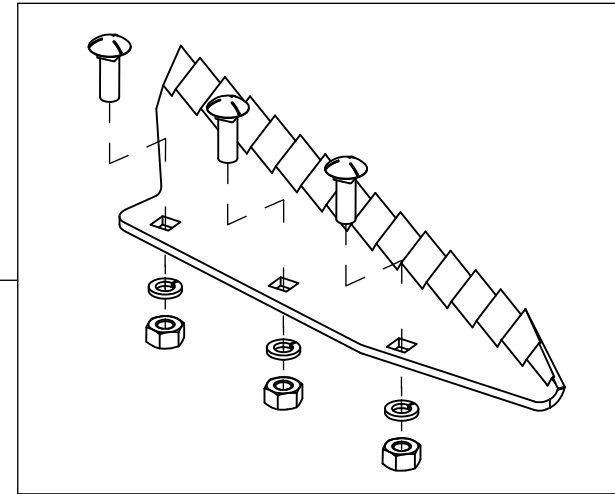
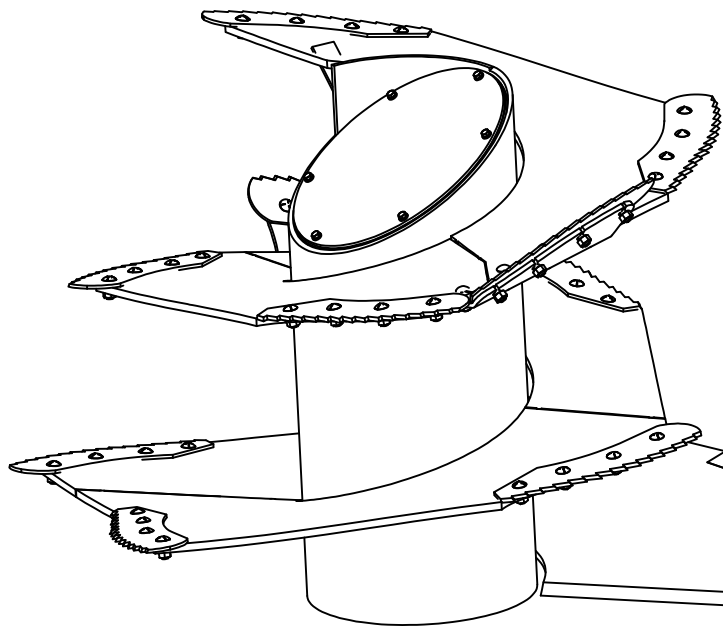
DR LVandergaag	TOLERANCES (UNLESS SPECIFIED OTHERWISE) FRACTIONAL ± 1/16" DEC X.X ± 0.1" DEC X.XX ± 0.06" DEC X.XXX ± 0.031" ANGULAR ± 0.5°	JAY•LOR Fabricating Inc
DAT 2/7/2011		
MAT		

UNITS	PAPER A	SHEET 1 OF 4	R#	DATE	DESCRIPTION	DR	CK
-------	---------	--------------	----	------	-------------	----	----

TITLE 4000 SERIES KNIFE OPTIONS

FILE NO AAA-054-00055.idw

CONFIDENTIAL- THESE DRAWINGS AND COPIES THEREOF REMAIN THE PROPERTY OF JAY-LOR FABRICATING INC. ANY PERSON FOUND UNLAWFULLY USING, DISTRIBUTING, OR IN POSSESSION OF THE ABOVE WILL BE PROSECUTED

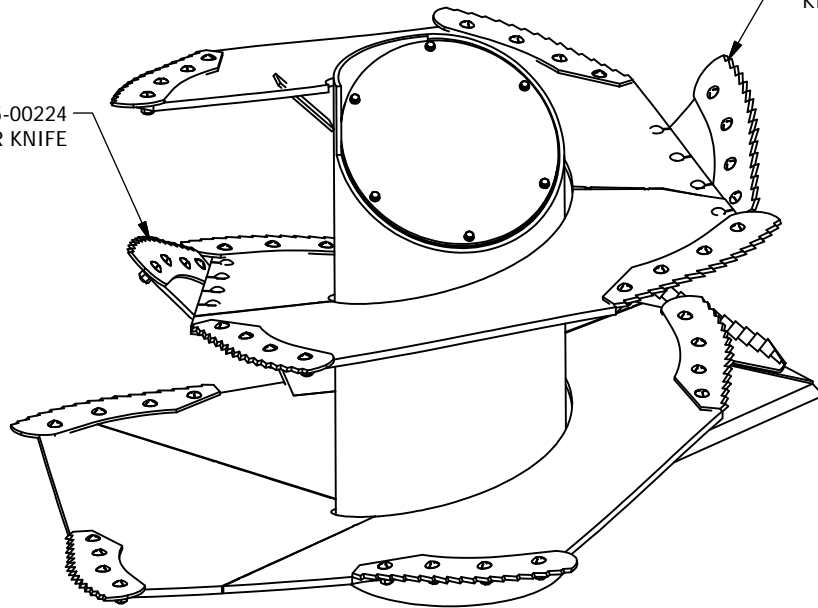


AAA-005-00225
KIT VERTICAL KNIFE WITH HARDWARE

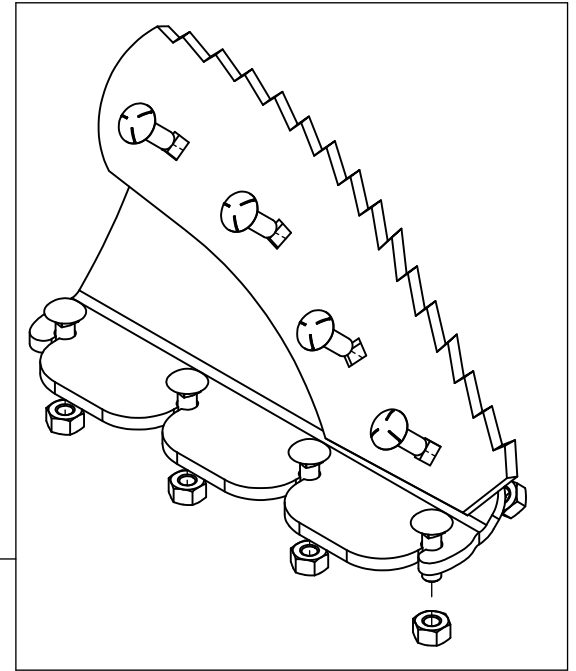
AAA-005-00225
KIT VERTICAL KNIFE WITH HARDWARE

UNITS	PAPER A	SHEET 2 OF 4	R#	DATE	DESCRIPTION	DR	CK	MAT	DR LMV DAT 2/7/2011	TOLERANCES (UNLESS SPECIFIED OTHERWISE) FRACTIONAL ± 1/16" DEC X.X ± 0.1" DEC X.XX ± 0.06" DEC X.XXX ± 0.031" ANGULAR ± 0.5°	JAY•LOR Fabricating Inc
TITLE KIT VERTICAL KNIFE WITH HARDWARE						FILE NO AAA-054-00055.idw		CONFIDENTIAL: THESE DRAWINGS AND COPIES THEREOF REMAIN THE PROPERTY OF JAY-LOR FABRICATING INC. ANY PERSON FOUND UNLAWFULLY USING, DISTRIBUTING, OR IN POSSESSION OF THE ABOVE WILL BE PROSECUTED			

AAA-005-00224
KIT ALEXANDER KNIFE



AAA-005-00224
KIT ALEXANDER KNIFE



UNITS	PAPER A	SHEET 3 OF 4	R#	DATE	DESCRIPTION
TITLE					KIT ALEXANDER KNIFE

FILE NO AAA-054-00055.idw

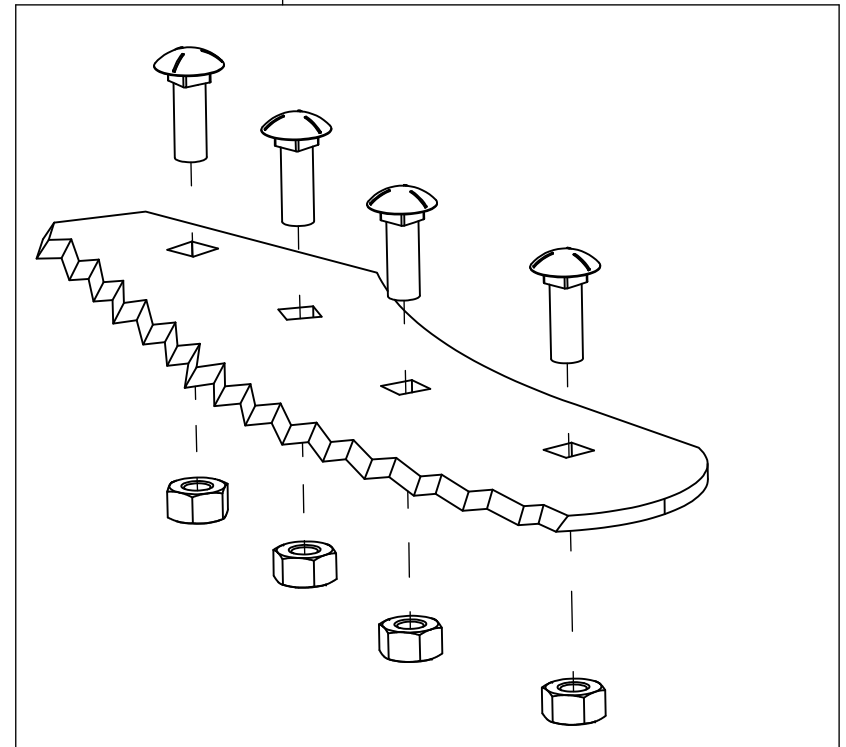
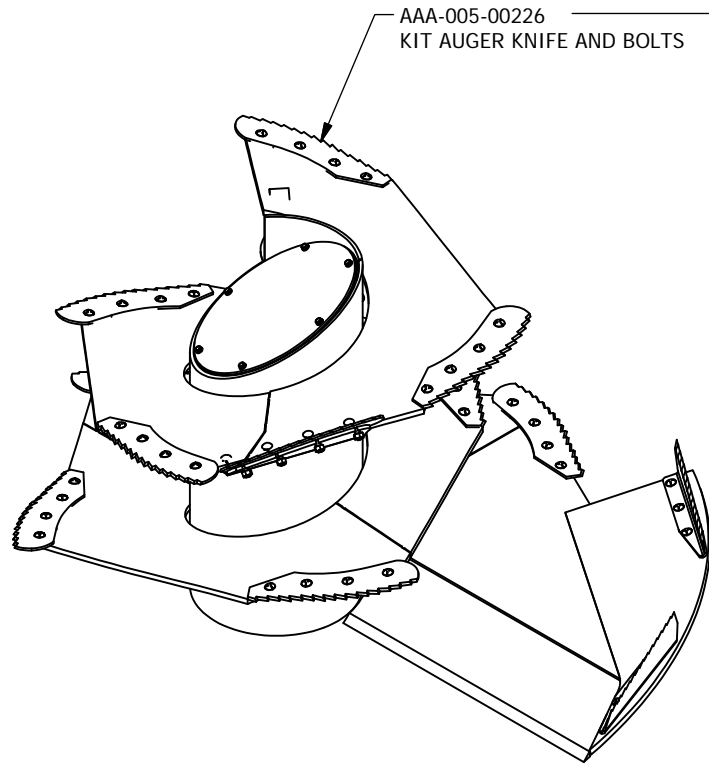
DR CK

DR	BVV
DAT	2/7/2011
MAT	

TOLERANCES (UNLESS SPECIFIED OTHERWISE)	
FRACTIONAL	± 1/16"
DEC X.X	± 0.1"
DEC X.XX	± 0.06"
DEC X.XXX	± 0.031"
ANGULAR	± 0.5°

JAY•LOR
Fabricating Inc

CONFIDENTIAL: THESE DRAWINGS AND COPIES THEREOF REMAIN THE PROPERTY OF JAY-LOR FABRICATING INC. ANY PERSON FOUND UNLAWFULLY USING, DISTRIBUTING, OR IN POSSESSION OF THE ABOVE WILL BE PROSECUTED

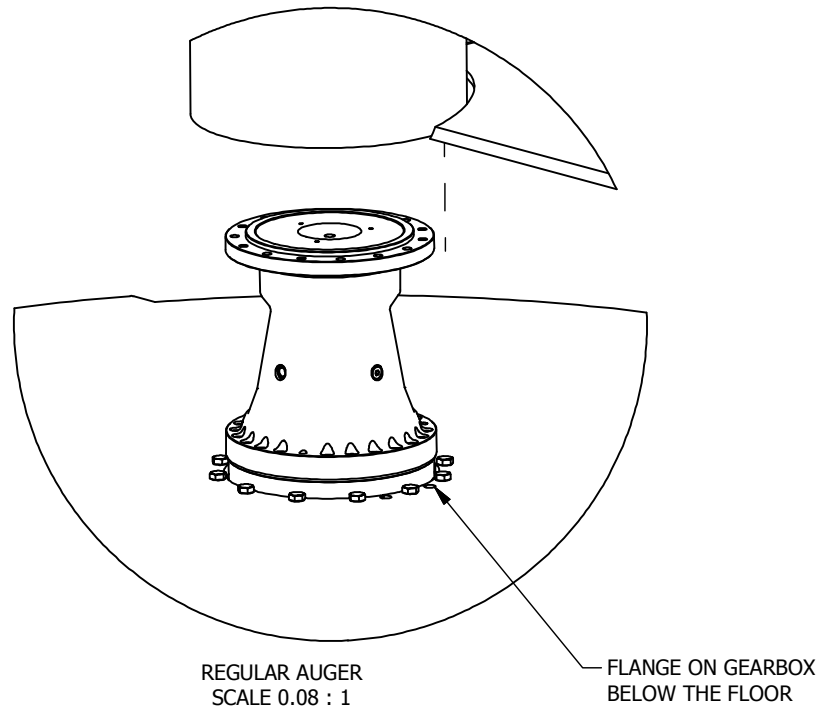
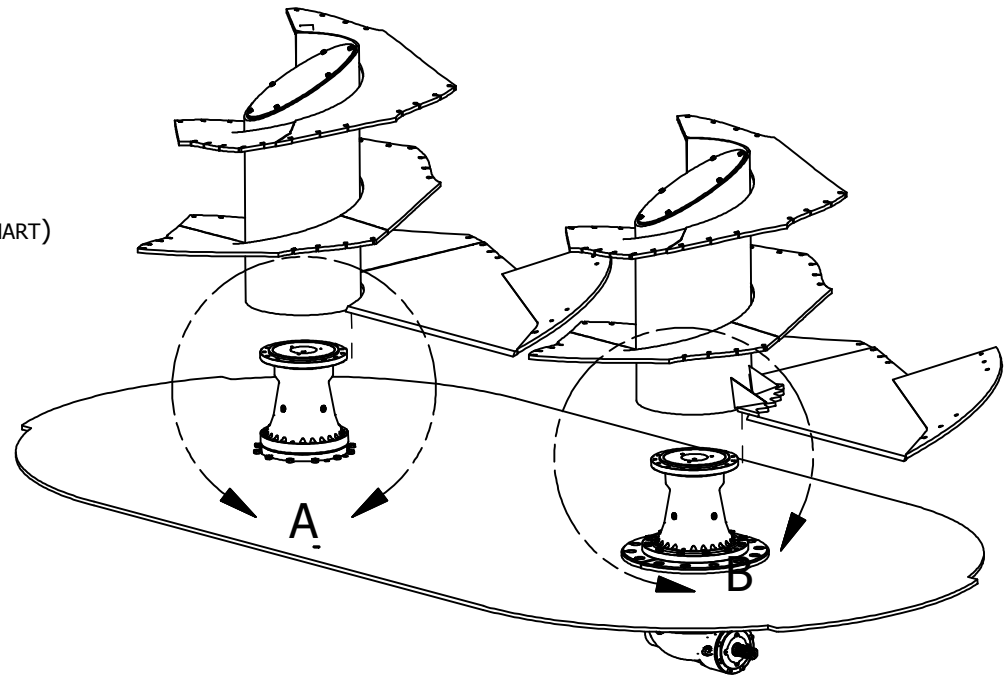


UNITS		PAPER A	SHEET 4 OF 4	R#	DATE	DESCRIPTION	DR	CK	MAT	DR LVandergaag DAT 2/7/2011	TOLERANCES (UNLESS SPECIFIED OTHERWISE) FRACTIONAL ± 1/16" DEC X.X ± 0.1" DEC X.XX ± 0.06" DEC X.XXX ± 0.031" ANGULAR ± 0.5°	JAY•LOR Fabricating Inc
TITLE 4000 SERIES KNIFE OPTIONS						FILE NO AAA-054-00055.idw	CONFIDENTIAL: THESE DRAWINGS AND COPIES THEREOF REMAIN THE PROPERTY OF JAY-LOR FABRICATING INC. ANY PERSON FOUND UNLAWFULLY USING, DISTRIBUTING, OR IN POSSESSION OF THE ABOVE WILL BE PROSECUTED					

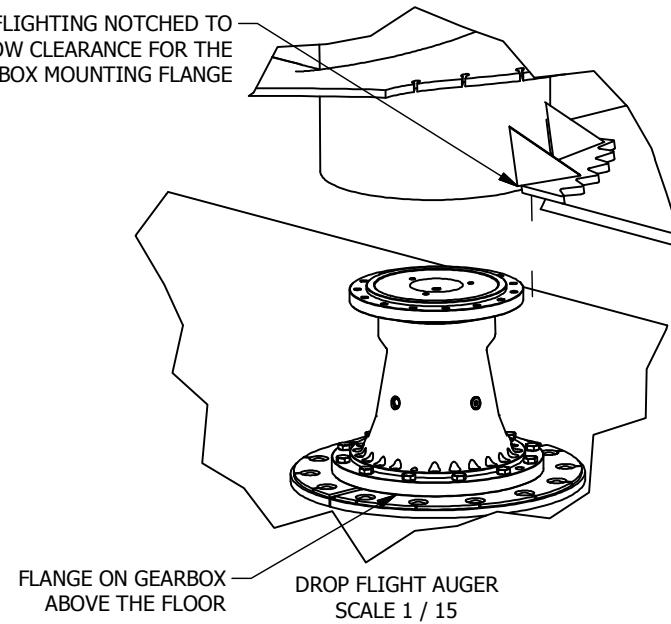
GUIDE TO ORDERING REPLACEMENT AUGERS

1. Determine which auger you require.
 - A). Regular or Dropped Flight (See Figure 1 and Figure 2)
 - B). Size of Auger (See JAYLOR MODEL # AND AUGER SIZE REFERENCE CHART)

JAYLOR CURRENTLY OFFERS 3000 SERIES AND 4000 SERIES AUGER FOR NEW AND REPLACEMENT AUGER SALES.
PLEASE CONSULT YOUR LOCAL DEALER TO DETERMINE WHICH AUGER IS BEST FOR YOUR APPLICATION.



AUGER FLIGHTING NOTCHED TO ALLOW CLEARANCE FOR THE GEARBOX MOUNTING FLANGE



DR	LVandergaag	TOLERANCES (UNLESS SPECIFIED OTHERWISE) FRACTIONAL ± 1/16" DEC X.X ± 0.1" DEC X.XX ± 0.06" DEC X.XXX ± 0.031" ANGULAR ± 0.5°	JAY•LOR Fabricating Inc
DAT	2/8/2011		
MAT			

UNITS	PAPER A	SHEET 1 OF 1	R#	DATE	DESCRIPTION	DR	CK
TITLE GUIDE TO ORDERING A REPLACEMENT AUGER						FILE NO	AAA-054-00056.idw

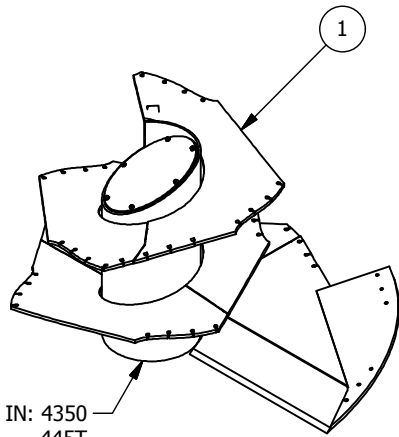
CONFIDENTIAL: THESE DRAWINGS AND COPIES THEREOF REMAIN THE PROPERTY OF JAY-LOR FABRICATING INC. ANY PERSON FOUND UNLAWFULLY USING, DISTRIBUTING, OR IN POSSESSION OF THE ABOVE WILL BE PROSECUTED

Jaylor Model # and Auger Size Reference Chart:

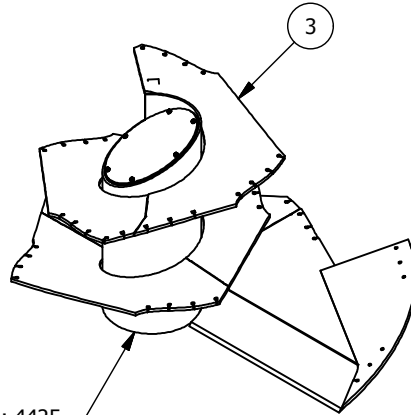
Series	Model	90"	96"	101.5"	101.5" LP
100	300	X			
	350	X			
	500		X		
	600		X		
1000	1300	X			
	1350	X			
	1500		X		
	1600		X		
2000	2300	X			
	2350	X			
	2425		X		
	2575			X	
	2700			X	
	2725	X			
	2875		X		
	21000			X	
3000	3300	X			
	3350	X			
	3425		X		
	3575			X	
	3650	X			
	3750	X			
	3875		X		
	31000			X	
4000	4350	X			
	4405				X
	4425		X		
	4575			X	
	4650	X			
	4750	X			
	4850		X		
	4990		X		
	4850 HD		X		
	41000 HD			X	
	41250 HD			X	
Total Mix	445T	X			
	LP505T				X
	525T		X		
	610T			X	
		↓	↓	↓	↓
4000 Series Slide Plate Auger	→	AAA-005-00060	AAA-005-00069	AAA-005-00063	AAA-005-00121
4000 Series Slide Plate Auger with Dropped Flight	→	AAA-005-00068*	AAA-005-00070*	N/A	N/A
4000 HD 3/4" Series Auger (41250)	→	AAA-005-00265	AAA-005-00238	AAA-005-00251 (AAA-005-00296)	AAA-005-00283
3000 HD 3/4" Series Auger	→	AAA-005-00270	AAA-005-00246	AAA-005-00249 (N/A for 41250)	N/A
3000 Series Auger	→	AAA-005-00093	AAA-005-00094	AAA-005-00099	AAA-005-00004
3000 Series Auger with Dropped Flight	→	AAA-005-00024*	AAA-005-00025*	AAA-005-00023*	N/A
Part Numbers with * are only applicable to 4000 series mixers.					
Machine Serial # must be provided with the order to guarantee the correct auger will be sent.					

Parts List

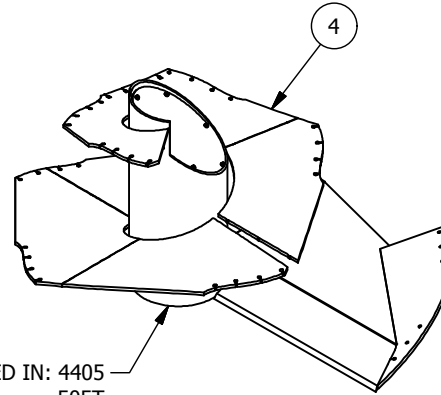
ITEM	PART NUMBER	TITLE	QTY
1	AAA-005-00060	4000 SERIES AUGER ASSY 90DIA	1
2	AAA-005-00063	4000 SERIES AUGER ASSY 101.5DIA	1
3	AAA-005-00069	4000 SERIES AUGER ASSY 96DIA	1
4	AAA-005-00121	4000 SERIES AUGER ASSY 101.5DIA LP	1



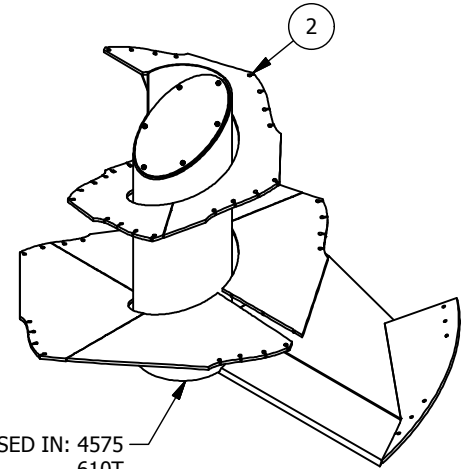
USED IN: 4350
445T
4650
4750



USED IN: 4425
525T
4850
4990

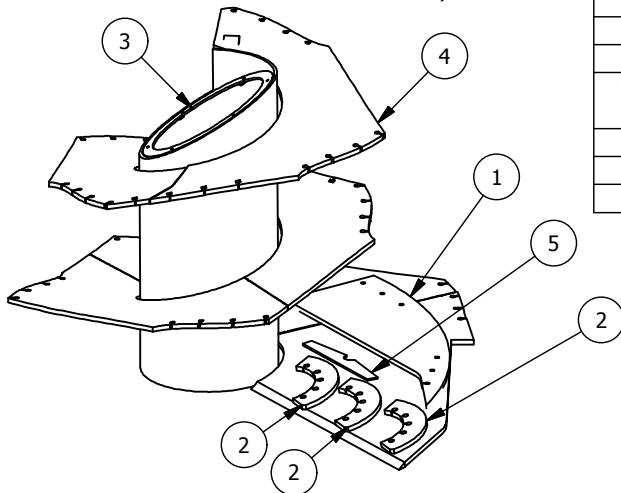


USED IN: 4405
505T



USED IN: 4575
610T

COMPLETE 4000 SERIES SLIDE PLATE AUGER
(90" AUGER SHOWN AS SHIPPED FOR PARTS ORDERS)



Parts List

ITEM	PART NUMBER	TITLE	QTY
1	AAA-005-00056	90DIA SLIDE PLATE	1
2	AAA-005-00061	FASTENING RING FOR PG1602	3
3	AAA-005-00066	4000 SERIES AUGER CAP	1
4	AAA-005-00129	4000 SERIES AUGER CUTTING 90DIA	1
5	AAA-051-00076	SLIDE PLT ANGLE JIG	1
6	AAB-015-10056	BOLT HEX 3/8 X 1 UNC GRD 2	6
7	AAB-015-30017	WSHR LOCK 3/8	6

NOTE:

ALL 4000 SERIES AUGER SHIPPED AS PARTS ORDER REQUIRE END USER / DEALER WELDING AND FITTING.

ALL PARTS ORDER AUGERS SHALL BE SHIPPED WITH TSB 050-014 TO ASSIST IN THE INSTALLATION OF THESE AUGERS

DR LVandergaag

DAT 2/4/2011

MAT

TOLERANCES (UNLESS SPECIFIED OTHERWISE)
FRACTIONAL ± 1/16"
DEC X.X ± 0.1"
DEC X.XX ± 0.06"
DEC X.XXX ± 0.031"
ANGULAR ± 0.5°

JAY-LOR
Fabricating Inc

UNITS PAPER A SHEET 1 OF 1 R# DATE DESCRIPTION

DR CK

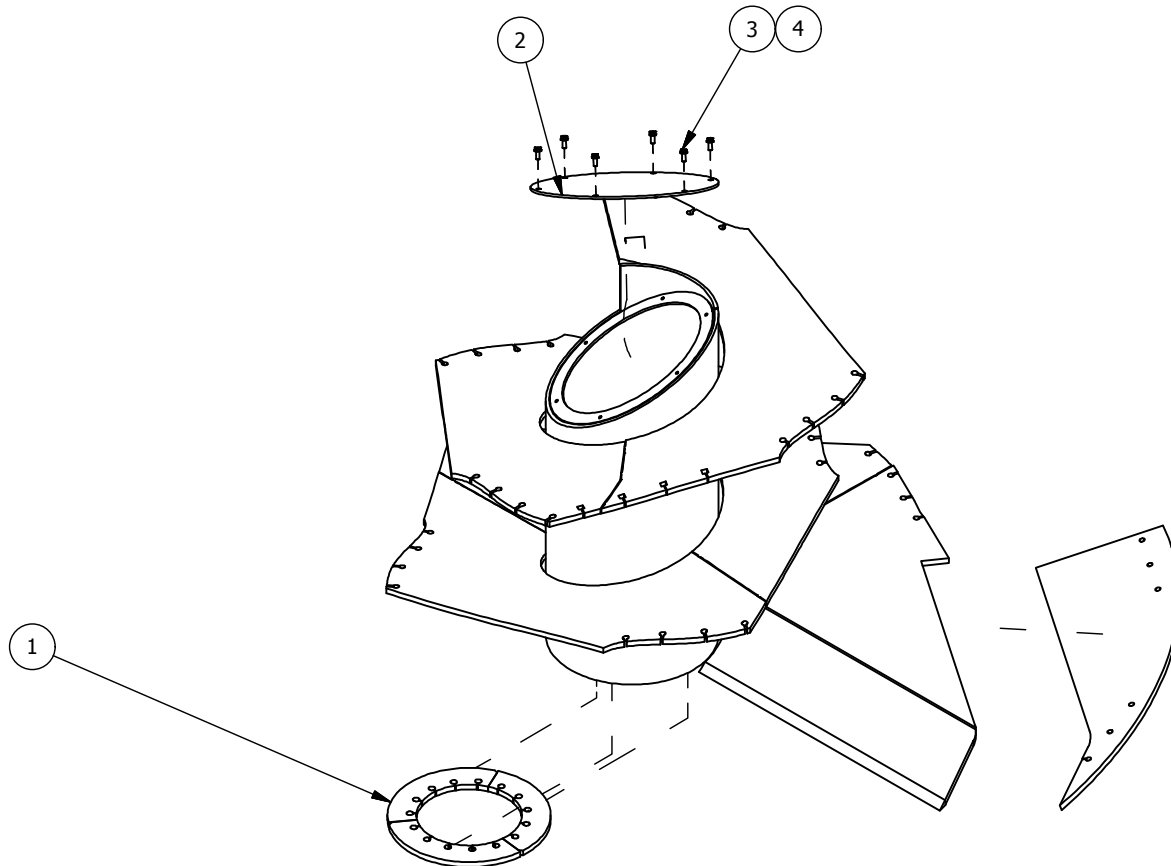
TITLE 4000 SERIES SLIDE PLATE AUGERS

FILE NO AAA-054-00054.idw

CONFIDENTIAL: THESE DRAWINGS AND COPIES THEREOF REMAIN THE PROPERTY OF JAY-LOR FABRICATING INC. ANY PERSON FOUND UNLAWFULLY USING, DISTRIBUTING, OR IN POSSESSION OF THE ABOVE WILL BE PROSECUTED

Parts List

ITE	PART NUMBER	TITLE	QTY
1	AAA-005-00062	AUGER RING WELDMENT (1602, 1603)	1
2	AAA-005-00066	4000 SERIES AUGER CAP	1
3	AAB-015-10056	BOLT HEX 3/8 X 1 UNC GRD 2	6
4	AAB-015-30017	WSHR LOCK 3/8	6



DR LMV
 DAT 6/9/2009
 MAT

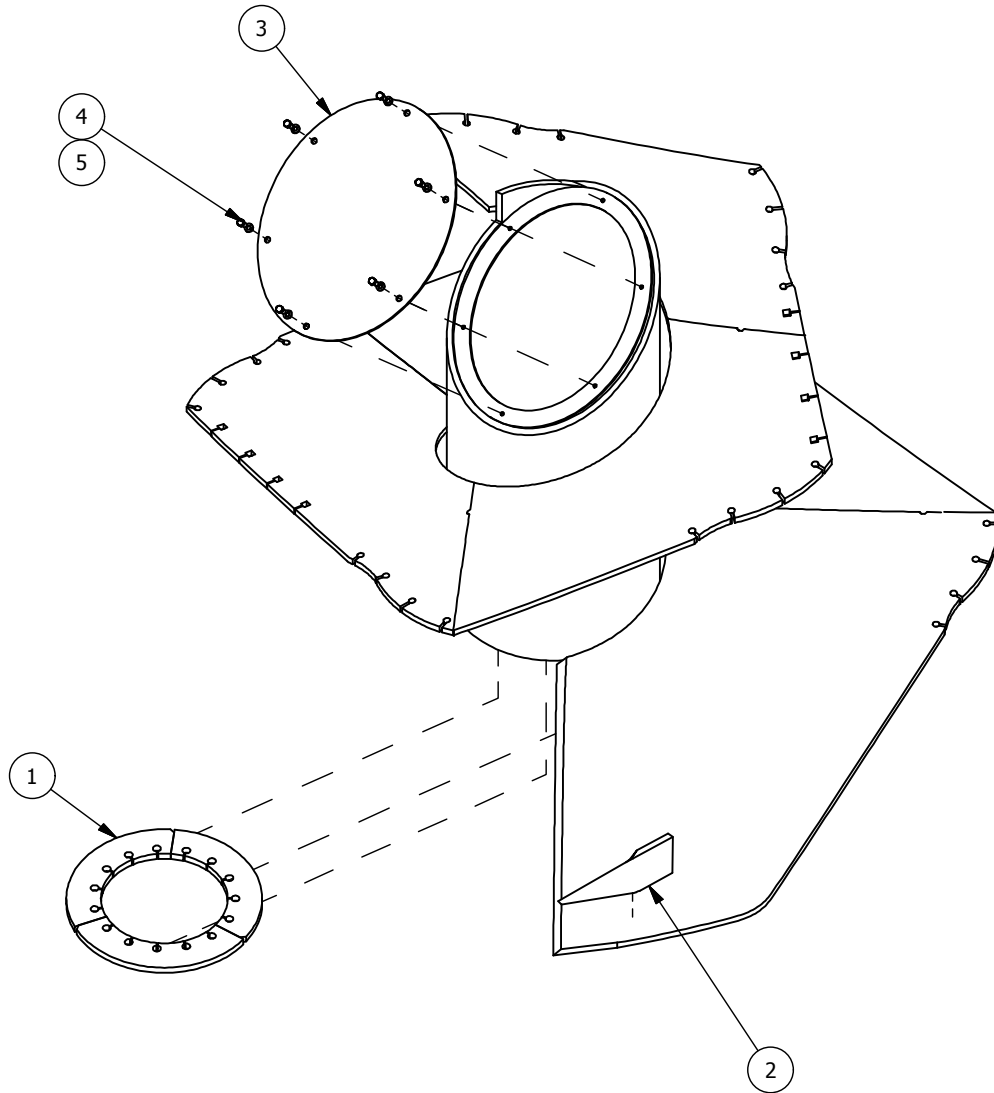
TOLERANCES (UNLESS SPECIFIED OTHERWISE)
 FRACTIONAL ± 1/16"
 DEC X.X ± 0.1"
 DEC X.XX ± 0.06"
 DEC X.XXX ± 0.031"
 ANGULAR ± 0.5°

JAY•LOR
 Fabricating Inc

UNITS	PAPER A	SHEET 1 OF 1	R#	DATE	DESCRIPTION	DR	CK
TITLE					REPLACEMENT PARTS PRODUCTION AUGERS	FILE NO	AAA-054-00026.idw

CONFIDENTIAL: THESE DRAWINGS AND COPIES THEREOF REMAIN THE PROPERTY OF JAY-LOR FABRICATING INC. ANY PERSON FOUND UNLAWFULLY USING, DISTRIBUTING, OR IN POSSESSION OF THE ABOVE WILL BE PROSECUTED

Parts List			
ITEM	PART NUMBER	TITLE	QTY
1	AAA-005-00062	AUGER RING WELDMENT (1602, 1603)	1
2	AAA-005-00085	ANGLING BLADE	1
3	AAA-005-00086	3000 SERIES AUGER CAP	1
4	AAB-015-10056	BOLT HEX 3/8 X 1 UNC GRD 2	6
5	AAB-015-30017	WSHR LOCK 3/8	6



DR LMV
 DAT 11/1/2012
 MAT

TOLERANCES (UNLESS SPECIFIED OTHERWISE)
 FRACTIONAL ± 1/16"
 DEC X.X ± 0.1"
 DEC X.XX ± 0.06"
 DEC X.XXX ± 0.031"
 ANGULAR ± 0.5°

JAY•LOR
 Fabricating Inc

UNITS	PAPER A	SHEET 1 OF 1	R#	DATE	DESCRIPTION	DR	CK
-------	---------	--------------	----	------	-------------	----	----

TITLE REPLACEMENT PARTS PRODUCTION AUGERS

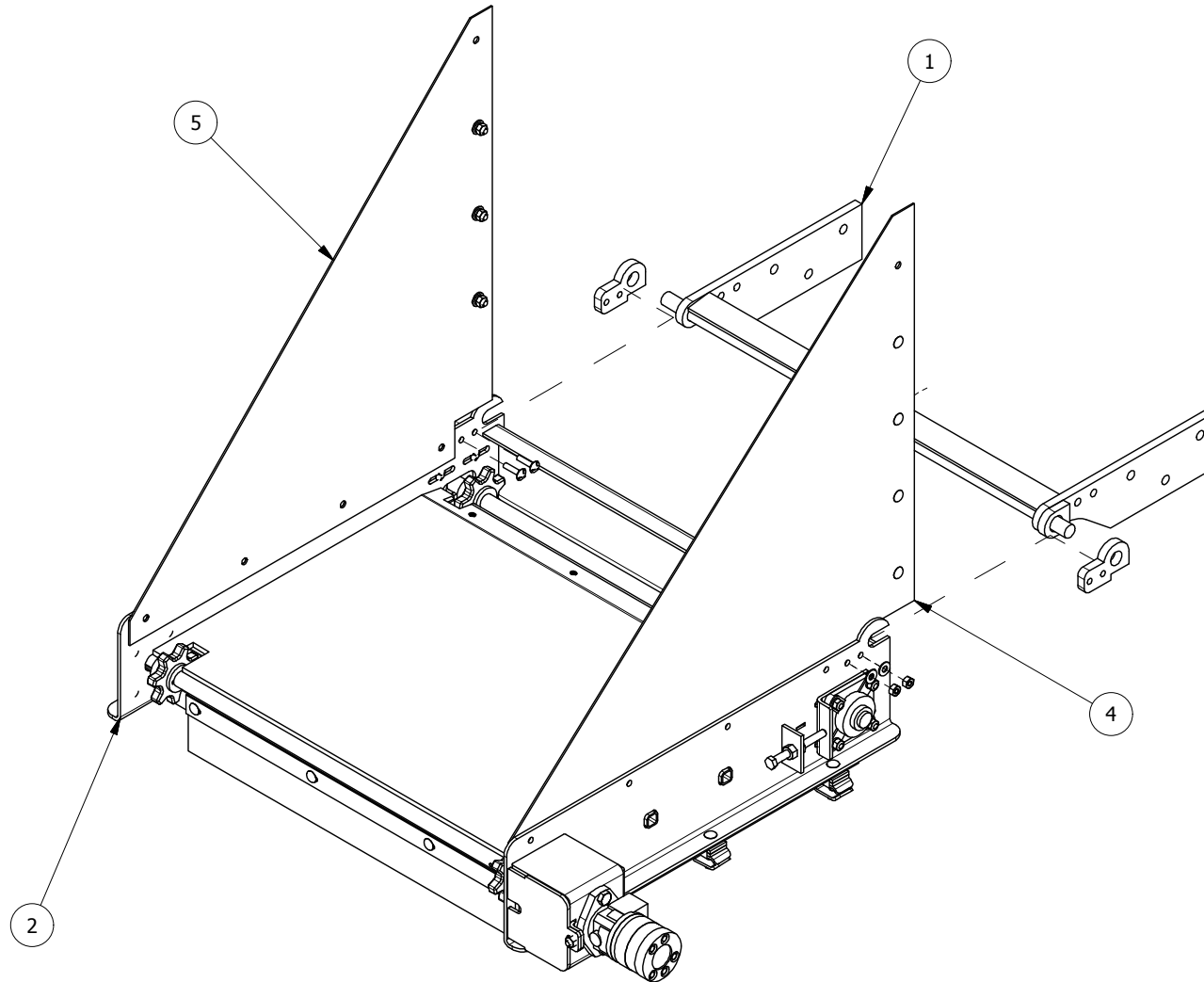
FILE NO AAA-054-00026(B).idw

CONFIDENTIAL: THESE DRAWINGS AND COPIES THEREOF REMAIN THE PROPERTY OF JAY-LOR FABRICATING INC. ANY PERSON FOUND UNLAWFULLY USING, DISTRIBUTING, OR IN POSSESSION OF THE ABOVE WILL BE PROSECUTED

K. 006 – CONVEYOR PARTS**Drawing Number Reference Chart:**

Part	Model		
	4850HD	41000HD	41250HD
36" Assembly		AAA-006-00191	
36" Base Assy		AAA-006-00603	
41" Wing		AAA-006-00129	
60" Wing		AAA-006-00803	
72" Wing		AAA-006-00127	
6' Flat Conveyor		AAA-006-00131	
6'41" Lth Base Assy		AAA-006-00059	
6'41" Rth Base Assy		AAA-006-00625	
6'41" Lth Assy		AAA-006-00992	
6'41" Rth Assy		AAA-006-00991	
6'60" Lth Base Assy		AAA-006-00842	
6'60" Rth Base Assy		AAA-006-00843	
6'60" Lth Assy		AAA-006-00994	
6'60" Rth Assy		AAA-006-00993	
6'72" Lth Base Assy		AAA-006-00012	
6'72" Rth Base Assy		AAA-006-00626	
6'72" Lth Assy		AAA-006-00996	
6'72" Rth Assy		AAA-006-00995	
8' Flat Conveyor		AAA-006-00988	
8' Flat Base Assy		AAA-006-00128	
9'2" Flat Conveyor		AAA-006-00990	
9'2" Flat Base Assy		AAA-006-00132	
Magnet Chute		AAA-006-00545	
Conveyor Driveshaft Assy		AAA-006-00617	
Conveyor Idler Shaft Assy		AAA-006-00618	
Dual Boot Kit		AAA-006-00490	
Conveyor Pivot Pin		AAA-006-00616	
Corner Door Chute		AAA-054-00016	

Parts List			
ITE	PART NUMBER	TITLE	QTY
1	AAA-006-00328	PIVOT PIN WELDMNT 3FT WING	1
2	AAA-006-00603	CNVR ASSY 36	1
3	AAA-009-00144	KIT HYD HOSE AND FIT FRT RTH 3FT CNVR	1
4	AAA-006-00190	RUBBER SHIELD 3FT CONVEYOR MOTOR SIDE	1
5	AAA-006-00187	RUBBER SHIELD FOR 3FT CONVEYOR WING OPPOSITE MOTOR SIDE	1



DR	BVV	TOLERANCES (UNLESS SPECIFIED OTHERWISE) FRACTIONAL ± 1/16" DEC X.X ± 0.1" DEC X.XX ± 0.06" DEC X.XXX ± 0.031" ANGULAR ± 0.5°	JAY•LOR Fabricating Inc
DAT	1/20/2012		
MAT			

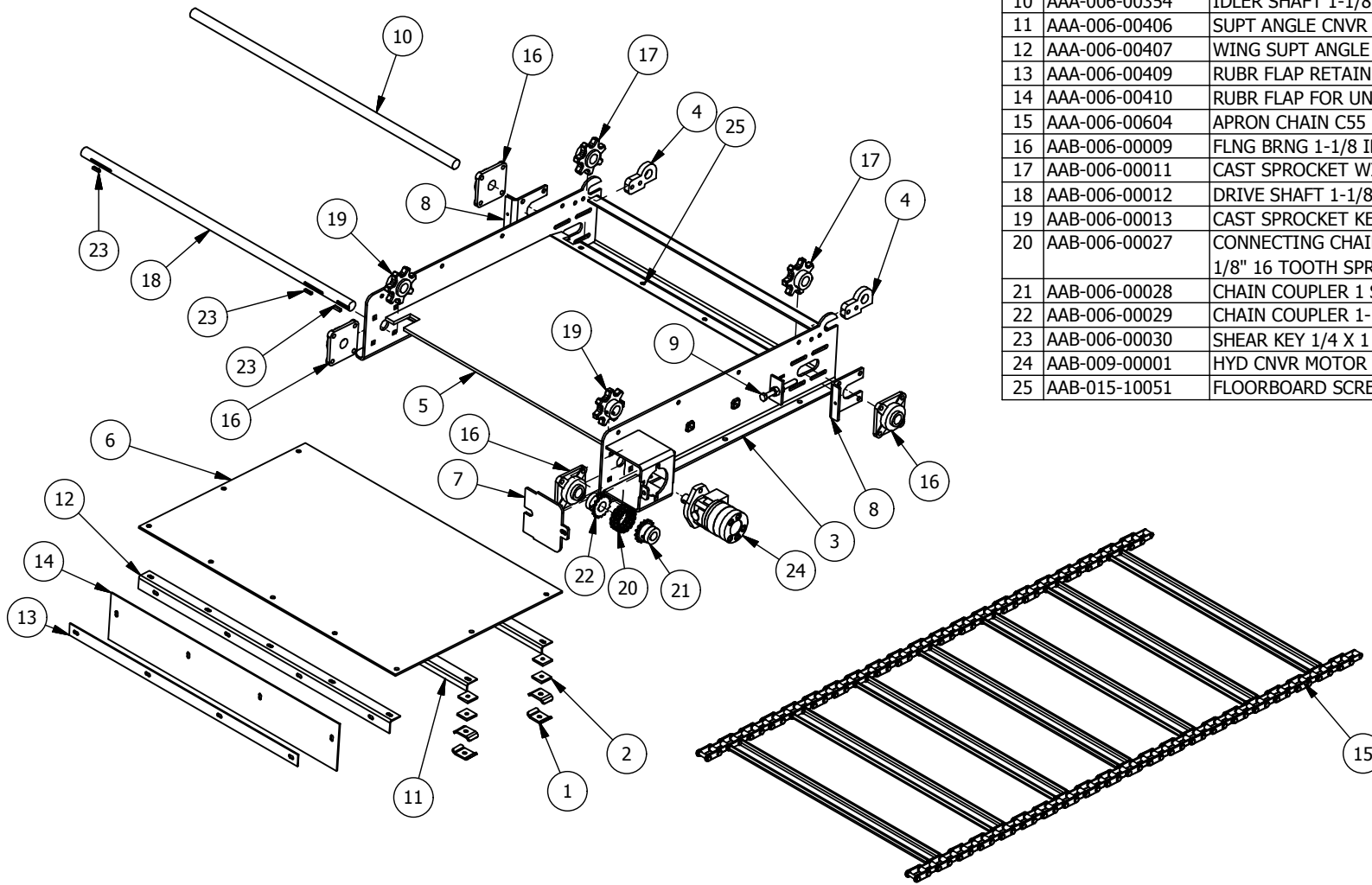
UNITS	PAPER A	SHEET 2 OF 2	R#	DATE	DESCRIPTION	DR	CK
-------	---------	--------------	----	------	-------------	----	----

TITLE CNVR ASSY 36

FILE NO AAA-006-00191.idw

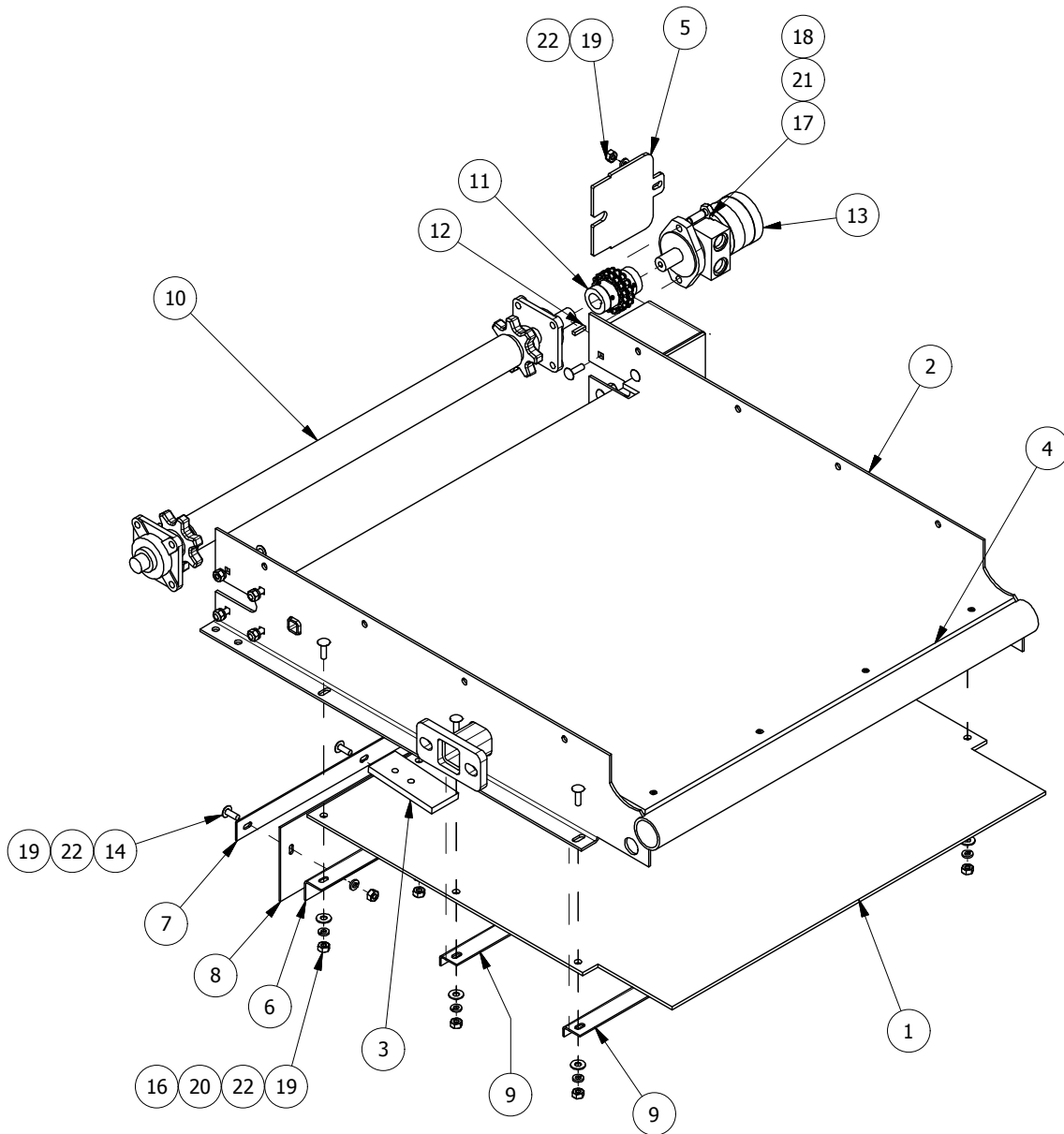
CONFIDENTIAL: THESE DRAWINGS AND COPIES THEREOF REMAIN THE PROPERTY OF JAY-LOR FABRICATING INC. ANY PERSON FOUND UNLAWFULLY USING, DISTRIBUTING, OR IN POSSESSION OF THE ABOVE WILL BE PROSECUTED

Parts List			
ITE	PART NUMBER	TITLE	QTY
1	AAA-002-00343	HYD HOSE CLIP	4
2	AAA-006-00135	PLASTIC SPCR 1/4T	4
3	AAA-006-00192	CNVR WING 3FT WELDMENT	1
4	AAA-006-00196	5/8T HINGE REINFORCEMENT FOR 36 CNVR WALL	2
5	AAA-006-00207	HDPE FLR 3FT WING CNVR 3/8T	1
6	AAA-006-00208	POLY UNDERSHIELD 3FT WING CNVR	1
7	AAA-006-00272	REMOVABLE CNVR MOTOR MNT COVER 3/16T	1
8	AAA-006-00351	CNVR FLNG BRNG HOLDER	2
9	AAA-006-00352	BOLT HEX FULL THREAD MOD 1/2 X 5 X 13	2
10	AAA-006-00354	IDLER SHAFT 1-1/8DIA X 40-1/4L COLD RLD	1
11	AAA-006-00406	SUPT ANGLE CNVR BOTTOM SHIELD	2
12	AAA-006-00407	WING SUPT ANGLE AND RUBR SHIELD MNT	1
13	AAA-006-00409	RUBR FLAP RETAINER FB	1
14	AAA-006-00410	RUBR FLAP FOR UNDERSIDE OF CNVR	1
15	AAA-006-00604	APRON CHAIN C55 3FT WING	1
16	AAB-006-00009	FLNG BRNG 1-1/8 ID	4
17	AAB-006-00011	CAST SPROCKET WITH SET SCRW FOR IDLER	2
18	AAB-006-00012	DRIVE SHAFT 1-1/8DIA X 41L COLD RLD	1
19	AAB-006-00013	CAST SPROCKET KEYED	2
20	AAB-006-00027	CONNECTING CHAIN, DOUBLE WIDTH, FOR 1" TO 1 1/8" 16 TOOTH SPROCKETS (# 40)	1
21	AAB-006-00028	CHAIN COUPLER 1 SHAFT	1
22	AAB-006-00029	CHAIN COUPLER 1-1/8 SHAFT	1
23	AAB-006-00030	SHEAR KEY 1/4 X 1	3
24	AAB-009-00001	HYD CNVR MOTOR 1 KEYED	1
25	AAB-015-10051	FLOORBOARD SCREW 1/4 X 1" TORX HEAD	4



UNITS	PAPER A	SHEET 3 OF 4	R#	DATE	DESCRIPTION	DR	CK
TITLE					CNVR ASSY 36	FILE NO	
					AAA-006-00603.idw		

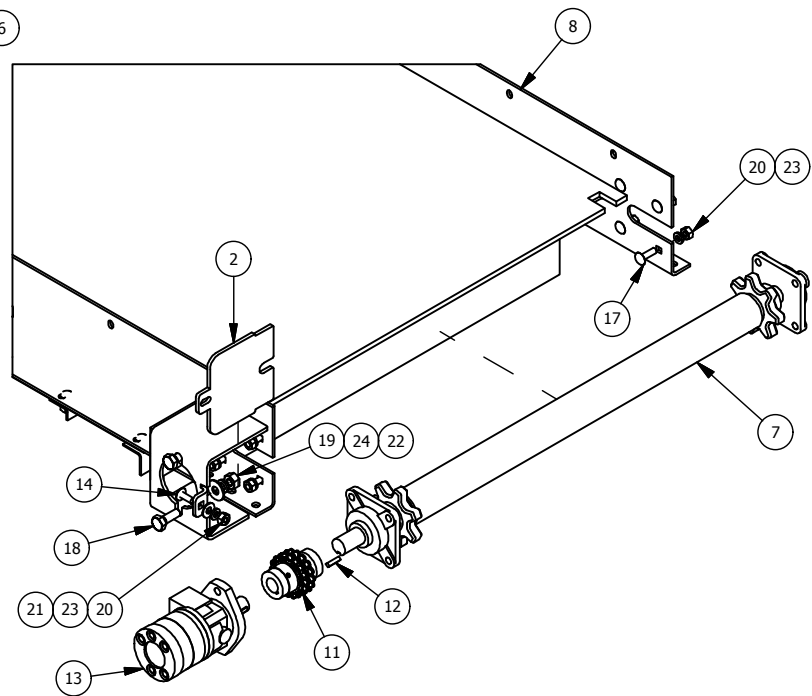
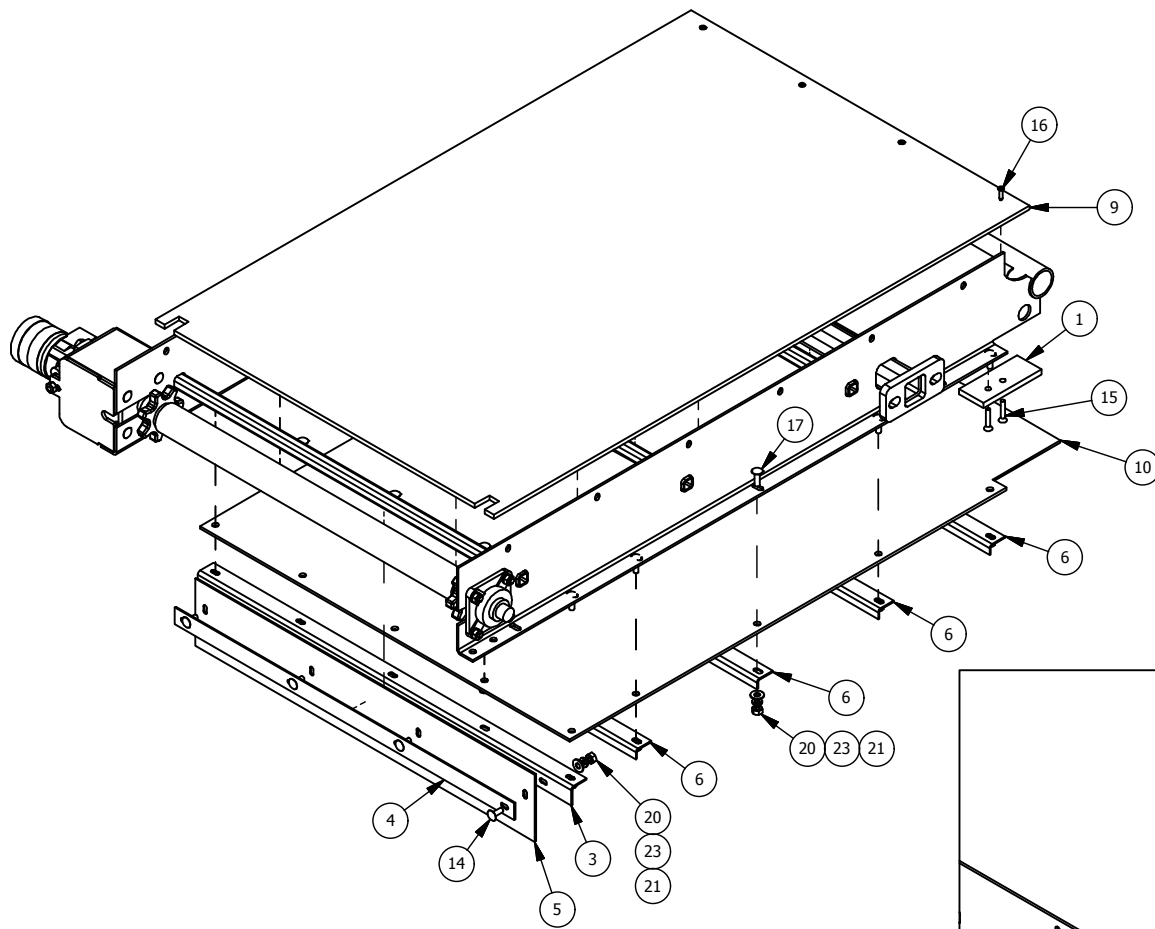
DR	BVV	TOLERANCES (UNLESS SPECIFIED OTHERWISE) FRACTIONAL ± 1/16" DEC X.X ± 0.1" DEC X.XX ± 0.06" DEC X.XXX ± 0.031" ANGULAR ± 0.5°	
DAT	1/23/2012		
MAT			
<small>CONFIDENTIAL: THESE DRAWINGS AND COPIES THEREOF REMAIN THE PROPERTY OF JAY-LOR FABRICATING INC. ANY PERSON FOUND UNLAWFULLY USING, DISTRIBUTING, OR IN POSSESSION OF THE ABOVE WILL BE PROSECUTED</small>			



Parts List			
ITEM	PART NUMBER	TITLE	QTY
1	AAA-006-00039	POLY UNDERSHIELD 41 WING CNVR	1
2	AAA-006-00049	CNVR WING 41 WELDMNT GALVANIZED	1
3	AAA-006-00068	WEAR PLT	2
4	AAA-006-00237	HDPE FLR 41 WING CNVR 3/8T	1
5	AAA-006-00272	GALVANIZING MOTOR COVER PLT 1/4T	1
6	AAA-006-00407	WING SUPT ANGLE AND RUBR SHIELD MNT	1
7	AAA-006-00409	RUBR FLAP RETAINER FB	1
8	AAA-006-00410	RUBR FLAP FOR UNDERSIDE OF CNVR	1
9	AAA-006-00421	SUPT ANGLE CNVR BOTTOM SHIELD	2
10	AAA-006-00617	CNVR DRIVESHAFT ASSY	1
11	AAB-006-00026	CNVR CHAIN COUPLER ASSY	1
12	AAB-006-00030	SHEAR KEY 1/4 X 1	1
13	AAB-009-00001	HYD CNVR MOTOR 1 KEYED	1
14	AAB-015-10028	BOLT CARRIAGE 3/8 X 1 UNC	4
15	AAB-015-10051	FLOORBOARD SCREW 1/4 X 1" TORX HEAD	8
16	AAB-015-10060	BOLT CARRIAGE 3/8 X 1-1/4 UNC GRD 2	18
17	AAB-015-10063	BOLT HEX 1/2 X 1-1/2 UNC GRD 5	2
18	AAB-015-20011	NUT HEX 1/2 UNC GRD 5	2
19	AAB-015-20017	NUT HEX 3/8 UNC GRD 2	22
20	AAB-015-30012	WSHR FLAT 3/8 USS	14
21	AAB-015-30013	WSHR FLAT 1/2 USS	2
22	AAB-015-30017	WSHR LOCK 3/8	22
23	AAB-015-30018	WSHR LOCK 1/2	2

UNITS EACH	PAPER A	SHEET 1 OF 2	R#	DATE	DESCRIPTION	DR	CK
TITLE CNVR WING ASSY 41					FILE NO AAA-006-00129.idw		

DR BCN	TOLERANCES (UNLESS SPECIFIED OTHERWISE) FRACTIONAL ± 1/16" DEC X.X ± 0.1" DEC X.XX ± 0.06" DEC X.XXX ± 0.031" ANGULAR ± 0.5°	
DAT 5/31/2007		
MAT		
<small>CONFIDENTIAL: THESE DRAWINGS AND COPIES THEREOF REMAIN THE PROPERTY OF JAY-LOR FABRICATING INC. ANY PERSON FOUND UNLAWFULLY USING, DISTRIBUTING, OR IN POSSESSION OF THE ABOVE WILL BE PROSECUTED</small>		



Parts List			
ITEM	PART NUMBER	TITLE	QTY
1	AAA-006-00068	WEAR PLT	2
2	AAA-006-00272	GALVANIZING MOTOR COVER PLT 1/4T	1
3	AAA-006-00407	WING SUPT ANGLE AND RUBR SHIELD MNT	1
4	AAA-006-00409	RUBR FLAP RETAINER FB	1
5	AAA-006-00410	RUBR FLAP FOR UNDERSIDE OF CNVR	1
6	AAA-006-00421	SUPT ANGLE CNVR BOTTOM SHIELD	4
7	AAA-006-00617	CNVR DRIVESHAFT ASSY	1
8	AAA-006-00824	CNVR WING 5FT WELDMENT GALVANIZED	1
9	AAA-006-00826	HDPE FLR 5FT WING CNVR 3/8T	1
10	AAA-006-00827	POLY UNDERSHIELD 5FT WING CNVR	1
11	AAB-006-00026	CNVR CHAIN COUPLER ASSY	1
12	AAB-006-00030	SHEAR KEY 1/4 X 1	1
13	AAB-009-00001	HYD CNVR MOTOR 1 KEYED	1
14	AAB-015-10028	BOLT CARRIAGE 3/8 X 1 UNC	5
15	AAB-015-10031	BOLT TORX 5/16 X 1 1/2 UNC	4
16	AAB-015-10051	FLOORBOARD SCREW 1/4 X 1" TORX HEAD	4
17	AAB-015-10060	BOLT CARRIAGE 3/8 X 1-1/4 UNC GRD 2	21
18	AAB-015-10063	BOLT HEX 1/2 X 1-1/2 UNC GRD 5	2
19	AAB-015-20011	NUT HEX 1/2 UNC GRD 5	2
20	AAB-015-20017	NUT HEX 3/8 UNC GRD 2	26
21	AAB-015-30012	WSHR FLAT 3/8 USS	18
22	AAB-015-30013	WSHR FLAT 1/2 USS	2
23	AAB-015-30017	WSHR LOCK 3/8	26
24	AAB-015-30018	WSHR LOCK 1/2	2

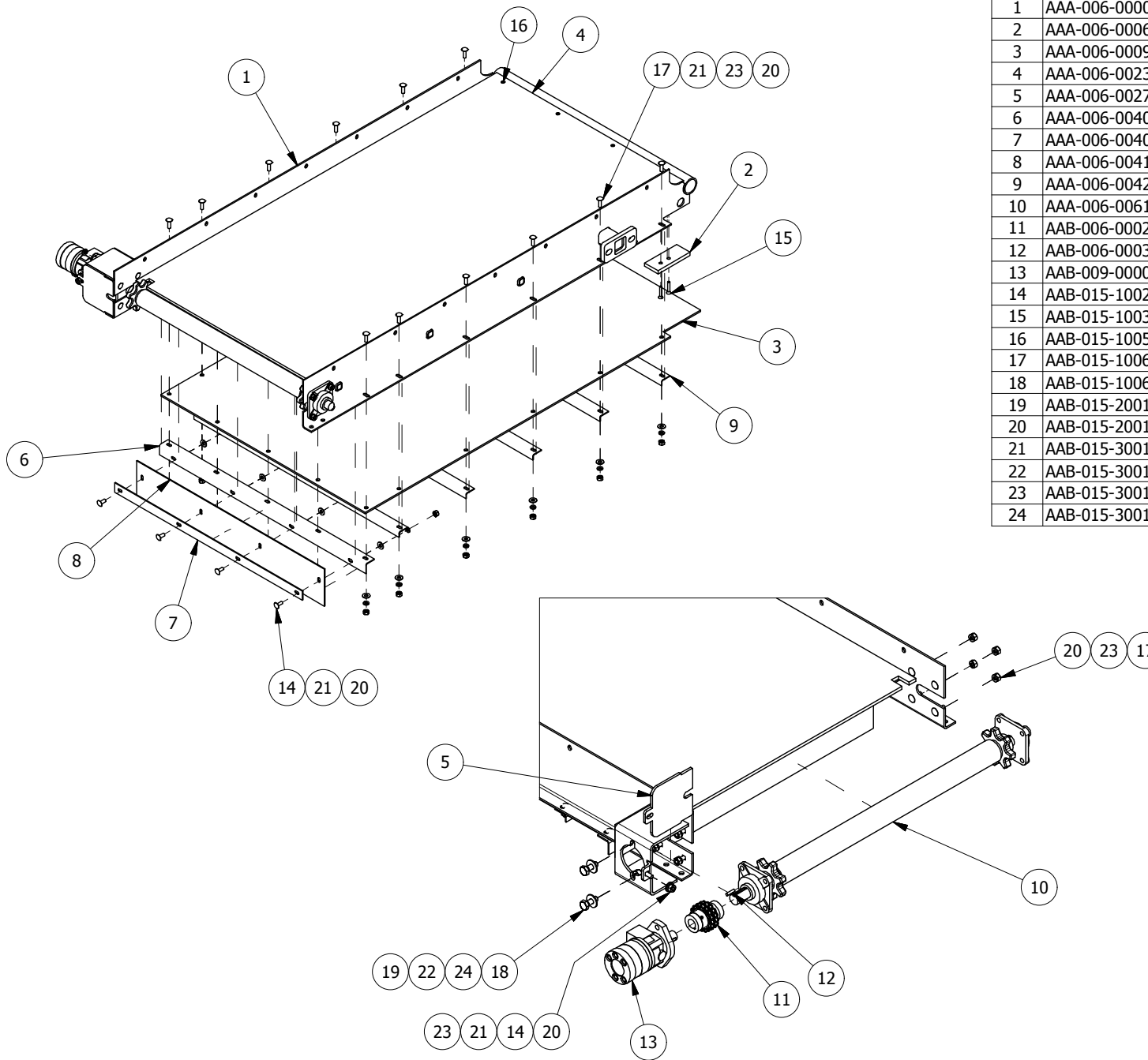
UNITS	PAPER A	SHEET 1 OF 1	R#	DATE	DESCRIPTION	DR	CK
-------	---------	--------------	----	------	-------------	----	----

TITLE CNVR WING ASSY 5FT

FILE NO AAA-006-00803.idw

DR	GM	TOLERANCES (UNLESS SPECIFIED OTHERWISE) FRACTIONAL ± 1/16" DEC X.X ± 0.1" DEC X.XX ± 0.06" DEC X.XXX ± 0.031" ANGULAR ± 0.5°	
DAT	10/3/2011		
MAT			

CONFIDENTIAL: THESE DRAWINGS AND COPIES THEREOF REMAIN THE PROPERTY OF JAY-LOR FABRICATING INC. ANY PERSON FOUND UNLAWFULLY USING, DISTRIBUTING, OR IN POSSESSION OF THE ABOVE WILL BE PROSECUTED



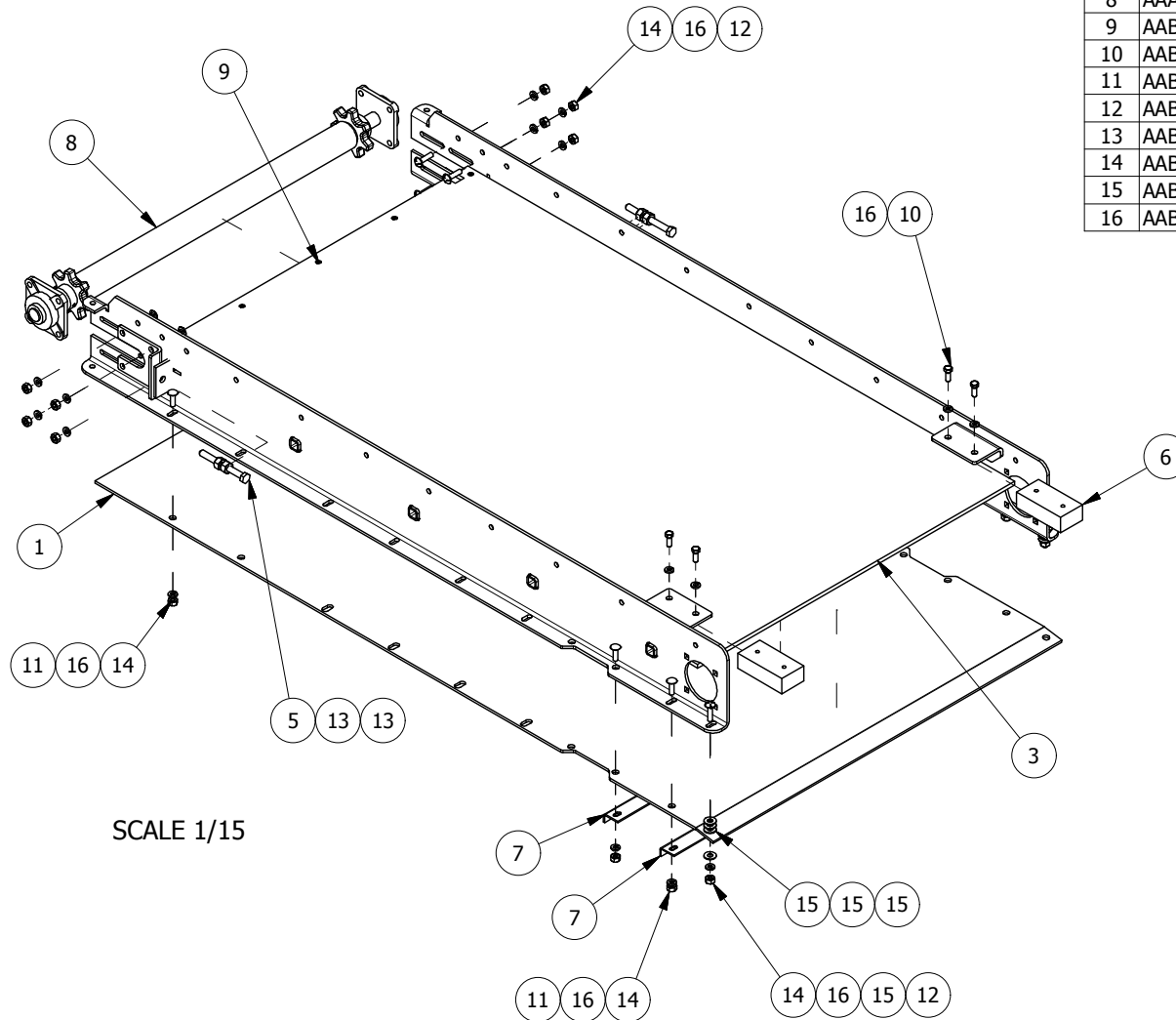
Parts List			
ITEM	PART NUMBER	TITLE	QTY
1	AAA-006-00007	CNVR WING 6FT WELDMENT GALVANIZED	1
2	AAA-006-00068	WEAR PLT	2
3	AAA-006-00098	POLY UNDERSHIELD 6FT WING CNVR	1
4	AAA-006-00238	HDPE FLR 6FT WING CNVR 3/8T	1
5	AAA-006-00272	GALVANIZING MOTOR COVER PLT 1/4T	1
6	AAA-006-00407	WING SUPT ANGLE AND RUBR SHIELD MNT	1
7	AAA-006-00409	RUBR FLAP RETAINER FB	1
8	AAA-006-00410	RUBR FLAP FOR UNDERSIDE OF CNVR	1
9	AAA-006-00421	SUPT ANGLE CNVR BOTTOM SHIELD	5
10	AAA-006-00617	CNVR DRIVESHAFT ASSY	1
11	AAB-006-00026	CNVR CHAIN COUPLER ASSY	1
12	AAB-006-00030	SHEAR KEY 1/4 X 1	1
13	AAB-009-00001	HYD CNVR MOTOR 1 KEYED	1
14	AAB-015-10028	BOLT CARRIAGE 3/8 X 1 UNC	5
15	AAB-015-10031	BOLT TORX 5/16 X 1 1/2 UNC	4
16	AAB-015-10051	FLOORBOARD SCREW 1/4 X 1" TORX HEAD	4
17	AAB-015-10060	BOLT CARRIAGE 3/8 X 1-1/4 UNC GRD 2	23
18	AAB-015-10063	BOLT HEX 1/2 X 1-1/2 UNC GRD 5	2
19	AAB-015-20011	NUT HEX 1/2 UNC GRD 5	2
20	AAB-015-20017	NUT HEX 3/8 UNC GRD 2	28
21	AAB-015-30012	WSHR FLAT 3/8 USS	20
22	AAB-015-30013	WSHR FLAT 1/2 USS	2
23	AAB-015-30017	WSHR LOCK 3/8	28
24	AAB-015-30018	WSHR LOCK 1/2	2

DR BCN	TOLERANCES (UNLESS SPECIFIED OTHERWISE) FRACTIONAL ± 1/16" DEC X.X ± 0.1" DEC X.XX ± 0.06" DEC X.XXX ± 0.031" ANGULAR ± 0.5°	JAY-LOR Fabricating Inc
DATE 5/22/2007		
MAT		
CONFIDENTIAL: THESE DRAWINGS AND COPIES THEREOF REMAIN THE PROPERTY OF JAY-LOR FABRICATING INC. ANY PERSON FOUND UNLAWFULLY USING, DISTRIBUTING, OR IN POSSESSION OF THE ABOVE WILL BE PROSECUTED		

UNITS EACH	PAPER A	SHEET 4 OF 4	R#	DATE	DESCRIPTION	DR	CK
TITLE CNVR WING ASSY 6FT					FILE NO AAA-006-00127.idw		

Parts List

ITEM	PART NUMBER	TITLE	QTY
1	AAA-006-00063	POLY UNDERSHIELD 6 FT FLAT CNVR	1
2	AAA-006-00069	6 FT FLAT CNVR WELDMNT GALVANIZED	1
3	AAA-006-00239	HDPE FLR 6FT FLAT CNVR 3/8T	1
4	AAA-006-00351	CNVR FLNG BRNG HOLDER	2
5	AAA-006-00352	BOLT HEX FULL THREAD MOD 1/2 X 5 X 13	2
6	AAA-006-00363	UPPER UHMW BLOCK	2
7	AAA-006-00406	SUPT ANGLE CNVR BOTTOM SHIELD	2
8	AAA-006-00618	CNVR IDLER SHAFT ASSY	1
9	AAB-015-10051	FLOORBOARD SCREW 1/4 X 1" TORX HEAD	5
10	AAB-015-10056	BOLT HEX 3/8 X 1 UNC GRD 2	4
11	AAB-015-10060	BOLT CARRIAGE 3/8 X 1-1/4 UNC GRD 2	6
12	AAB-015-10061	BOLT CARRIAGE 3/8 X 1-1/2 UNC GRD 5	10
13	AAB-015-20011	NUT HEX 1/2 UNC GRD 5	4
14	AAB-015-20017	NUT HEX 3/8 UNC GRD 2	16
15	AAB-015-30012	WSHR FLAT 3/8 USS	8
16	AAB-015-30017	WSHR LOCK 3/8	20



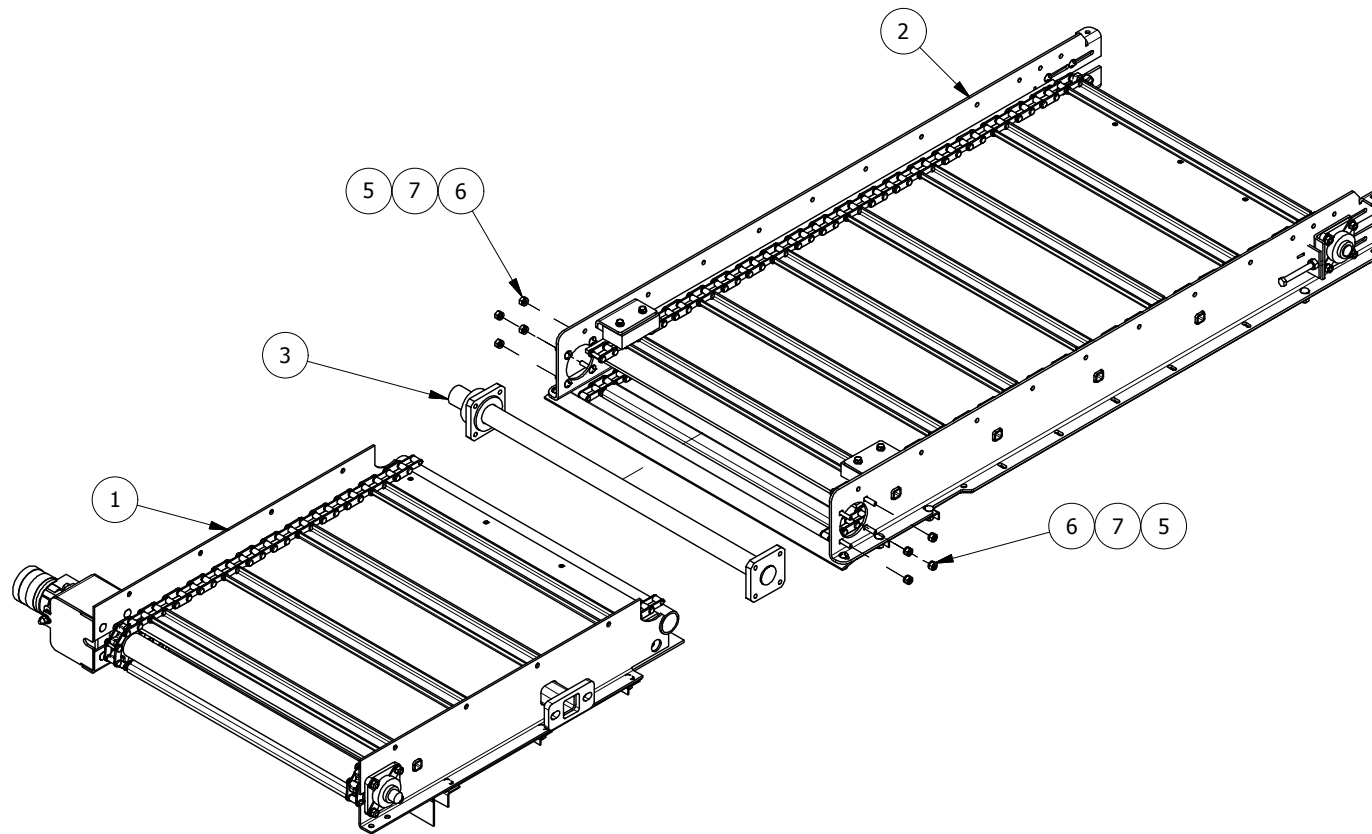
SCALE 1/15

UNITS EACH	PAPER A	SHEET 1 OF 2	R#	DATE	DESCRIPTION	DR	CK
					TITLE	6 FT FLAT CNVR ASSY	
					FILE NO	AAA-006-00131.idw	

DR BCN	TOLERANCES (UNLESS SPECIFIED OTHERWISE) FRACTIONAL ± 1/16" DEC X.X ± 0.1" DEC X.XX ± 0.06" DEC X.XXX ± 0.031" ANGULAR ± 0.5°	JAY-LOR Fabricating Inc
DAT 12/22/2004		
MAT		
CONFIDENTIAL: THESE DRAWINGS AND COPIES THEREOF REMAIN THE PROPERTY OF JAY-LOR FABRICATING INC. ANY PERSON FOUND UNLAWFULLY USING, DISTRIBUTING, OR IN POSSESSION OF THE ABOVE WILL BE PROSECUTED		

Parts List

ITEM	PART NUMBER	TITLE	QTY
1	AAA-006-00129	CNVR WING ASSY 41	1
2	AAA-006-00131	6 FT FLAT CNVR ASSY	1
3	AAA-006-00616	CNVR PIVOT PIN ASSY	1
4	AAB-006-00033	APRON CHAIN C55 W WITH 66 LINKS	1
5	AAB-015-10061	BOLT CARRIAGE 3/8 X 1-1/2 UNC GRD 5	8
6	AAB-015-20017	NUT HEX 3/8 UNC GRD 2	8
7	AAB-015-30017	WSHR LOCK 3/8	8



DR PJ Feige

DAT 6/5/2007

MAT

TOLERANCES (UNLESS SPECIFIED OTHERWISE)
 FRACTIONAL ± 1/16"
 DEC X.X ± 0.1"
 DEC X.XX ± 0.06"
 DEC X.XXX ± 0.031"
 ANGULAR ± 0.5°

JAY•LOR
 Fabricating Inc

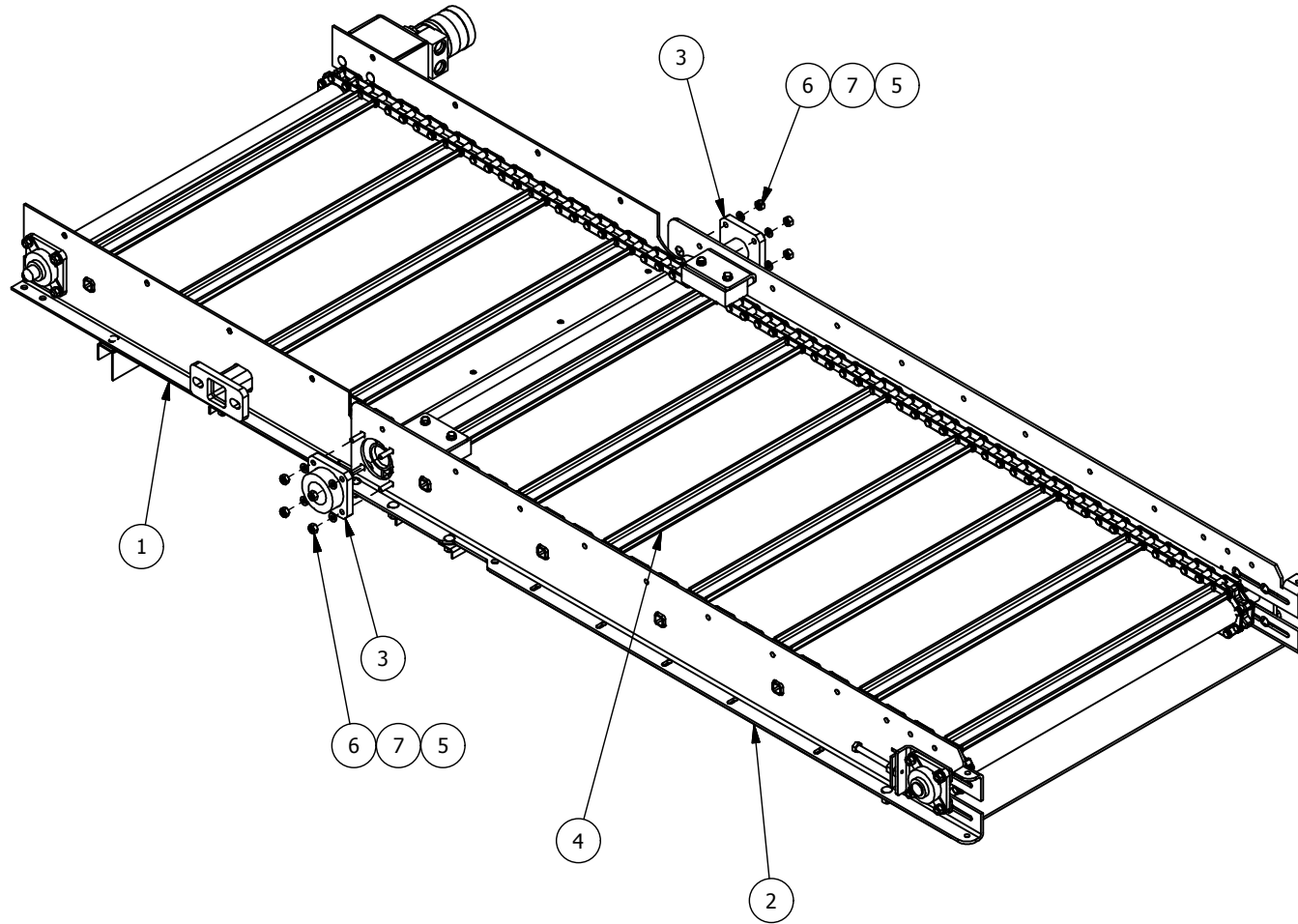
UNITS EACH PAPER A SHEET 1 OF 1 R# DATE DESCRIPTION DR CK

TITLE 6FT 41" LTH BASE ASSY

FILE NO AAA-006-00059.idw

CONFIDENTIAL: THESE DRAWINGS AND COPIES THEREOF REMAIN THE PROPERTY OF JAY-LOR FABRICATING INC. ANY PERSON FOUND UNLAWFULLY USING, DISTRIBUTING, OR IN POSSESSION OF THE ABOVE WILL BE PROSECUTED

Parts List			
ITEM	PART NUMBER	TITLE	QTY
1	AAA-006-00129	CNVR WING ASSY 41	1
2	AAA-006-00131	6 FT FLAT CNVR ASSY	1
3	AAA-006-00616	CNVR PIVOT PIN ASSY	1
4	AAB-006-00033	APRON CHAIN C55 W WITH 66 LINKS	1
5	AAB-015-10061	BOLT CARRIAGE 3/8 X 1-1/2 UNC GRD 5	8
6	AAB-015-20017	NUT HEX 3/8 UNC GRD 2	8
7	AAB-015-30017	WSHR LOCK 3/8	8



DR PJ Feige

DAT 9/28/2010

MAT

TOLERANCES (UNLESS SPECIFIED OTHERWISE)
 FRACTIONAL ± 1/16"
 DEC X.X ± 0.1"
 DEC X.XX ± 0.06"
 DEC X.XXX ± 0.031"
 ANGULAR ± 0.5°

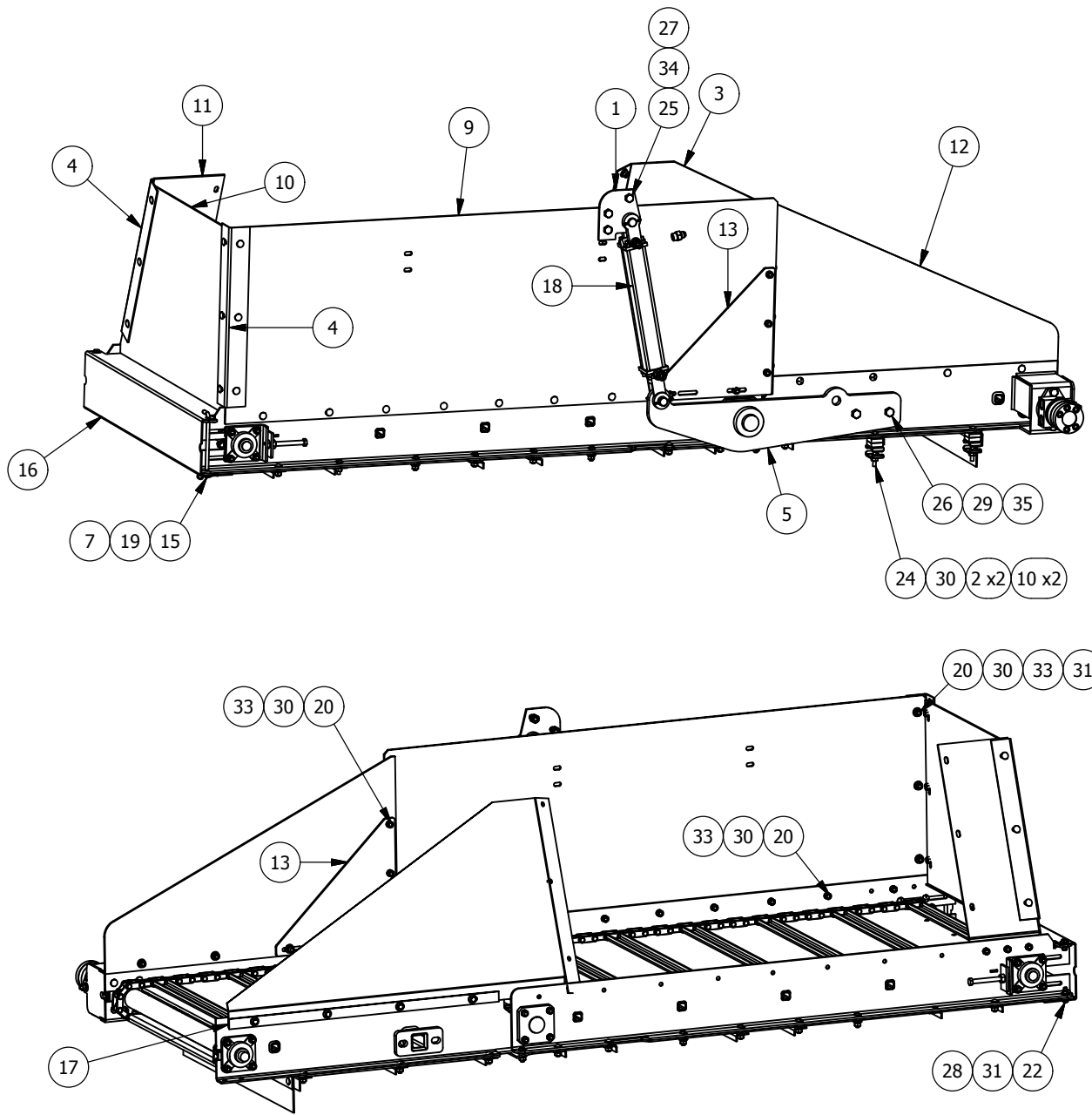
JAY•LOR
 Fabricating Inc

UNITS PAPER A SHEET 1 OF 1 R# DATE DESCRIPTION DR CK

TITLE 6FT 41" RTH BASE ASSY

FILE NO AAA-006-00625.idw

CONFIDENTIAL: THESE DRAWINGS AND COPIES THEREOF REMAIN THE PROPERTY OF JAY-LOR FABRICATING INC. ANY PERSON FOUND UNLAWFULLY USING, DISTRIBUTING, OR IN POSSESSION OF THE ABOVE WILL BE PROSECUTED

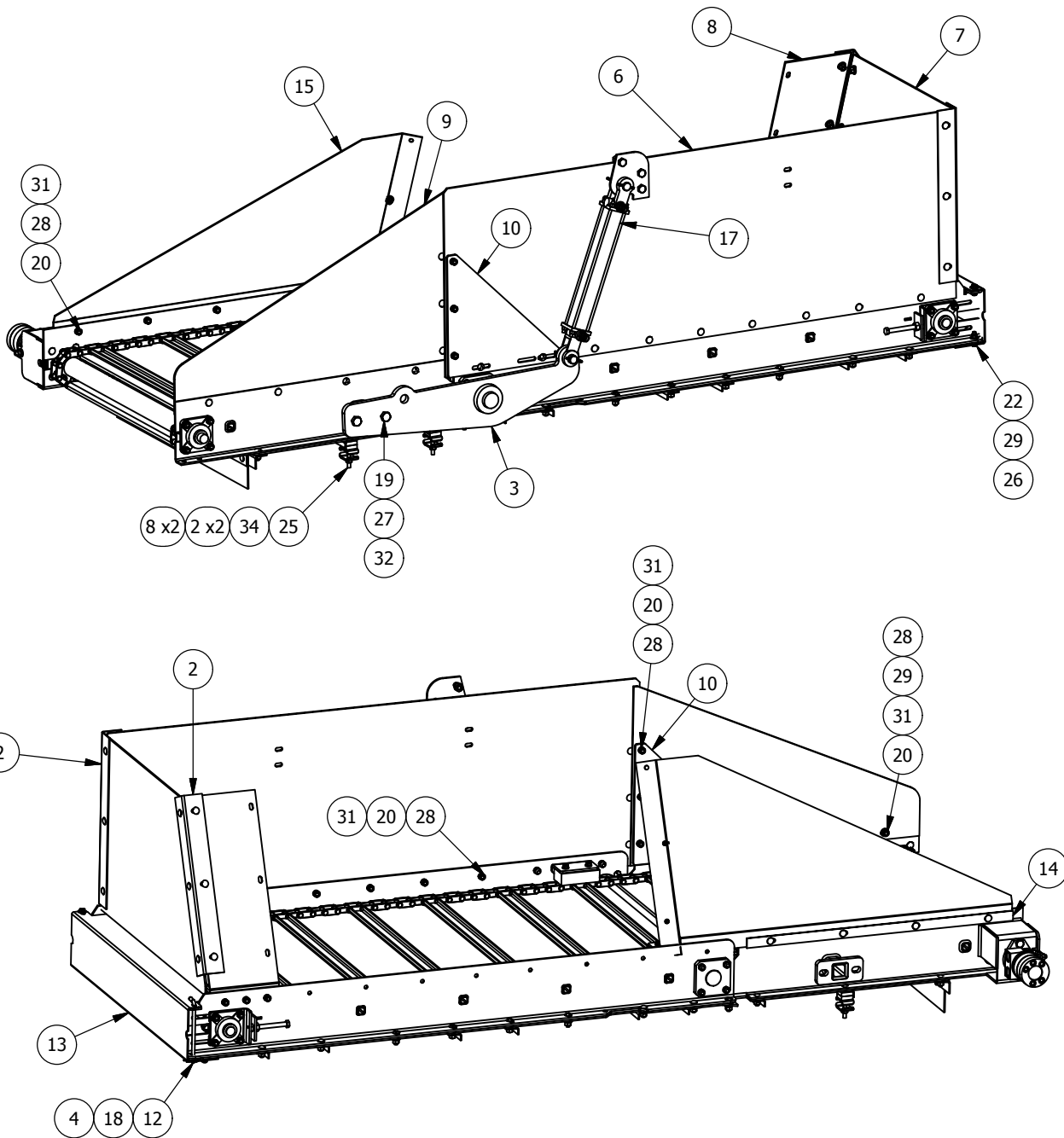


Parts List			
ITE	PART NUMBER	TITLE	QTY
1	AAA-002-00174	PLT SUPT VRTCL FRAME 6FT CNVR WING	1
2	AAA-002-00343	HYD HOSE CLIP	4
3	AAA-006-00048	RUBR WING SHIELD FOR LTH DISCHARGE	1
4	AAA-006-00054	CORNER ANGLE FOR CNVR SHIELDS	2
5	AAA-006-00057	CNVR LIFT ARM WELDMENT	1
6	AAA-006-00059	6FT 41" LTH BASE ASSY	1
7	AAA-006-00135	PLASTIC SPCR 1/4T	2
8	AAA-006-00223	PLASTIC SPCR 1/2T	4
9	AAA-006-00259	HDPE SHIELD FRT 6 FT FLAT 1/4T	1
10	AAA-006-00260	HDPE SHIELD CNVR 6FT FLAT END 1/4T	1
11	AAA-006-00261	HDPE SHIELD 6FT FLAT CNVR DRUM SIDE 1/4T	1
12	AAA-006-00262	HDPE SHIELD 41 CNVR WING 1/4T	1
13	AAA-006-00327	BRACE CNVR SHIELD 1/4T	2
14	AAA-006-00406	SUPT ANGLE CNVR BOTTOM SHIELD	4
15	AAA-006-00450	PIN BENT ADJUSTMENT 3/8 X 7-3/4	1
16	AAA-006-00451	CNVR BOOT WITH FB BRACES GALVANIZED	1
17	AAA-006-00527	FLAT BAR RUBBER BACKING 1/8T	1
18	AAA-009-00051	KIT HYD HOSE AND FIT FOR 6 FT 41 CNVR LTH	1
19	AAB-001-00019	PIN HTCH CLIP 1/8 X 2-9/16	1
20	AAB-015-10028	BOLT CARRIAGE 3/8 X 1 UNC	30
21	AAB-015-10056	BOLT HEX 3/8 X 1 UNC GRD 2	5
22	AAB-015-10059	BOLT HEX 3/8 X 1-1/2 UNC GRD 2	1
23	AAB-015-10061	BOLT CARRIAGE 3/8 X 1-1/2 UNC GRD 5	13
24	AAB-015-10062	BOLT CARRIAGE 3/8 X 4 UNC GRD 2	2
25	AAB-015-10063	BOLT HEX 1/2 X 1-1/2 UNC GRD 5	3
26	AAB-015-10068	BOLT HEX 5/8 X 2 UNC GRD 5	2
27	AAB-015-20011	NUT HEX 1/2 UNC GRD 5	3
28	AAB-015-20012	NUT HEX 3/8 LOCK NYLON GRD 2	2
29	AAB-015-20013	NUT HEX 5/8 UNC GRD 8	2
30	AAB-015-20017	NUT HEX 3/8 UNC GRD 2	52
31	AAB-015-30012	WSHR FLAT 3/8 USS	32
32	AAB-015-30015	WSHR FLAT 3/4 USS	2
33	AAB-015-30017	WSHR LOCK 3/8	50
34	AAB-015-30018	WSHR LOCK 1/2	3
35	AAB-015-30019	WSHR LOCK 5/8	2
36	AAB-015-40008	LOCKING PIN CAP	1

DR	LMV	TOLERANCES (UNLESS SPECIFIED OTHERWISE)	
DAT	7/11/2013	FRACTIONAL ± 1/16"	
MAT		DEC X.X ± 0.1" DEC X.XX ± 0.06" DEC X.XXX ± 0.031" ANGULAR ± 0.5°	

UNITS	PAPER A	SHEET 1 OF 1	R#	DATE	DESCRIPTION	DR	CK
TITLE 6FT 41IN LTH ASSY (PARTS ORDER)					FILE NO	AAA-006-00992.idw	

CONFIDENTIAL: THESE DRAWINGS AND COPIES THEREOF REMAIN THE PROPERTY OF JAY-LOR FABRICATING INC. ANY PERSON FOUND UNLAWFULLY USING, DISTRIBUTING, OR IN POSSESSION OF THE ABOVE WILL BE PROSECUTED



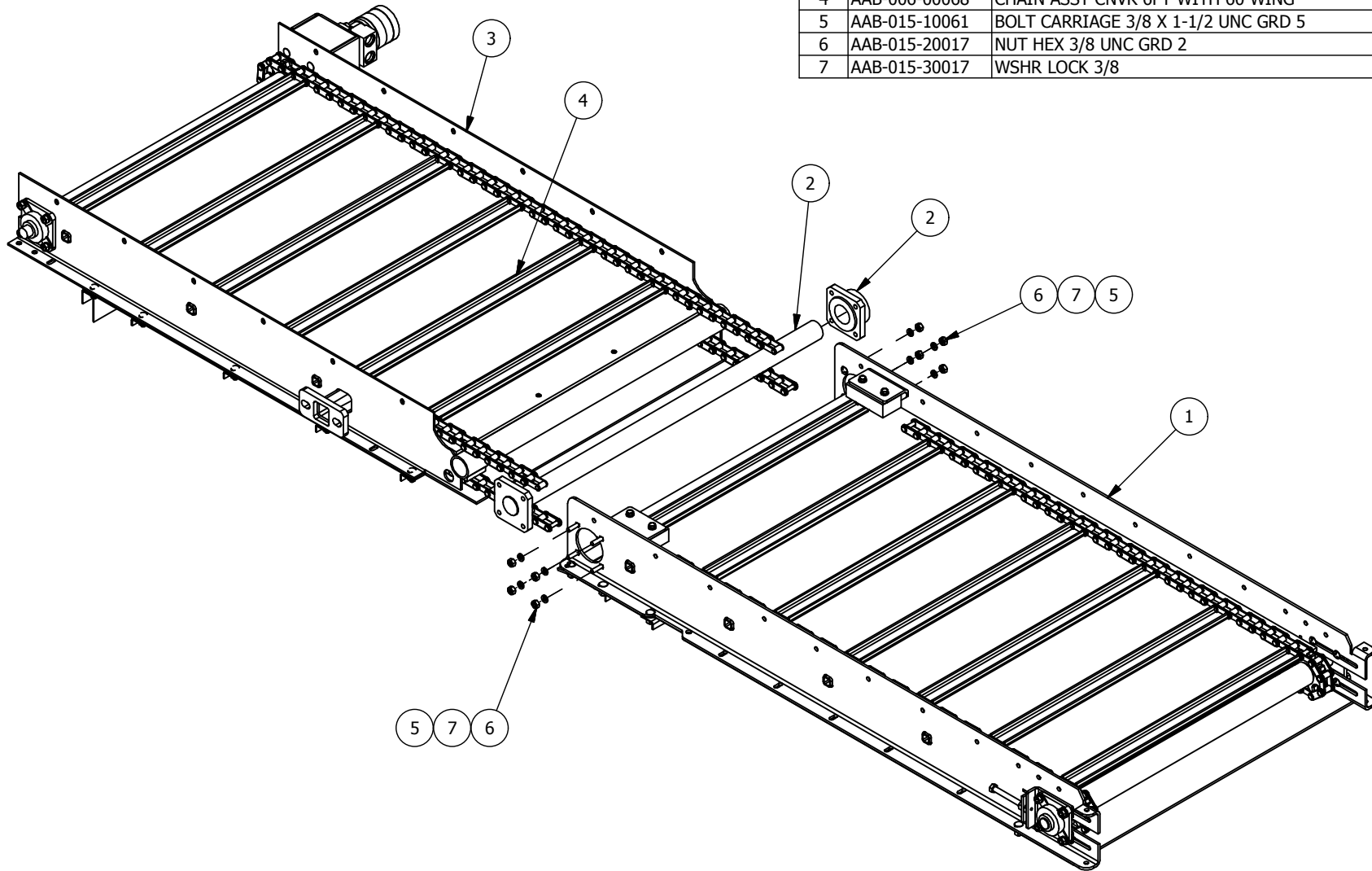
Parts List			
ITE	PART NUMBER	TITLE	QTY
1	AAA-002-00343	HYD HOSE CLIP	6
2	AAA-006-00054	CORNER ANGLE FOR CNVR SHIELDS	2
3	AAA-006-00057	CNVR LIFT ARM WELDMENT	1
4	AAA-006-00135	PLASTIC SPCR 1/4T	2
5	AAA-006-00223	PLASTIC SPCR 1/2T	6
6	AAA-006-00259	HDPE SHIELD FRT 6 FT FLAT 1/4T	1
7	AAA-006-00260	HDPE SHIELD CNVR 6FT FLAT END 1/4T	1
8	AAA-006-00261	HDPE SHIELD 6FT FLAT CNVR DRUM SIDE 1/4T	1
9	AAA-006-00262	HDPE SHIELD 41 CNVR WING 1/4T	1
10	AAA-006-00327	BRACE CNVR SHIELD 1/4T	2
11	AAA-006-00406	SUPT ANGLE CNVR BOTTOM SHIELD	4
12	AAA-006-00450	PIN BENT ADJUSTMENT 3/8 X 7-3/4	1
13	AAA-006-00451	CNVR BOOT WITH FB BRACES GALVANIZED	1
14	AAA-006-00527	FLAT BAR RUBBER BACKING 1/8T	1
15	AAA-006-00544	RUBR WING SHIELD FOR RTH DISCHARGE	1
16	AAA-006-00625	6FT 41" RTH BASE ASSY	1
17	AAA-009-00052	KIT HYD HOSE AND FIT FOR 6 FT 41 CNVR RTH / TOTAL MIX 3 FT WING CNVR	1
18	AAB-001-00019	PIN HTCH CLIP 1/8 X 2-9/16	1
19	AAB-005-00005	BOLT HEX 5/8 X 2-1/2 UNC GRD 8	2
20	AAB-015-10028	BOLT CARRIAGE 3/8 X 1 UNC	34
21	AAB-015-10056	BOLT HEX 3/8 X 1 UNC GRD 2	1
22	AAB-015-10059	BOLT HEX 3/8 X 1-1/2 UNC GRD 2	1
23	AAB-015-10060	BOLT CARRIAGE 3/8 X 1-1/4 UNC GRD 2	2
24	AAB-015-10061	BOLT CARRIAGE 3/8 X 1-1/2 UNC GRD 5	12
25	AAB-015-10062	BOLT CARRIAGE 3/8 X 4 UNC GRD 2	3
26	AAB-015-20012	NUT HEX 3/8 LOCK NYLON GRD 2	2
27	AAB-015-20013	NUT HEX 5/8 UNC GRD 8	2
28	AAB-015-20017	NUT HEX 3/8 UNC GRD 2	53
29	AAB-015-30012	WSHR FLAT 3/8 USS	29
30	AAB-015-30015	WSHR FLAT 3/4 USS	2
31	AAB-015-30017	WSHR LOCK 3/8	50
32	AAB-015-30019	WSHR LOCK 5/8	2
33	AAB-015-40008	LOCKING PIN CAP	1
131	AAA-002-00174	PLT SUPT VRTCL FRAME 6FT CNVR WING	1
132	AAB-015-10063	BOLT HEX 1/2 X 1-1/2 UNC GRD 5	3
133	AAB-015-30018	WSHR FLAT 3/8 USS (OTHERWISE FRACTIONAL)	4
134	AAB-015-20011	NUT HEX 1/2 UNC GRD 2	3

UNITS	PAPER A	SHEET 1 OF 1	R#	DATE	DESCRIPTION	DR	CK
TITLE 6FT 41IN RTH ASSY (PARTS ORDER)					FILE NO	AAA-006-00991.idw	

MAT DEC XXXX ±0.006 ±0.031" ±0.5°
 DR PLT FIGG
 DATE 11/20/13
 JAY-LOR Fabricating Inc
 CONFIDENTIAL: THESE DRAWINGS AND COPIES THEREOF REMAIN THE PROPERTY OF JAY-LOR FABRICATING INC. ANY PERSON FOUND UNLAWFULLY USING, DISTRIBUTING, OR IN POSSESSION OF THE ABOVE WILL BE PROSECUTED

Parts List

ITEM	PART NUMBER	TITLE	QTY
1	AAA-006-00131	6 FT FLAT CNVR ASSY	1
2	AAA-006-00616	CNVR PIVOT PIN ASSY	1
3	AAA-006-00803	CNVR WING ASSY 5FT	1
4	AAB-006-00068	CHAIN ASSY CNVR 6FT WITH 60 WING	1
5	AAB-015-10061	BOLT CARRIAGE 3/8 X 1-1/2 UNC GRD 5	8
6	AAB-015-20017	NUT HEX 3/8 UNC GRD 2	8
7	AAB-015-30017	WSHR LOCK 3/8	8



DR	GM	TOLERANCES (UNLESS SPECIFIED OTHERWISE) FRACTIONAL ± 1/16" DEC X.X ± 0.1" DEC X.XX ± 0.06" DEC X.XXX ± 0.031" ANGULAR ± 0.5°	JAY•LOR Fabricating Inc
DAT	1/9/2012		
MAT			

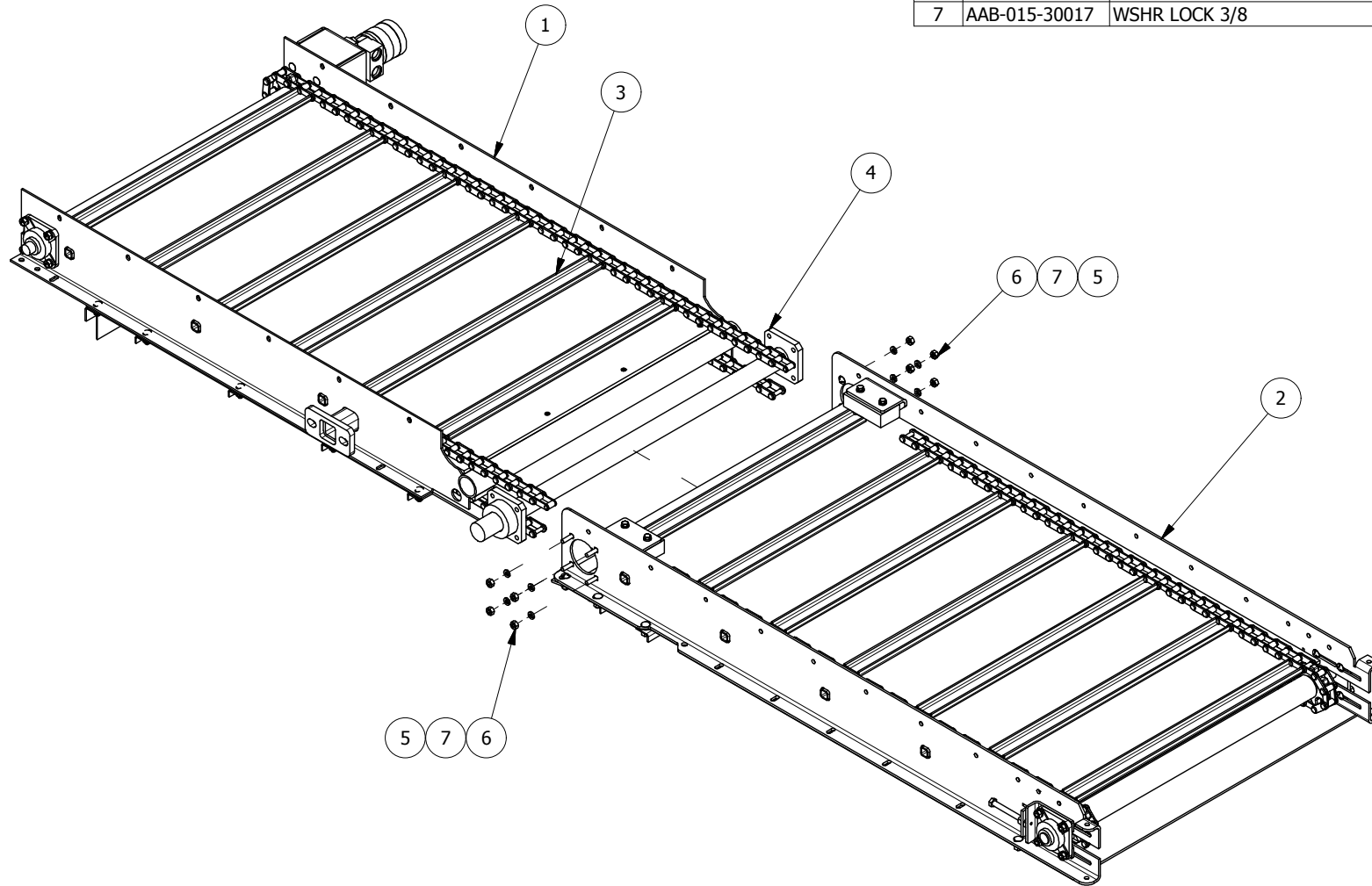
UNITS	PAPER A	SHEET 1 OF 1	R#	DATE	DESCRIPTION	DR	CK
-------	---------	--------------	----	------	-------------	----	----

TITLE 6FT 60" LTH BASE ASSY FILE NO AAA-006-00842.idw

CONFIDENTIAL: THESE DRAWINGS AND COPIES THEREOF REMAIN THE PROPERTY OF JAY-LOR FABRICATING INC. ANY PERSON FOUND UNLAWFULLY USING, DISTRIBUTING, OR IN POSSESSION OF THE ABOVE WILL BE PROSECUTED

Parts List

ITEM	PART NUMBER	TITLE	QTY
1	AAA-006-00803	CNVR WING ASSY 5FT	1
2	AAA-006-00131	6 FT FLAT CNVR ASSY	1
3	AAB-006-00068	CHAIN ASSY CNVR 6FT WITH 60 WING	1
4	AAA-006-00616	CNVR PIVOT PIN ASSY	1
5	AAB-015-10061	BOLT CARRIAGE 3/8 X 1-1/2 UNC GRD 5	8
6	AAB-015-20017	NUT HEX 3/8 UNC GRD 2	8
7	AAB-015-30017	WSHR LOCK 3/8	8

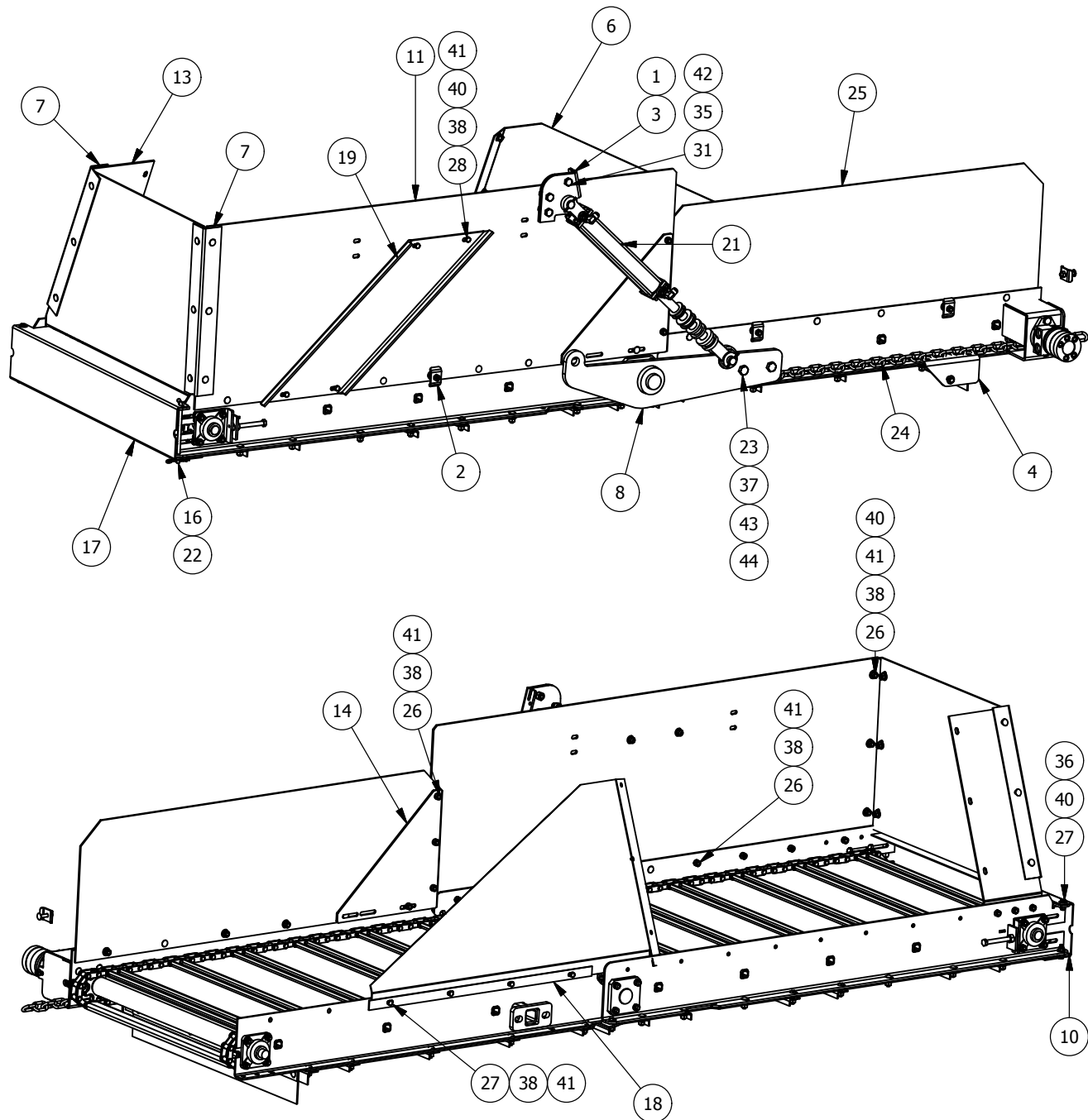


DR	GM	TOLERANCES (UNLESS SPECIFIED OTHERWISE) FRACTIONAL ± 1/16" DEC X.X ± 0.1" DEC X.XX ± 0.06" DEC X.XXX ± 0.031" ANGULAR ± 0.5°	JAY•LOR Fabricating Inc
DAT	1/10/2012		
MAT			

UNITS	EACH	PAPER	A	SHEET	1 OF 1	R#		DATE		DESCRIPTION	DR	CK
-------	------	-------	---	-------	--------	----	--	------	--	-------------	----	----

TITLE 6FT 60" RTH BASE ASSY FILE NO AAA-006-00843.idw

CONFIDENTIAL: THESE DRAWINGS AND COPIES THEREOF REMAIN THE PROPERTY OF JAY-LOR FABRICATING INC. ANY PERSON FOUND UNLAWFULLY USING, DISTRIBUTING, OR IN POSSESSION OF THE ABOVE WILL BE PROSECUTED



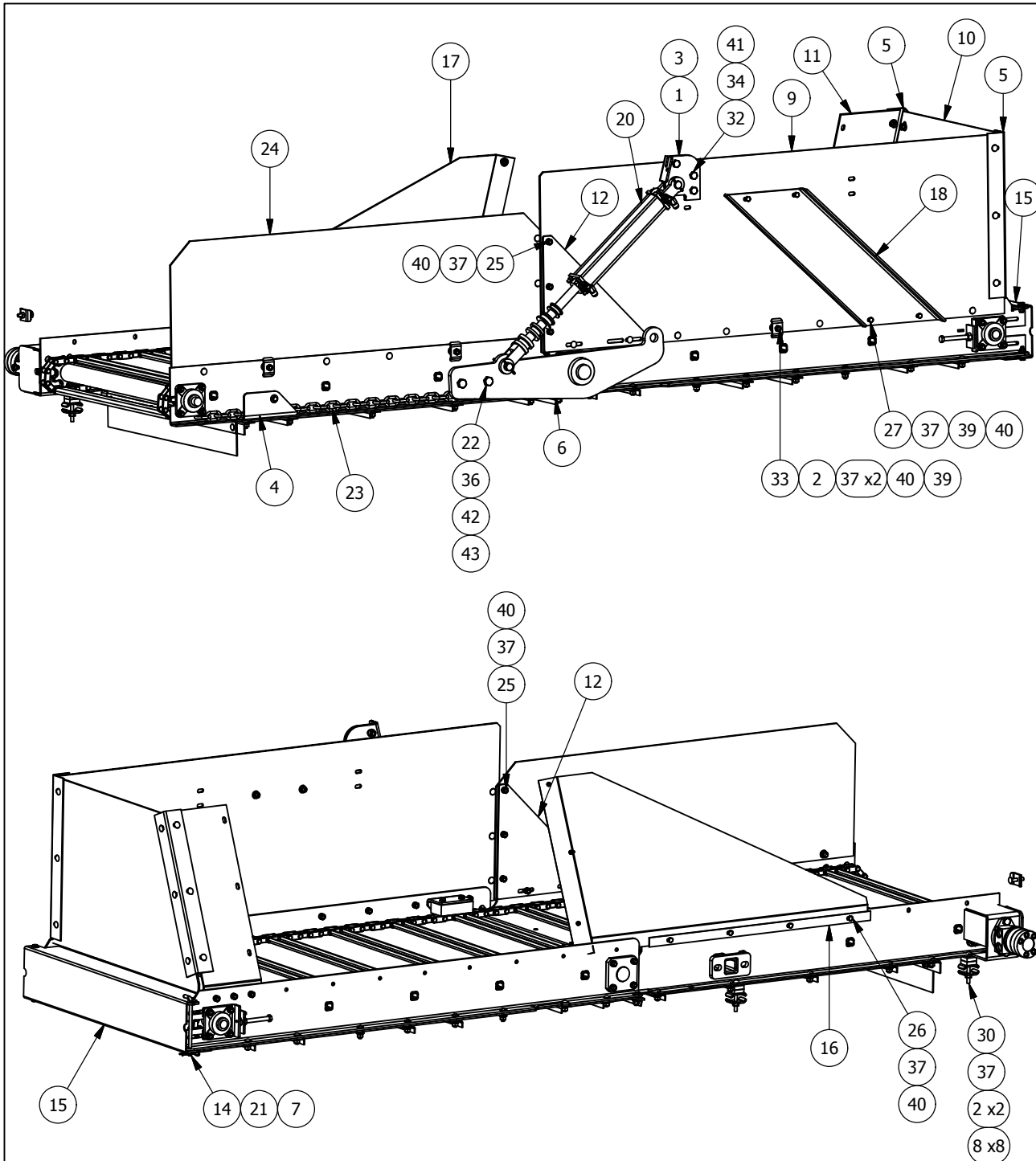
Parts List

ITE	PART NUMBER	TITLE	QTY
20	AAA-006-00842	6FT 60" LTH BASE ASSY	1
11	AAA-006-00259	HDPE SHIELD FRT 6 FT FLAT 1/4T	1
12	AAA-006-00260	HDPE SHIELD CNVR 6FT FLAT END 1/4T	1
13	AAA-006-00261	HDPE SHIELD 6FT FLAT CNVR DRUM SIDE 1/4T	1
17	AAA-006-00451	CNVR BOOT WITH FB BRACES GALVANIZED	1
10	AAA-006-00135	PLASTIC SPCR 1/4T	2
6	AAA-006-00048	RUBR WING SHIELD FOR LTH DISCHARGE	1
28	AAB-015-10059	BOLT HEX 3/8 X 1-1/2 UNC GRD 2	6
27	AAB-015-10056	BOLT HEX 3/8 X 1 UNC GRD 2	5
40	AAB-015-30012	WSHR FLAT 3/8 USS	33
36	AAB-015-20012	NUT HEX 3/8 LOCK NYLON GRD 2	2
22	AAB-001-00019	PIN HTCH CLIP 1/8 X 2-9/16	1
16	AAA-006-00450	PIN BENT ADJUSTMENT 3/8 X 7-3/4	1
45	AAB-015-40008	LOCKING PIN CAP	1
15	AAA-006-00406	SUPT ANGLE CNVR BOTTOM SHIELD	5
19	AAA-006-00554	BRACE 6FT WING LTH DISCHARGE 1/4T	1
29	AAB-015-10060	BOLT CARRIAGE 3/8 X 1-1/4 UNC GRD 2	9
38	AAB-015-20017	NUT HEX 3/8 UNC GRD 2	60
41	AAB-015-30017	WSHR LOCK 3/8	55
26	AAB-015-10028	BOLT CARRIAGE 3/8 X 1 UNC	28
3	AAA-002-00459	6FT WING CHAIN HOOK	1
4	AAA-002-00460	CHAIN KEYHOLE STOP 1/4T	1
1	AAA-002-00174	PLT SUPT VRTCL FRAME 6FT CNVR WING	1
24	AAB-006-00038	CHAIN GRD 30 - 54 INCHES	1
31	AAB-015-10063	BOLT HEX 1/2 X 1-1/2 UNC GRD 5	1
35	AAB-015-20011	NUT HEX 1/2 UNC GRD 5	3
42	AAB-015-30018	WSHR LOCK 1/2	3
32	AAB-015-10064	BOLT HEX 1/2 X 2 UNC GRD 5	2
8	AAA-006-00057	CNVR LIFT ARM WELDMNT	1
21	AAA-009-00088	KIT HOSE AND FIT FOR 6FT CNVR WITH 6FT WING LTH DISCHARGE	1
30	AAB-015-10061	BOLT CARRIAGE 3/8 X 1-1/2 UNC GRD 5	4
23	AAB-005-00005	BOLT HEX 5/8 X 2-1/2 UNC GRD 8	2
44	AAB-015-30020	WSHR FLAT 5/8 USS	2
43	AAB-015-30019	WSHR LOCK 5/8	2
37	AAB-015-20013	NUT HEX 5/8 UNC GRD 8	2
39	AAB-015-30009	WSHR FLAT 2.5 OD X 1.06 ID X 1/8T	3
25	AAB-006-00067	HDPE SHIELD CNVR SIDE 5FT WING 1/4T	1
2	AAA-002-00343	HYD HOSE CLIP	4
34	AAB-015-10081	BOLT CARRIAGE 3/8 X 2 UNC GRD 5	4
18	AAA-006-00527	FLAT BAR RUBBER BACKING 1/8T	1
14	AAA-006-00327	BRACE CNVR SHIELD 1/4T	2
7	AAA-006-00054	CORNER ANGLE FOR CNVR SHIELDS	2

DR	GM	TOLERANCES (UNLESS SPECIFIED OTHERWISE) FRACTIONAL ± 1/16" DEC X.X ± 0.1" DEC X.XX ± 0.06" DEC X.XXX ± 0.031" ANGULAR ± 0.5°	
DAT	7/15/2013		
MAT			

UNITS	PAPER A	SHEET 1 OF 1	R#	DATE	DESCRIPTION	DR	CK
TITLE 6FT 60" LTH ASSY (PARTS ORDER)					FILE NO	AAA-006-00994.idw	

CONFIDENTIAL: THESE DRAWINGS AND COPIES THEREOF REMAIN THE PROPERTY OF JAY-LOR FABRICATING INC. ANY PERSON FOUND UNLAWFULLY USING, DISTRIBUTING, OR IN POSSESSION OF THE ABOVE WILL BE PROSECUTED



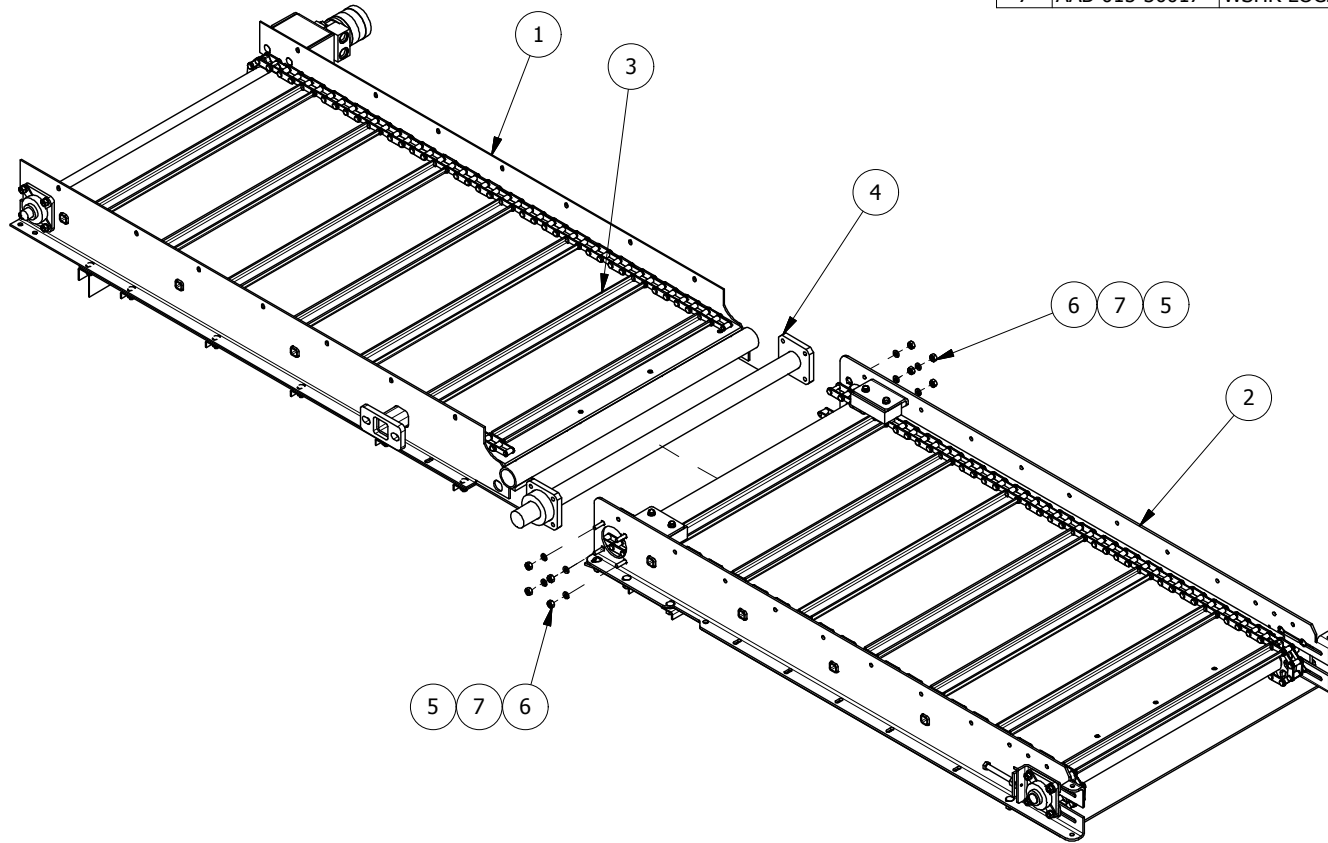
Parts List

ITE	PART NUMBER	TITLE	QTY
1	AAA-002-00174	PLT SUPT VRTCL FRAME 6FT CNVR WING	1
2	AAA-002-00343	HYD HOSE CLIP	8
3	AAA-002-00459	6FT WING CHAIN HOOK	1
4	AAA-002-00460	CHAIN KEYHOLE STOP 1/4T	1
5	AAA-006-00054	CORNER ANGLE FOR CNVR SHIELDS	2
6	AAA-006-00057	CNVR LIFT ARM WELDMENT	1
7	AAA-006-00135	PLASTIC SPCR 1/4T	2
8	AAA-006-00223	PLASTIC SPCR 1/2T	4
9	AAA-006-00259	HDPE SHIELD FRT 6 FT FLAT 1/4T	1
10	AAA-006-00260	HDPE SHIELD CNVR 6FT FLAT END 1/4T	1
11	AAA-006-00261	HDPE SHIELD 6FT FLAT CNVR DRUM SIDE 1/4T	1
12	AAA-006-00327	BRACE CNVR SHIELD 1/4T	2
13	AAA-006-00406	SUPT ANGLE CNVR BOTTOM SHIELD	5
14	AAA-006-00450	PIN BENT ADJUSTMENT 3/8 X 7-3/4	1
15	AAA-006-00451	CNVR BOOT WITH FB BRACES GALVANIZED	1
16	AAA-006-00527	FLAT BAR RUBBER BACKING 1/8T	1
17	AAA-006-00544	RUBR WING SHIELD FOR RTH DISCHARGE	1
18	AAA-006-00555	BRACE 6FT WING RTH DISCHARGE 1/4T	1
19	AAA-006-00843	6FT 60" RTH BASE ASSY	1
20	AAA-009-00100	KIT HOSE AND FIT FOR 6FT CNVR WITH 6FT WING RTH DISCHARGE	1
21	AAB-001-00019	PIN HTCH CLIP 1/8 X 2-9/16	1
22	AAB-005-00005	BOLT HEX 5/8 X 2-1/2 UNC GRD 8	2
23	AAB-006-00038	CHAIN GRD 30 - 54 INCHES	1
24	AAB-006-00067	HDPE SHIELD CNVR SIDE 5FT WING 1/4T	1
25	AAB-015-10028	BOLT CARRIAGE 3/8 X 1 UNC	25
26	AAB-015-10056	BOLT HEX 3/8 X 1 UNC GRD 2	5
27	AAB-015-10059	BOLT HEX 3/8 X 1-1/2 UNC GRD 2	6
28	AAB-015-10060	BOLT CARRIAGE 3/8 X 1-1/4 UNC GRD 2	8
29	AAB-015-10061	BOLT CARRIAGE 3/8 X 1-1/2 UNC GRD 5	8
30	AAB-015-10062	BOLT CARRIAGE 3/8 X 4 UNC GRD 2	2
31	AAB-015-10063	BOLT HEX 1/2 X 1-1/2 UNC GRD 5	1
32	AAB-015-10064	BOLT HEX 1/2 X 2 UNC GRD 5	2
33	AAB-015-10081	BOLT CARRIAGE 3/8 X 2 UNC GRD 5	4
34	AAB-015-20011	NUT HEX 1/2 UNC GRD 5	3
35	AAB-015-20012	NUT HEX 3/8 LOCK NYLON GRD 2	3
36	AAB-015-20013	NUT HEX 5/8 UNC GRD 8	2
37	AAB-015-20017	NUT HEX 3/8 UNC GRD 2	61
38	AAB-015-30009	WSHR FLAT 2.5 OD X 1.06 ID X 1/8T	3
39	AAB-015-30012	WSHR FLAT 3/8 USS	33
40	AAB-015-30017	WSHR LOCK 3/8	55
41	AAB-015-30018	WSHR LOCK 1/2	3
42	AAB-015-30019	WSHR LOCK 5/8	2
43	AAB-015-30020	WSHR FLAT 5/8 USS	2
44	AAB-015-40008	LOCKING PIN CAP	1

UNITS	PAPER A	SHEET 1 OF 1	R#	DATE	DESCRIPTION	DR	CK
TITLE 6FT 60" RTH ASSY (PARTS ORDER)					FILE NO	AAA-006-00993.idw	

DR	GM	TOLERANCES (UNLESS SPECIFIED OTHERWISE) FRACTIONAL ± 1/16" DEC X.X ± 0.1" DEC X.XX ± 0.06" DEC X.XXX ± 0.031" ANGULAR ± 0.5°	
DAT	7/12/2013		
MAT			
<small>CONFIDENTIAL: THESE DRAWINGS AND COPIES THEREOF REMAIN THE PROPERTY OF JAY-LOR FABRICATING INC. ANY PERSON FOUND UNLAWFULLY USING, DISTRIBUTING, OR IN POSSESSION OF THE ABOVE WILL BE PROSECUTED</small>			

Parts List			
ITEM	PART NUMBER	TITLE	QTY
1	AAA-006-00127	CNVR WING ASSY 6FT	1
2	AAA-006-00131	6 FT FLAT CNVR ASSY	1
3	AAA-006-00379	APRON CHAIN C55 W WITH 86 LINKS	1
4	AAA-006-00616	CNVR PIVOT PIN ASSY	1
5	AAB-015-10061	BOLT CARRIAGE 3/8 X 1-1/2 UNC GRD 5	8
6	AAB-015-20017	NUT HEX 3/8 UNC GRD 2	8
7	AAB-015-30017	WSHR LOCK 3/8	8



1	05/22/07	MADE SHIELD ASSY SEPERATE	LMV
---	----------	---------------------------	-----

DR PJ Feige	TOLERANCES (UNLESS SPECIFIED OTHERWISE) FRACTIONAL ± 1/16" DEC X.X ± 0.1" DEC X.XX ± 0.06" DEC X.XXX ± 0.031" ANGULAR ± 0.5°	JAY•LOR <i>Fabricating Inc</i>
DAT 3/8/2007		
MAT		

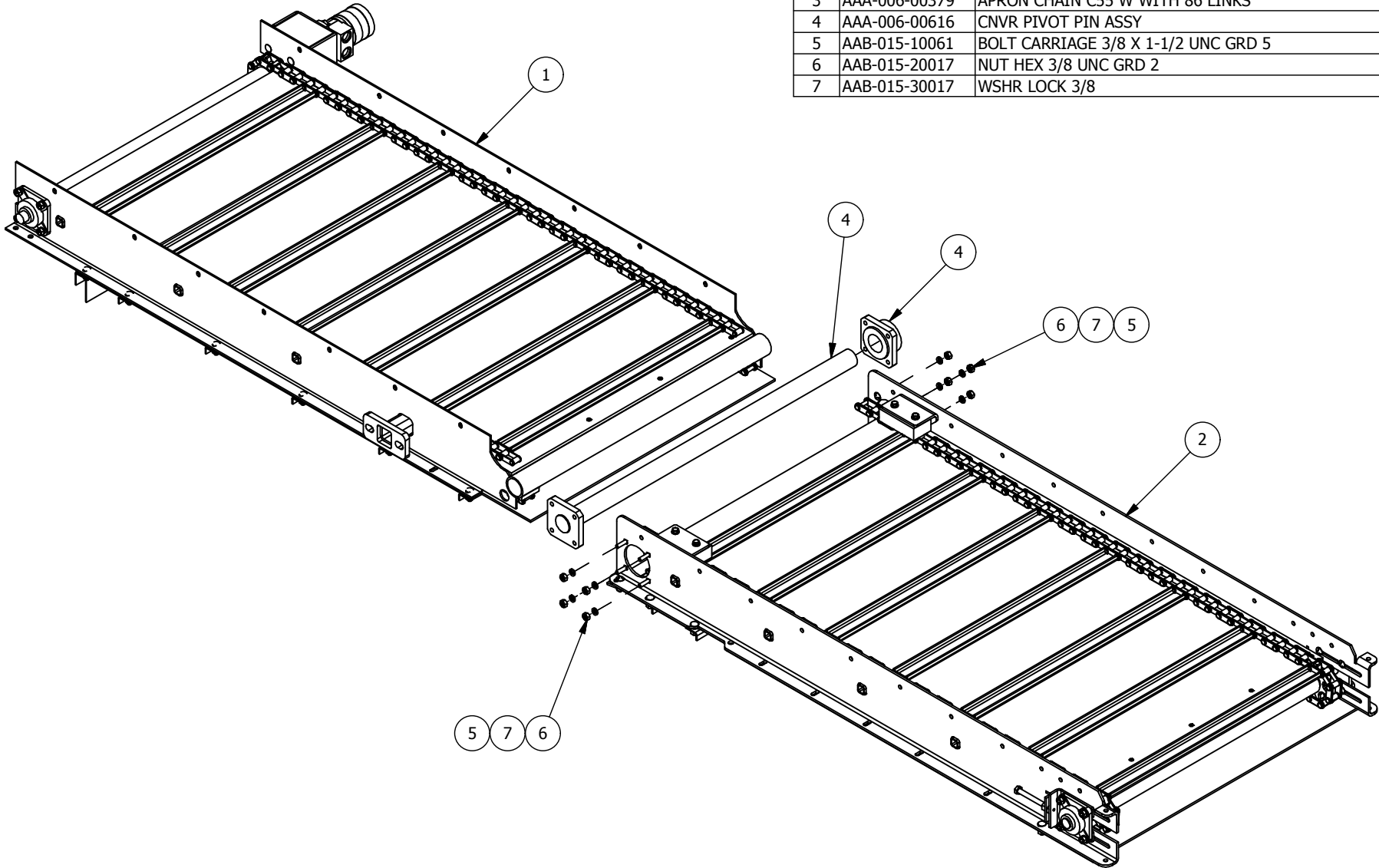
UNITS EACH	PAPER A	SHEET 1 OF 1	R#	DATE	DESCRIPTION	DR	CK
------------	---------	--------------	----	------	-------------	----	----

TITLE 6FT 72" RTH BASE ASSY FILE NO AAA-006-00012.idw

CONFIDENTIAL: THESE DRAWINGS AND COPIES THEREOF REMAIN THE PROPERTY OF JAY-LOR FABRICATING INC. ANY PERSON FOUND UNLAWFULLY USING, DISTRIBUTING, OR IN POSSESSION OF THE ABOVE WILL BE PROSECUTED

Parts List

ITEM	PART NUMBER	TITLE	QTY
1	AAA-006-00127	CNVR WING ASSY 6FT	1
2	AAA-006-00131	6 FT FLAT CNVR ASSY	1
3	AAA-006-00379	APRON CHAIN C55 W WITH 86 LINKS	1
4	AAA-006-00616	CNVR PIVOT PIN ASSY	1
5	AAB-015-10061	BOLT CARRIAGE 3/8 X 1-1/2 UNC GRD 5	8
6	AAB-015-20017	NUT HEX 3/8 UNC GRD 2	8
7	AAB-015-30017	WSHR LOCK 3/8	8

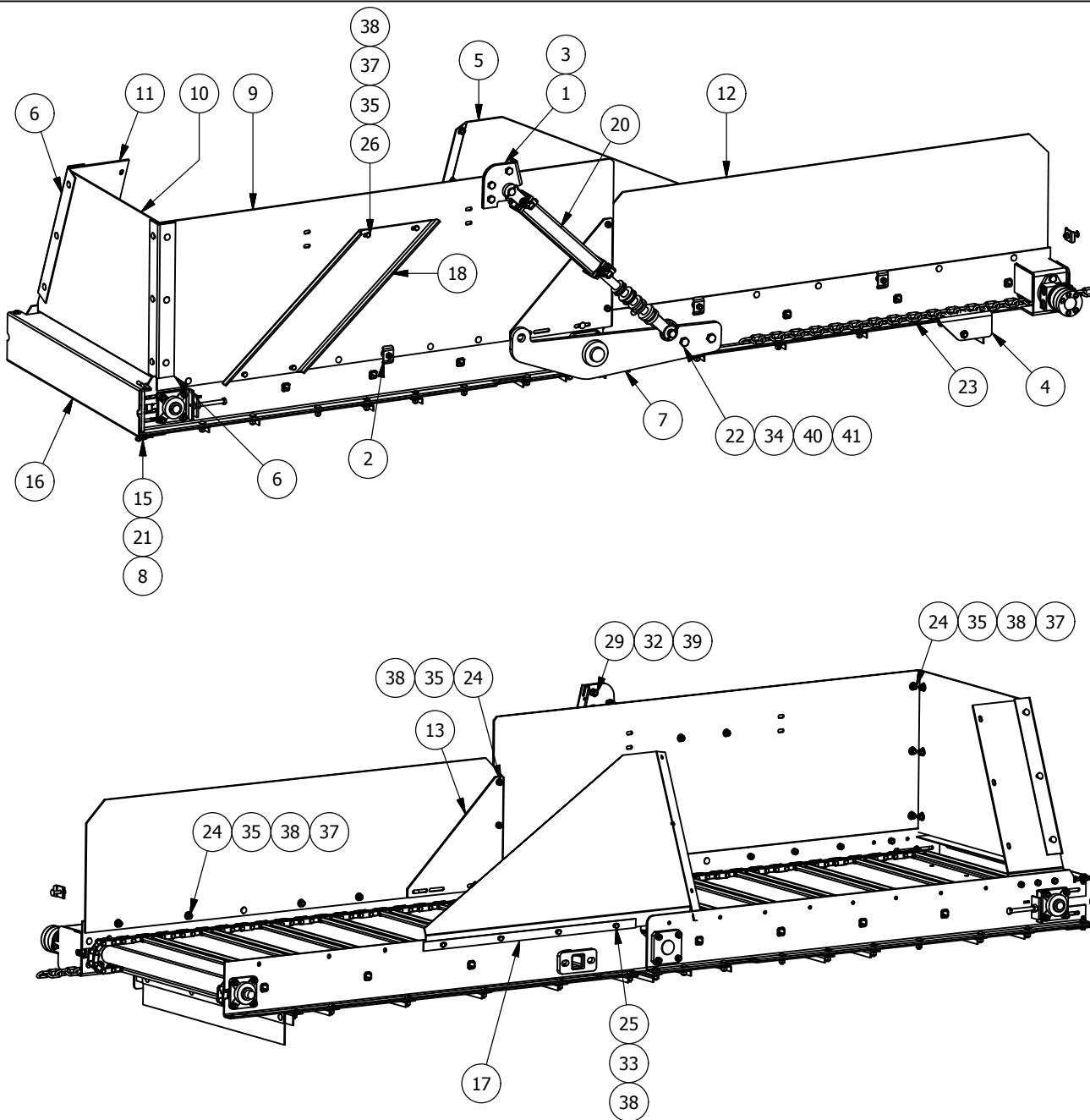


UNITS	PAPER A	SHEET 1 OF 1	R#	DATE	DESCRIPTION	DR	CK
-------	---------	--------------	----	------	-------------	----	----

TITLE 6FT 72" RTH BASE ASSY

FILE NO AAA-006-00626.idw

DR PJ Feige	TOLERANCES (UNLESS SPECIFIED OTHERWISE) FRACTIONAL ± 1/16" DEC X.X ± 0.1" DEC X.XX ± 0.06" DEC X.XXX ± 0.031" ANGULAR ± 0.5°	JAY-LOR Fabricating Inc
DAT 9/28/2010		
MAT		
CONFIDENTIAL: THESE DRAWINGS AND COPIES THEREOF REMAIN THE PROPERTY OF JAY-LOR FABRICATING INC. ANY PERSON FOUND UNLAWFULLY USING, DISTRIBUTING, OR IN POSSESSION OF THE ABOVE WILL BE PROSECUTED		



Parts List

ITE	PART NUMBER	TITLE	QTY
1	AAA-002-00174	PLT SUPT VRTCL FRAME 6FT CNVR WING	1
2	AAA-002-00343	HYD HOSE CLIP	4
3	AAA-002-00459	6FT WING CHAIN HOOK	1
4	AAA-002-00460	CHAIN KEYHOLE STOP 1/4T	1
5	AAA-006-00048	RUBR WING SHIELD FOR LTH DISCHARGE	1
6	AAA-006-00054	CORNER ANGLE FOR CNVR SHIELDS	2
7	AAA-006-00057	CNVR LIFT ARM WELDMENT	1
8	AAA-006-00135	PLASTIC SPCR 1/4T	2
9	AAA-006-00259	HDPE SHIELD FRT 6 FT FLAT 1/4T	1
10	AAA-006-00260	HDPE SHIELD CNVR 6FT FLAT END 1/4T	1
11	AAA-006-00261	HDPE SHIELD 6FT FLAT CNVR DRUM SIDE 1/4T	1
12	AAA-006-00271	HDPE SHIELD CNVR SIDE 6FT WING 1/4T	1
13	AAA-006-00327	BRACE CNVR SHIELD 1/4T	2
14	AAA-006-00406	SUPT ANGLE CNVR BOTTOM SHIELD	5
15	AAA-006-00450	PIN BENT ADJUSTMENT 3/8 X 7-3/4	1
16	AAA-006-00451	CNVR BOOT WITH FB BRACES GALVANIZED	1
17	AAA-006-00527	FLAT BAR RUBBER BACKING 1/8T	1
18	AAA-006-00554	BRACE 6FT WING LTH DISCHARGE 1/4T	1
19	AAA-006-00626	6FT 72" RTH BASE ASSY	1
20	AAA-009-00088	KIT HOSE AND FIT FOR 6FT CNVR WITH 6FT WING LTH DISCHARGE	1
21	AAB-001-00019	PIN HTCH CLIP 1/8 X 2-9/16	1
22	AAB-005-00005	BOLT HEX 5/8 X 2-1/2 UNC GRD 8	2
23	AAB-006-00038	CHAIN GRD 30 - 54 INCHES	1
24	AAB-015-10028	BOLT CARRIAGE 3/8 X 1 UNC	29
25	AAB-015-10056	BOLT HEX 3/8 X 1 UNC GRD 2	5
26	AAB-015-10059	BOLT HEX 3/8 X 1-1/2 UNC GRD 2	6
27	AAB-015-10060	BOLT CARRIAGE 3/8 X 1-1/4 UNC GRD 2	9
28	AAB-015-10061	BOLT CARRIAGE 3/8 X 1-1/2 UNC GRD 5	4
29	AAB-015-10063	BOLT HEX 1/2 X 1-1/2 UNC GRD 5	1
30	AAB-015-10064	BOLT HEX 1/2 X 2 UNC GRD 5	2
31	AAB-015-10081	BOLT CARRIAGE 3/8 X 2 UNC GRD 5	4
32	AAB-015-20011	NUT HEX 1/2 UNC GRD 5	3
33	AAB-015-20012	NUT HEX 3/8 LOCK NYLON GRD 2	2
34	AAB-015-20013	NUT HEX 5/8 UNC GRD 8	2
35	AAB-015-20017	NUT HEX 3/8 UNC GRD 2	61
36	AAB-015-30009	WSHR FLAT 2.5 OD X 1.06 ID X 1/8T	3
37	AAB-015-30012	WSHR FLAT 3/8 USS	34
38	AAB-015-30017	WSHR LOCK 3/8	56
39	AAB-015-30018	WSHR LOCK 1/2	3
40	AAB-015-30019	WSHR LOCK 5/8	2
41	AAB-015-30020	WSHR FLAT 5/8 USS	2
42	AAB-015-40008	LOCKING PIN CAP	1

DR PJ Feige

DAT 7/16/2013

MAT

TOLERANCES (UNLESS SPECIFIED OTHERWISE)
 FRACTIONAL ± 1/16"
 DEC X.X ± 0.1"
 DEC X.XXX ± 0.06"
 DEC X.XXXX ± 0.031"
 ANGULAR ± 0.5°

JAY-LOR
 Fabricating Inc

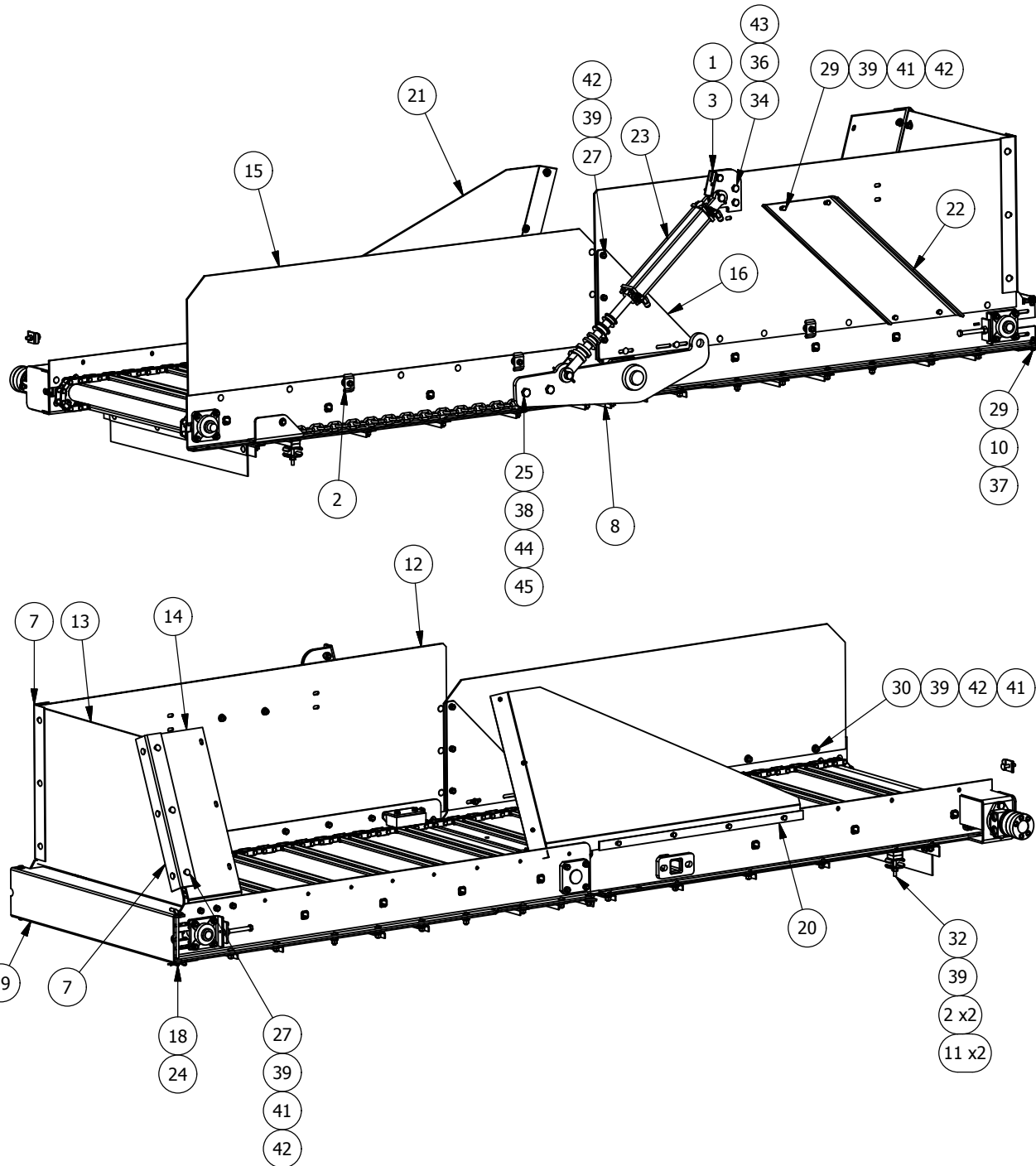
UNITS PAPER A SHEET 1 OF 1 R# DATE DESCRIPTION

DR CK

TITLE 6FT 72" LTH ASSY (PARTS ORDER)

FILE NO AAA-006-00996.idw

CONFIDENTIAL: THESE DRAWINGS AND COPIES THEREOF REMAIN THE PROPERTY OF JAY-LOR FABRICATING INC. ANY PERSON FOUND UNLAWFULLY USING, DISTRIBUTING, OR IN POSSESSION OF THE ABOVE WILL BE PROSECUTED



Parts List

ITE	PART NUMBER	TITLE	QTY
5	AAA-006-00012	6FT 72" RTH BASE ASSY	1
17	AAA-006-00406	SUPT ANGLE CNVR BOTTOM SHIELD	5
30	AAB-015-10060	BOLT CARRIAGE 3/8 X 1-1/4 UNC GRD 2	9
31	AAB-015-10061	BOLT CARRIAGE 3/8 X 1-1/2 UNC GRD 5	8
42	AAB-015-30017	WSHR LOCK 3/8	56
41	AAB-015-30012	WSHR FLAT 3/8 USS	34
39	AAB-015-20017	NUT HEX 3/8 UNC GRD 2	62
4	AAA-002-00460	CHAIN KEYHOLE STOP 1/4T	1
1	AAA-002-00174	PLT SUPT VRTCL FRAME 6FT CNVR WING	1
3	AAA-002-00459	6FT WING CHAIN HOOK	1
10	AAA-006-00135	PLASTIC SPCR 1/4T	2
12	AAA-006-00259	HDPE SHIELD FRT 6 FT FLAT 1/4T	1
13	AAA-006-00260	HDPE SHIELD CNVR 6FT FLAT END 1/4T	1
14	AAA-006-00261	HDPE SHIELD 6FT FLAT CNVR DRUM SIDE 1/4T	1
18	AAA-006-00450	PIN BENT ADJUSTMENT 3/8 X 7-3/4	1
22	AAA-006-00555	BRACE 6FT WING RTH DISCHARGE 1/4T	1
19	AAA-006-00451	CNVR BOOT WITH FB BRACES GALVANIZED	1
29	AAB-015-10059	BOLT HEX 3/8 X 1-1/2 UNC GRD 2	6
28	AAB-015-10056	BOLT HEX 3/8 X 1 UNC GRD 2	5
37	AAB-015-20012	NUT HEX 3/8 LOCK NYLON GRD 2	3
27	AAB-015-10028	BOLT CARRIAGE 3/8 X 1 UNC	25
46	AAB-015-40008	LOCKING PIN CAP	1
24	AAB-001-00019	PIN HTCH CLIP 1/8 X 2-9/16	1
8	AAA-006-00057	CNVR LIFT ARM WELDMENT	1
25	AAB-005-00005	BOLT HEX 5/8 X 2-1/2 UNC GRD 8	2
45	AAB-015-30020	WSHR FLAT 5/8 USS	2
38	AAB-015-20013	NUT HEX 5/8 UNC GRD 8	2
44	AAB-015-30019	WSHR LOCK 5/8	2
34	AAB-015-10064	BOLT HEX 1/2 X 2 UNC GRD 5	2
33	AAB-015-10063	BOLT HEX 1/2 X 1-1/2 UNC GRD 5	1
36	AAB-015-20011	NUT HEX 1/2 UNC GRD 5	3
43	AAB-015-30018	WSHR LOCK 1/2	3
26	AAB-006-00038	CHAIN GRD 30 - 54 INCHES	1
23	AAA-009-00100	KIT HOSE AND FIT FOR 6FT CNVR WITH 6FT WING RTH DISCHARGE	1
40	AAB-015-30009	WSHR FLAT 2.5 OD X 1.06 ID X 1/8T	3
21	AAA-006-00544	RUBR WING SHIELD FOR RTH DISCHARGE	1
2	AAA-002-00343	HYD HOSE CLIP	8
32	AAB-015-10062	BOLT CARRIAGE 3/8 X 4 UNC GRD 2	2
11	AAA-006-00223	PLASTIC SPCR 1/2T	4
15	AAA-006-00271	HDPE SHIELD CNVR SIDE 6FT WING 1/4T	1
35	AAB-015-10081	BOLT CARRIAGE 3/8 X 2 UNC GRD 5	4
20	AAA-006-00527	FLAT BAR RUBBER BACKING 1/8T	1
7	AAA-006-00054	CORNER ANGLE FOR CNVR SHIELDS	2
16	AAA-006-00327	BRACE CNVR SHIELD 1/4T	2

DR PJ Feige

DAT 7/16/2013

MAT

TOLERANCES (UNLESS SPECIFIED OTHERWISE)
 FRACTIONAL ± 1/16"
 DEC X.X ± 0.1"
 DEC X.XX ± 0.06"
 DEC X.XXX ± 0.031"
 ANGULAR ± 0.5°

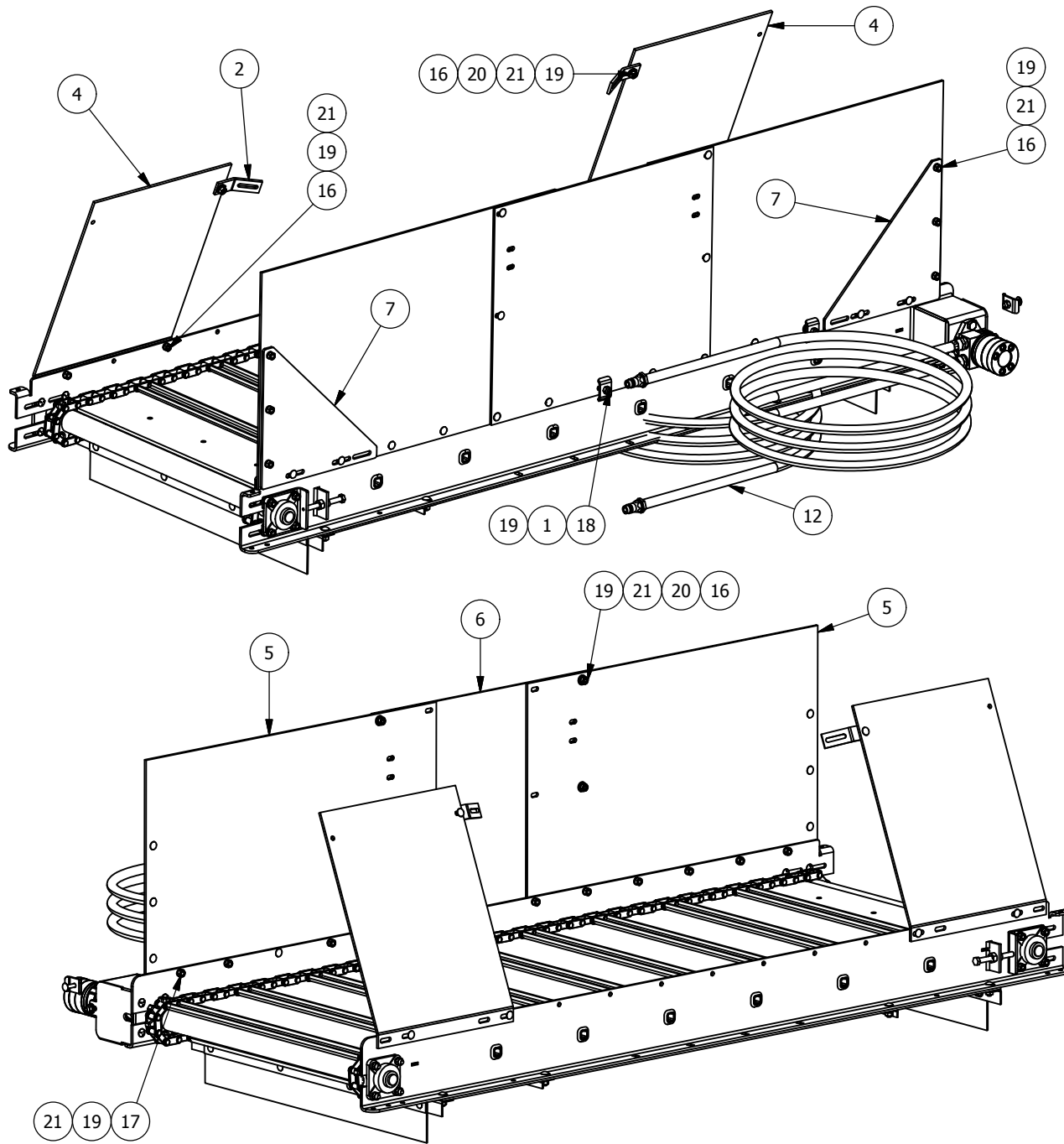
JAY-LOR
 Fabricating Inc

UNITS PAPER A SHEET 1 OF 1 R# DATE DESCRIPTION DR CK

TITLE 6FT 72" RTH ASSY (PARTS ORDER)

FILE NO AAA-006-00995.idw

CONFIDENTIAL: THESE DRAWINGS AND COPIES THEREOF REMAIN THE PROPERTY OF JAY-LOR FABRICATING INC. ANY PERSON FOUND UNLAWFULLY USING, DISTRIBUTING, OR IN POSSESSION OF THE ABOVE WILL BE PROSECUTED



Parts List

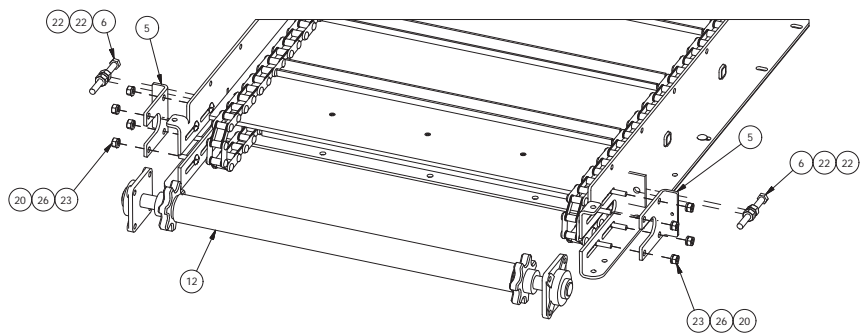
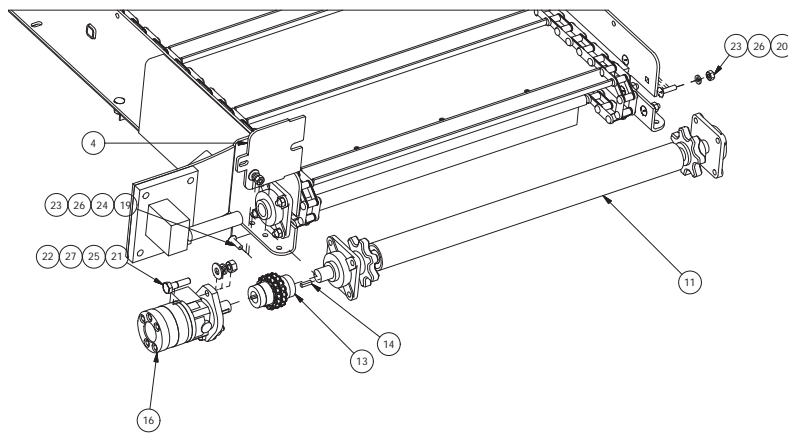
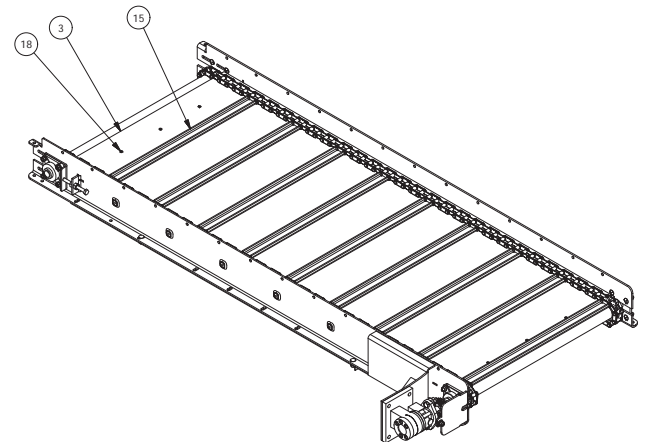
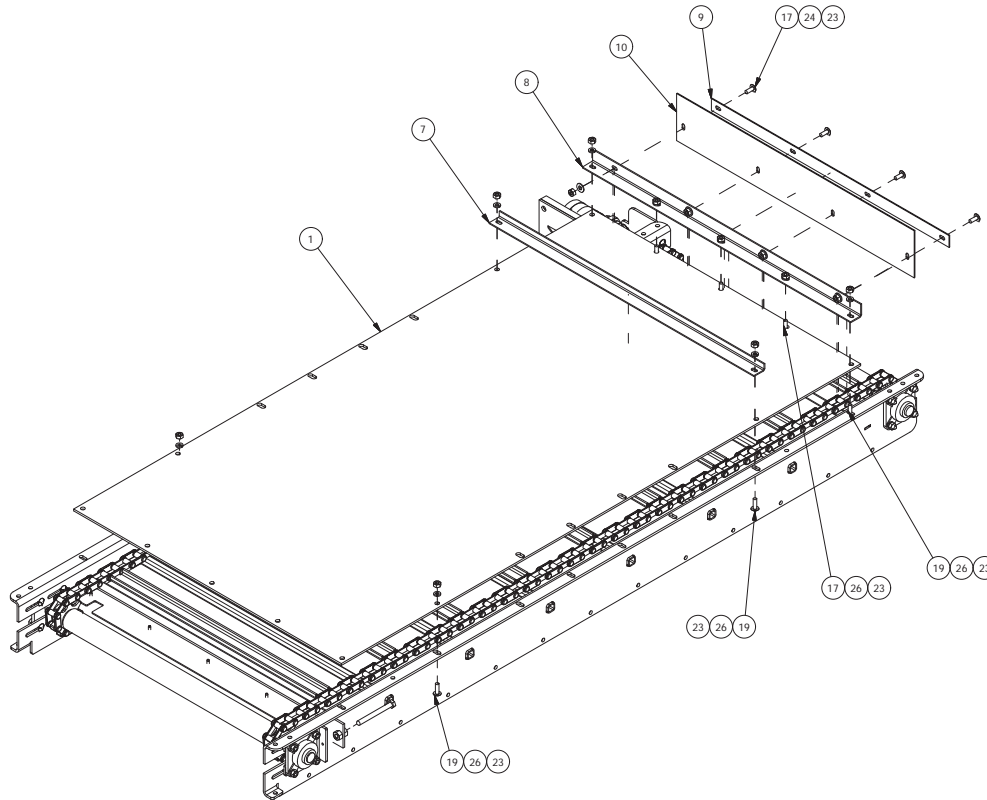
ITE	PART NUMBER	TITLE	QTY
1	AAA-002-00343	HYD HOSE CLIP	3
2	AAA-006-00078	SHIELD BRACE	2
3	AAA-006-00128	8 FT FLAT CNVR ASSY	1
4	AAA-006-00263	SHIELD CNVR BACK 8FT FLAT	2
5	AAA-006-00264	HDPE SHIELD CNVR SIDE 8 FT / 9 FT 2 1/4T	2
6	AAA-006-00265	HDPE SHIELD CNVR CTR 8 FT / 9 FT 2 1/4T	1
7	AAA-006-00327	BRACE CNVR SHIELD 1/4T	2
8	AAA-006-00406	SUPT ANGLE CNVR BOTTOM SHIELD	1
9	AAA-006-00408	SUPT ANGLE AND RUBR SHIELD MNT FOR FLAT CNVR 1/8T	1
10	AAA-006-00409	RUBR FLAP RETAINER FB	1
11	AAA-006-00410	RUBR FLAP FOR UNDERSIDE OF CNVR	1
12	AAA-009-00098	KIT HYD HOSE AND FIT DUAL FLAT CNVR	1
13	AAB-009-00080	FIT ADPT 8 MJIC X 10 MORB	1
14	AAB-009-00089	FIT ADPT 10 ADJUST MORB X 10 MORB	1
15	AAB-009-00321	VALVE CHECK 10 FORB X 10 FORB	1
16	AAB-015-10028	BOLT CARRIAGE 3/8 X 1 UNC	26
17	AAB-015-10060	BOLT CARRIAGE 3/8 X 1-1/4 UNC GRD 2	10
18	AAB-015-10081	BOLT CARRIAGE 3/8 X 2 UNC GRD 5	3
19	AAB-015-20017	NUT HEX 3/8 UNC GRD 2	41
20	AAB-015-30012	WSHR FLAT 3/8 USS	12
21	AAB-015-30017	WSHR LOCK 3/8	32
22	AAB-015-30018	WSHR LOCK 1/2	2

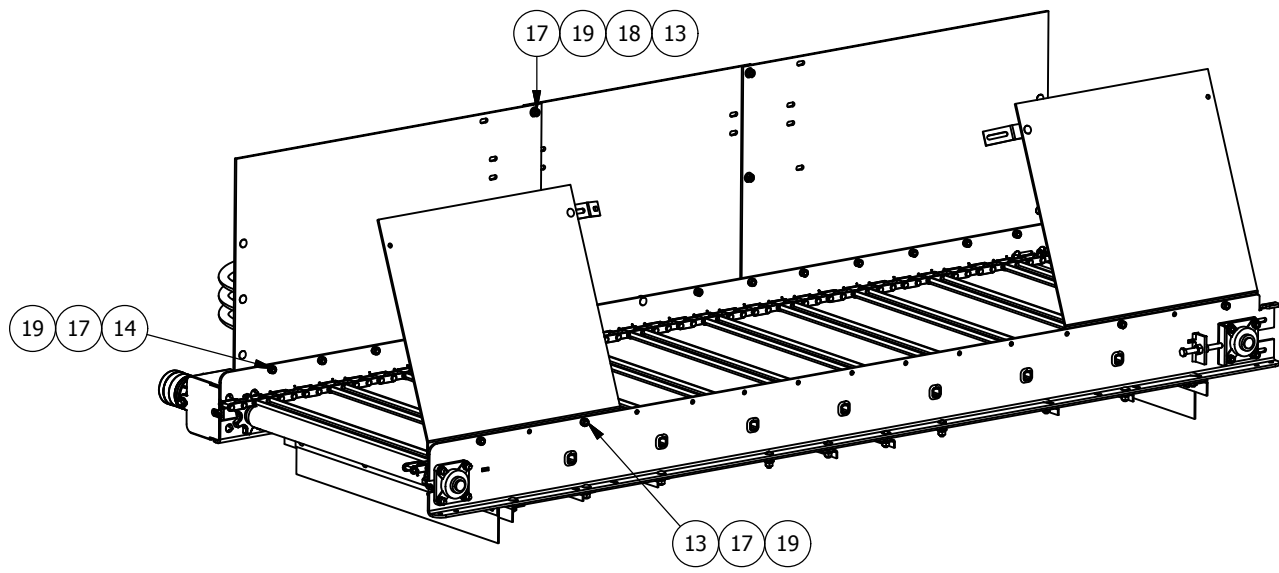
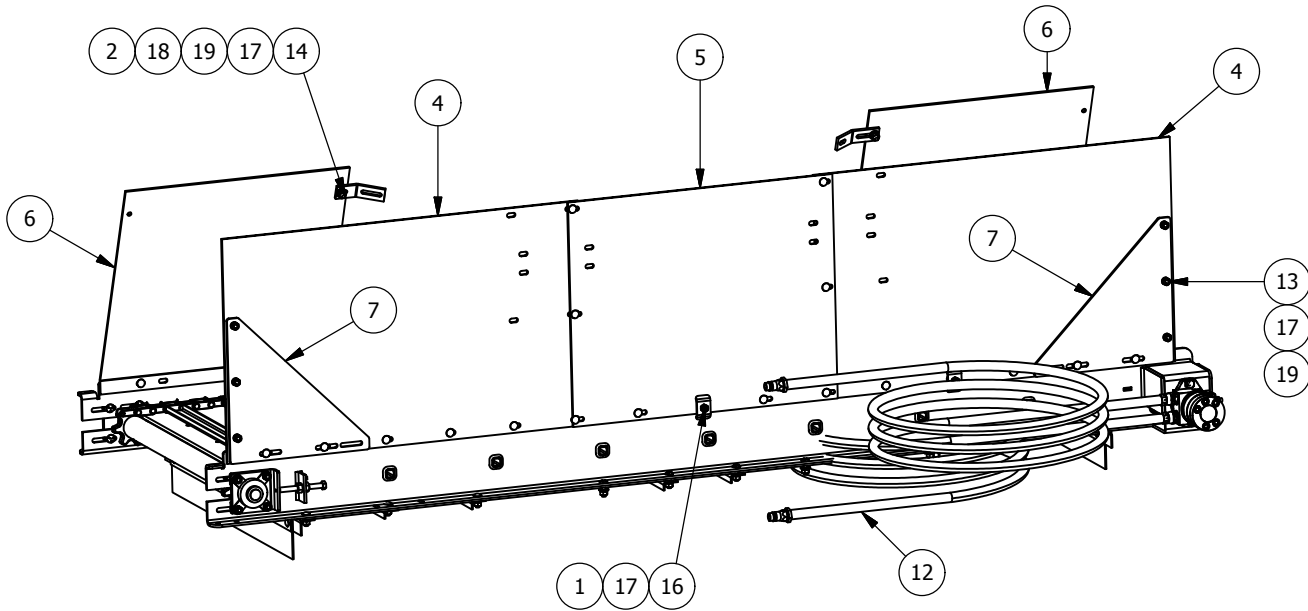
UNITS	PAPER A	SHEET 1 OF 1	R#	DATE	DESCRIPTION	DR	CK
TITLE 8FT FLAT ASSY (PARTS ORDER)					FILE NO	AAA-006-00988.idw	

DR JET	TOLERANCES (UNLESS SPECIFIED OTHERWISE) FRACTIONAL ± 1/16" DEC X.X ± 0.1" DEC X.XX ± 0.06" DEC X.XXX ± 0.031" ANGULAR ± 0.5°	
DAT 7/11/2013		
MAT		
<small>CONFIDENTIAL: THESE DRAWINGS AND COPIES THEREOF REMAIN THE PROPERTY OF JAY-LOR FABRICATING INC. ANY PERSON FOUND UNLAWFULLY USING, DISTRIBUTING, OR IN POSSESSION OF THE ABOVE WILL BE PROSECUTED</small>		

Parts List

ITEM	PART NUMBER	TITLE	QTY
1	AAA-006-00077	8 FT UNDERSHIELD 8FT FLAT CNVR	1
2	AAA-006-00089	8 FT FLAT CNVR WELDMENT GALVANIZED	1
3	AAA-006-00248	HDPE FLR 8FT FLAT CNVR 3/8T	1
4	AAA-006-00272	REMOVABLE CNVR MOTOR MNT COVER 3/16T	1
5	AAA-006-00351	CNVR FLNG BRNG HOLDER	2
6	AAA-006-00352	BOLT HEX FULL THREAD MOD 1/2 X 5 X 13	2
7	AAA-006-00406	SUPT ANGLE CNVR BOTTOM SHIELD	1
8	AAA-006-00408	SUPT ANGLE AND RUBR SHIELD MNT FOR FLAT CNVR 1/8T	1
9	AAA-006-00409	RUBR FLAP RETAINER FB	1
10	AAA-006-00410	RUBR FLAP FOR UNDERSIDE OF CNVR	1
11	AAA-006-00617	CNVR DRIVESHAFT ASSY	1
12	AAA-006-00618	CNVR IDLER SHAFT ASSY	1
13	AAB-006-00026	CNVR CHAIN COUPLER ASSY	1
14	AAB-006-00030	SHEAR KEY 1/4 X 1	1
15	AAB-006-00031	APRON CHAIN C55 W WITH 58 LINKS	1
16	AAB-009-00001	HYD CNVR MOTOR 1 KEYED	1
17	AAB-015-10028	BOLT CARRIAGE 3/8 X 1 UNC	7
18	AAB-015-10051	FLOORBOARD SCREW 1/4 X 1" TORX HEAD	10
19	AAB-015-10060	BOLT CARRIAGE 3/8 X 1-1/4 UNC GRD 2	7
20	AAB-015-10061	BOLT CARRIAGE 3/8 X 1-1/2 UNC GRD 5	16
21	AAB-015-10064	BOLT HEX 1/2 X 2 UNC GRD 5	2
22	AAB-015-20011	NUT HEX 1/2 UNC GRD 5	6
23	AAB-015-20017	NUT HEX 3/8 UNC GRD 2	30
24	AAB-015-30012	WSHR FLAT 3/8 USS	5
25	AAB-015-30013	WSHR FLAT 1/2 USS	2
26	AAB-015-30017	WSHR LOCK 3/8	26
27	AAB-015-30018	WSHR LOCK 1/2	2





Parts List

ITE	PART NUMBER	TITLE	QTY
1	AAA-002-00343	HYD HOSE CLIP	2
2	AAA-006-00078	SHIELD BRACE	2
3	AAA-006-00132	9FT 2 FLAT CNVR ASSY	1
4	AAA-006-00264	HDPE SHIELD CNVR SIDE 8 FT / 9 FT 2 1/4T	2
5	AAA-006-00265	HDPE SHIELD CNVR CTR 8 FT / 9 FT 2 1/4T	1
6	AAA-006-00324	HDPE SHIELD CNVR BACK 9 FT 2 FLAT 1/4T	2
7	AAA-006-00327	BRACE CNVR SHIELD 1/4T	2
8	AAA-006-00406	SUPT ANGLE CNVR BOTTOM SHIELD	4
9	AAA-006-00408	SUPT ANGLE AND RUBR SHIELD MNT FOR FLAT CNVR 1/8T	1
10	AAA-006-00409	RUBR FLAP RETAINER FB	1
11	AAA-006-00410	RUBR FLAP FOR UNDERSIDE OF CNVR	1
12	AAA-009-00098	KIT HYD HOSE AND FIT DUAL FLAT CNVR	1
13	AAB-015-10028	BOLT CARRIAGE 3/8 X 1 UNC	25
14	AAB-015-10060	BOLT CARRIAGE 3/8 X 1-1/4 UNC GRD 2	12
15	AAB-015-10061	BOLT CARRIAGE 3/8 X 1-1/2 UNC GRD 5	8
16	AAB-015-10081	BOLT CARRIAGE 3/8 X 2 UNC GRD 5	2
17	AAB-015-20017	NUT HEX 3/8 UNC GRD 2	49
18	AAB-015-30012	WSHR FLAT 3/8 USS	16
19	AAB-015-30017	WSHR LOCK 3/8	43

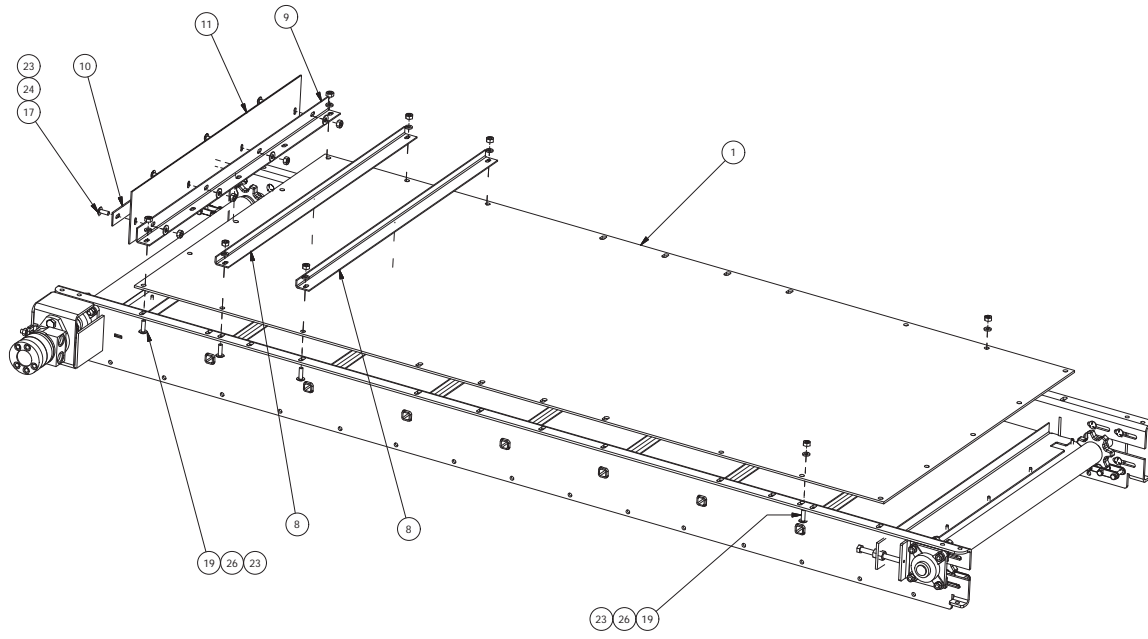
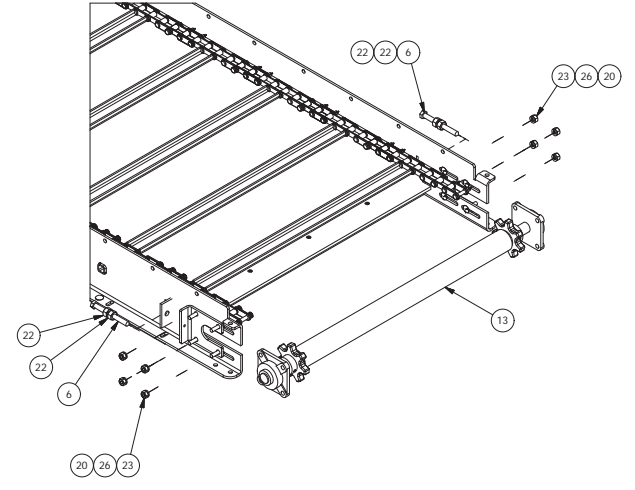
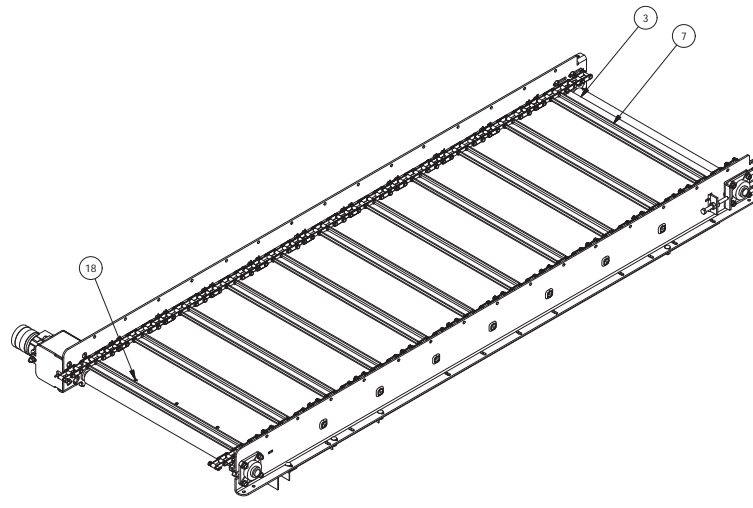
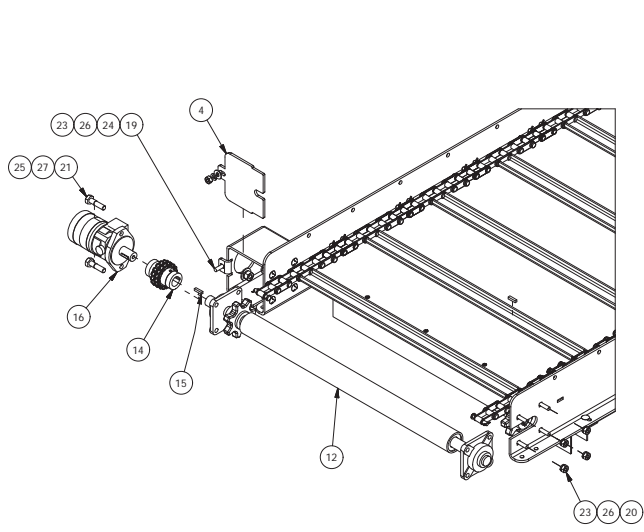
DR	BCN	TOLERANCES (UNLESS SPECIFIED OTHERWISE) FRACTIONAL ± 1/16" DEC X.X ± 0.1" DEC X.XX ± 0.06" DEC X.XXX ± 0.031" ANGULAR ± 0.5°	
DAT	7/11/2013		
MAT			

UNITS	PAPER A	SHEET 1 OF 1	R#	DATE	DESCRIPTION	DR	CK
TITLE 9 FT 2 FLAT ASSY (PARTS ORDER)					FILE NO	AAA-006-00990.idw	

CONFIDENTIAL: THESE DRAWINGS AND COPIES THEREOF REMAIN THE PROPERTY OF JAY-LOR FABRICATING INC. ANY PERSON FOUND UNLAWFULLY USING, DISTRIBUTING, OR IN POSSESSION OF THE ABOVE WILL BE PROSECUTED

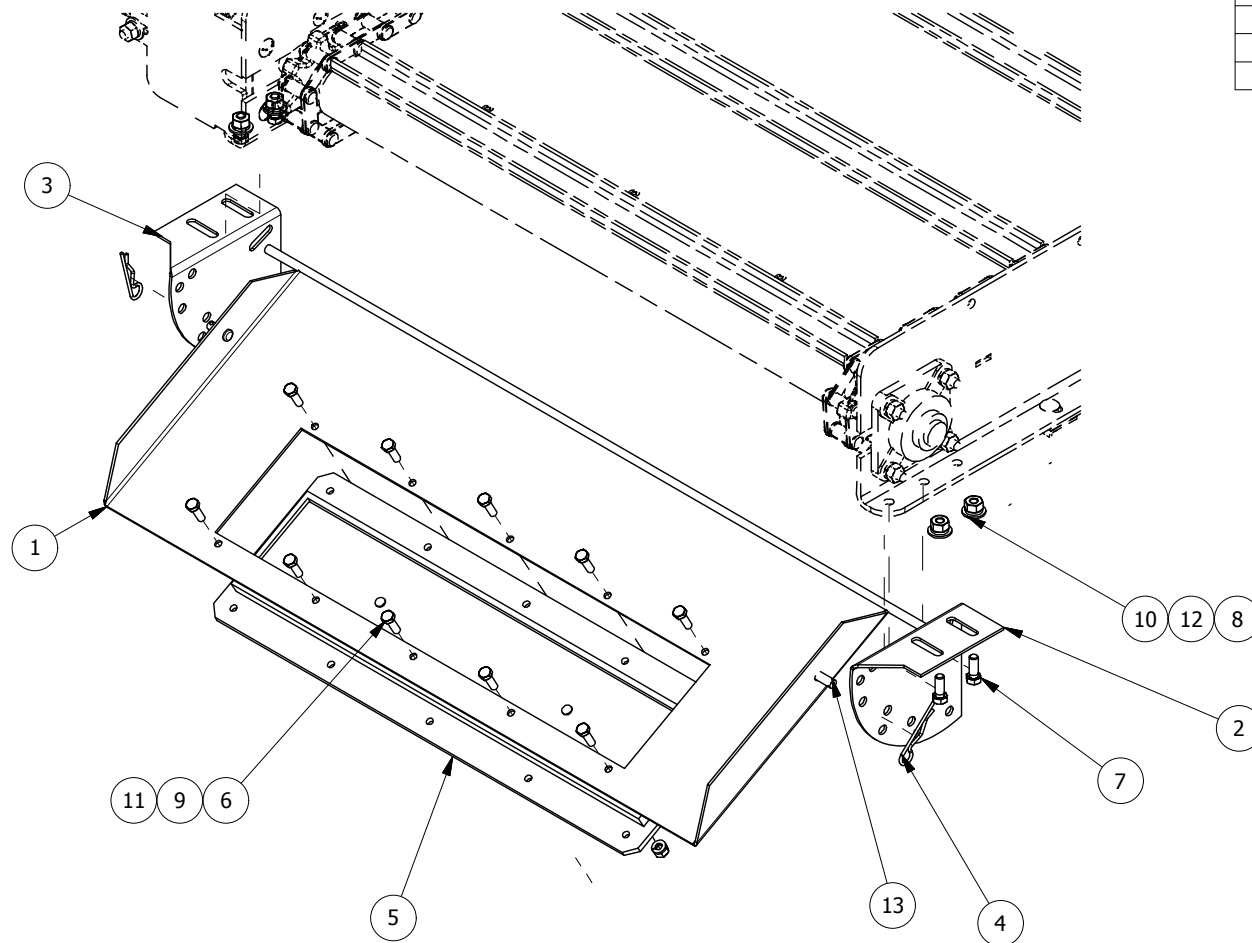
Parts List

ITEM	PART NUMBER	TITLE	QTY
1	AAA-006-00079	POLY UNDERSHIELD 9 FT 2 FLAT CNVR	1
2	AAA-006-00085	9 FT 2 FLAT CNVR WELDMENT GALVANIZED	1
3	AAA-006-00249	HDPE FLR 9FT 2 FLAT CNVR 3/8T	1
4	AAA-006-00272	REMOVABLE CNVR MOTOR MNT COVER 3/16T	1
5	AAA-006-00351	CNVR FLNG BRNG HOLDER	2
6	AAA-006-00352	BOLT HEX FULL THREAD MOD 1/2 X 5 X 13	2
7	AAA-006-00376	APRON CHAIN C55 9FT 2 FLAT (66 LINKS)	1
8	AAA-006-00406	SUPT ANGLE CNVR BOTTOM SHIELD	2
9	AAA-006-00408	SUPT ANGLE AND RUBR SHIELD MNT FOR FLAT CNVR 1/8T	1
10	AAA-006-00409	RUBR FLAP RETAINER FB	1
11	AAA-006-00410	RUBR FLAP FOR UNDERSIDE OF CNVR	1
12	AAA-006-00617	CNVR DRIVESHAFT ASSY	1
13	AAA-006-00618	CNVR IDLER SHAFT ASSY	1
14	AAA-006-00026	CNVR CHAIN COUPLER ASSY	1
15	AAB-006-00030	SHEAR KEY 1/4 X 1	2
16	AAB-009-00001	HYD CNVR MOTOR 1 KEVED	1
17	AAB-015-10028	BOLT CARRIAGE 3/8 X 1 UNC	7
18	AAB-015-10051	FLOORBOARD SCREW 1/4 X 1" TORX HEAD	10
19	AAB-015-10060	BOLT CARRIAGE 3/8 X 1-1/4 UNC GRD 2	9
20	AAB-015-10061	BOLT CARRIAGE 3/8 X 1-1/2 UNC GRD 5	16
21	AAB-015-10064	BOLT HEX 1/2 X 2 UNC GRD 5	2
22	AAB-015-20011	NUT HEX 1/2 UNC GRD 5	6
23	AAB-015-20017	NUT HEX 3/8 UNC GRD 2	32
24	AAB-015-30012	WSHR FLAT 3/8 USS	5
25	AAB-015-30013	WSHR FLAT 1/2 USS	2
26	AAB-015-30017	WSHR LOCK 3/8	28
27	AAB-015-30018	WSHR LOCK 1/2	2



Parts List

ITEM	PART NUMBER	TITLE	QTY
1	AAA-006-00015	CHUTE WELDMNT	1
2	AAA-006-00224	MAGNET CHUTE MNT LTH	1
3	AAA-006-00225	MAGNET CHUTE MNT RTH	1
4	AAB-001-00019	PIN HTCH CLIP 1/8 X 2-9/16	2
5	AAB-006-00035	MAGNET PLATE 25 X 8 X 1	1
6	AAB-015-10036	BOLT HEX 5/16 X 1 UNC GRD 5	10
7	AAB-015-10056	BOLT HEX 3/8 X 1 UNC GRD 2	4
8	AAB-015-20017	NUT HEX 3/8 UNC GRD 2	4
9	AAB-015-20020	NUT HEX 5/16 UNC GRD 2	10
10	AAB-015-30012	WSHR FLAT 3/8 USS	4
11	AAB-015-30016	WSHR LOCK 5/16	10
12	AAB-015-30017	WSHR LOCK 3/8	4
13	AAB-015-40007	PIN 3/8 X 7/8 PLT	2

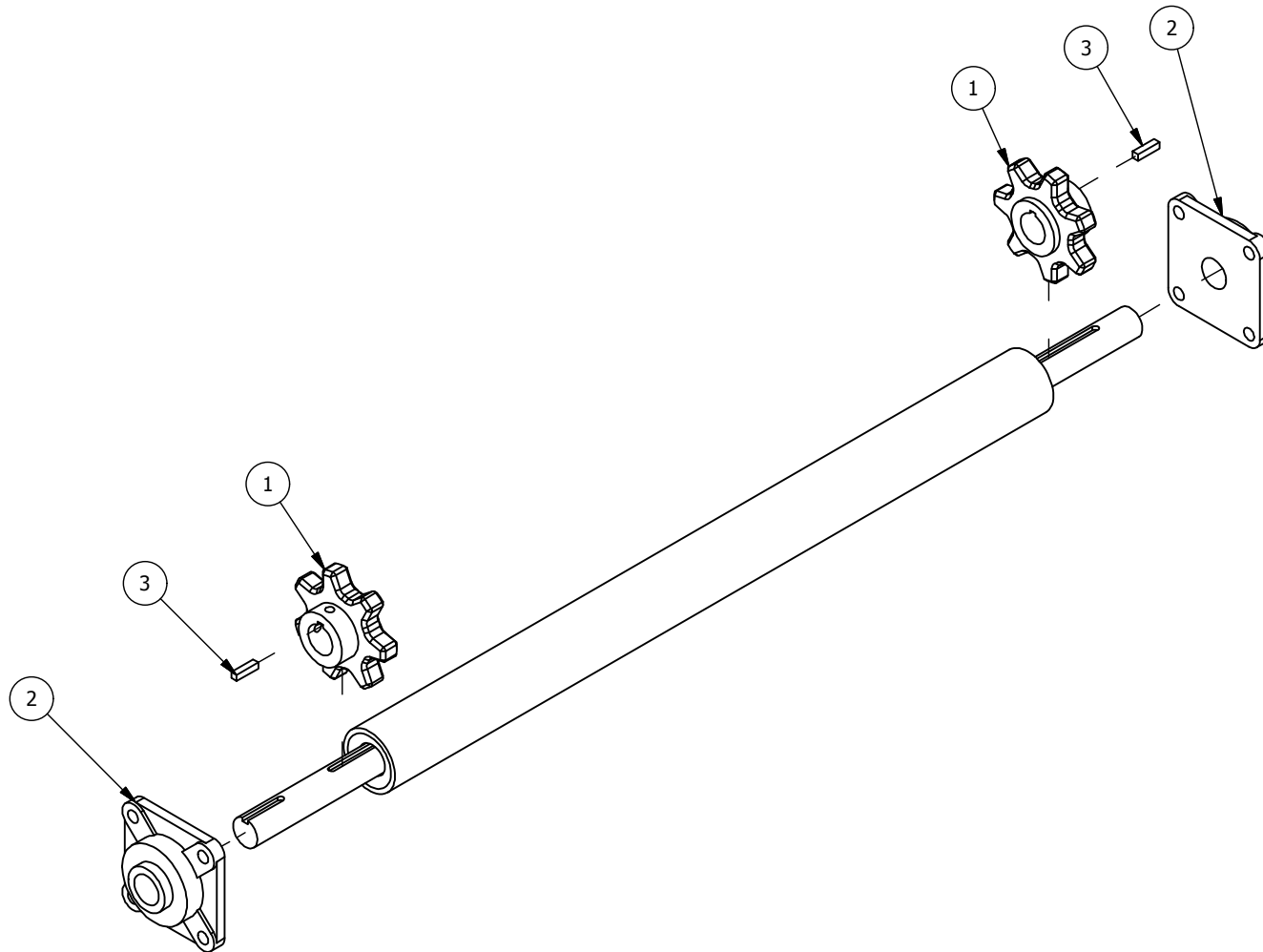


DR	JET	TOLERANCES (UNLESS SPECIFIED OTHERWISE) FRACTIONAL ± 1/16" DEC X.X ± 0.1" DEC X.XX ± 0.06" DEC X.XXX ± 0.031" ANGULAR ± 0.5°	JAY•LOR Fabricating Inc
DAT	1/20/2012		
MAT			

UNITS	PAPER A	SHEET 1 OF 1	R#	DATE	DESCRIPTION	DR	CK
TITLE KIT MAGNET CHUTE						FILE NO AAA-006-00545.idw	

CONFIDENTIAL: THESE DRAWINGS AND COPIES THEREOF REMAIN THE PROPERTY OF JAY-LOR FABRICATING INC. ANY PERSON FOUND UNLAWFULLY USING, DISTRIBUTING, OR IN POSSESSION OF THE ABOVE WILL BE PROSECUTED

Parts List			
ITEM	PART NUMBER	TITLE	QTY
1	AAB-006-00013	CAST SPROCKET KEYED	2
2	AAB-006-00009	FLNG BRNG 1-1/8 ID	2
3	AAB-006-00030	SHEAR KEY 1/4 X 1	2



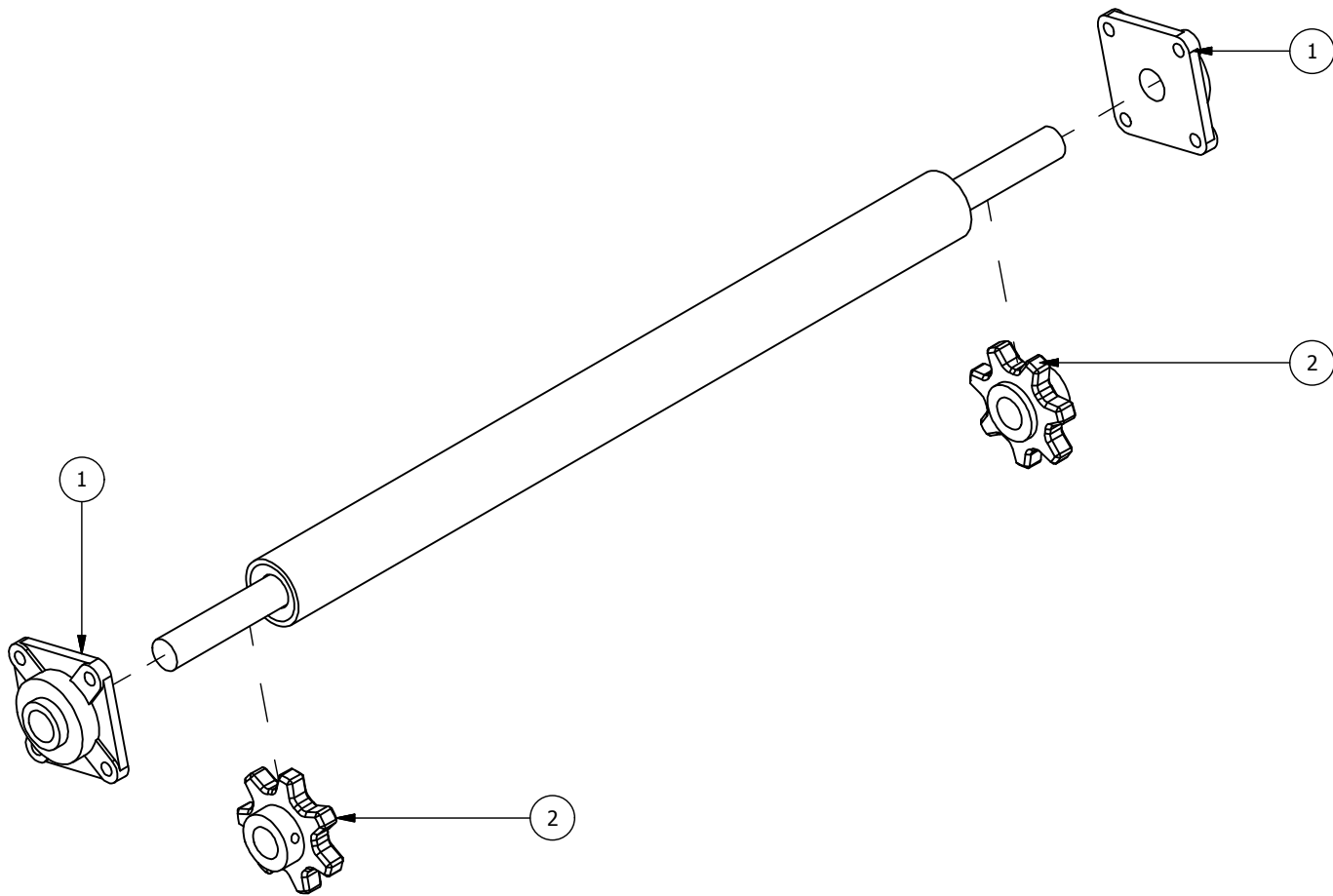
DR	LMV	TOLERANCES (UNLESS SPECIFIED OTHERWISE) FRACTIONAL ± 1/16" DEC X.X ± 0.1" DEC X.XX ± 0.06" DEC X.XXX ± 0.031" ANGULAR ± 0.5°	JAY•LOR® Fabricating Inc
DATE	3/7/2012		
MAT			

UNITS	PAPER A	SHEET 1 OF 1	R#	DATE	DESCRIPTION	DR	CK
-------	---------	--------------	----	------	-------------	----	----

TITLE CNVR DRIVESHAFT ASSY FILE NO AAA-006-00617.idw

CONFIDENTIAL: THESE DRAWINGS AND COPIES THEREOF REMAIN THE PROPERTY OF JAY-LOR FABRICATING INC. ANY PERSON FOUND UNLAWFULLY USING, DISTRIBUTING, OR IN POSSESSION OF THE ABOVE WILL BE PROSECUTED

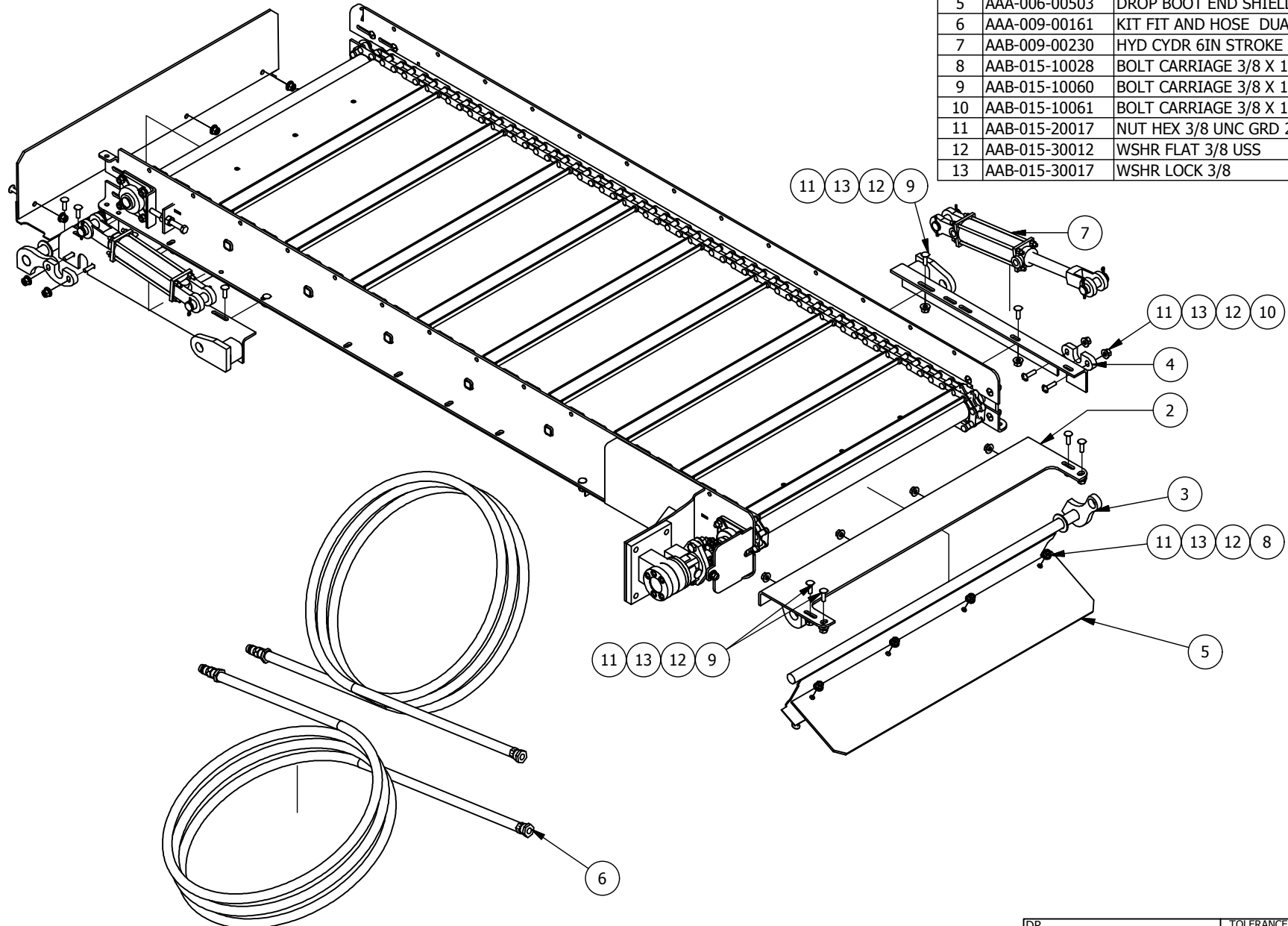
Parts List			
ITEM	PART NUMBER	TITLE	QTY
1	AAB-006-00009	FLNG BRNG 1-1/8 ID	2
2	AAB-006-00011	CAST SPROCKET WITH SET SCRW FOR IDLER	2



UNITS	PAPER A	SHEET 1 OF 1	R#	DATE	DESCRIPTION	DR	CK	MAT	TOLERANCES (UNLESS SPECIFIED OTHERWISE) FRACTIONAL ± 1/16" DEC X.X ± 0.1" DEC X.XX ± 0.06" DEC X.XXX ± 0.031" ANGULAR ± 0.5°	JAY•LOR® Fabricating Inc
TITLE CNVR IDLER SHAFT ASSY						FILE NO AAA-006-00618.idw		CONFIDENTIAL: THESE DRAWINGS AND COPIES THEREOF REMAIN THE PROPERTY OF JAY-LOR FABRICATING INC. ANY PERSON FOUND UNLAWFULLY USING, DISTRIBUTING, OR IN POSSESSION OF THE ABOVE WILL BE PROSECUTED		

Parts List

ITEM	PART NUMBER	TITLE	QTY
1	AAA-006-00485	DROP BOOT LOWER CYDR MNT WELDMNT	2
2	AAA-006-00486	DROP BOOT LOWER SHIELD WELDMNT	2
3	AAA-006-00487	DROP BOOT WELDMNT	2
4	AAA-006-00500	DROP BOOT LOCK PLT 5/8T	2
5	AAA-006-00503	DROP BOOT END SHIELD HDPE 0.22T	2
6	AAA-009-00161	KIT FIT AND HOSE DUAL CNVR DROP BOOT	1
7	AAB-009-00230	HYD CYDR 6IN STROKE X 2IN BORE	2
8	AAB-015-10028	BOLT CARRIAGE 3/8 X 1 UNC	16
9	AAB-015-10060	BOLT CARRIAGE 3/8 X 1-1/4 UNC GRD 2	12
10	AAB-015-10061	BOLT CARRIAGE 3/8 X 1-1/2 UNC GRD 5	4
11	AAB-015-20017	NUT HEX 3/8 UNC GRD 2	32
12	AAB-015-30012	WSHR FLAT 3/8 USS	32
13	AAB-015-30017	WSHR LOCK 3/8	32

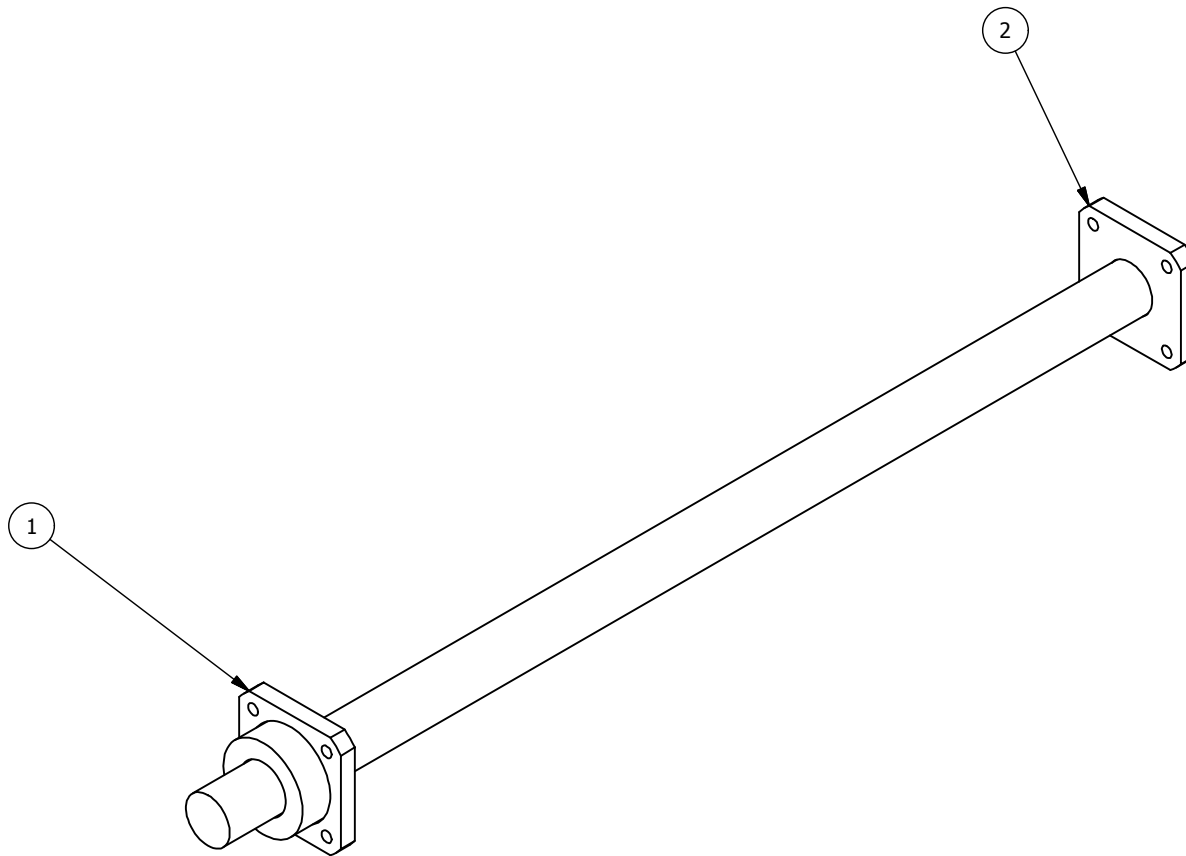


DR	LMV	TOLERANCES (UNLESS SPECIFIED OTHERWISE) FRACTIONAL ± 1/16" DEC X.X ± 0.1" DEC X.XX ± 0.06" DEC X.XXX ± 0.031" ANGULAR ± 0.5°	JAY•LOR Fabricating Inc
DAT	7/15/2009		
MAT			

UNITS	PAPER A	SHEET 1 OF 8	R#	DATE	DESCRIPTION	DR	CK
TITLE DUAL CNVR DROP BOOT ASSY						FILE NO	AAA-006-00490.idw

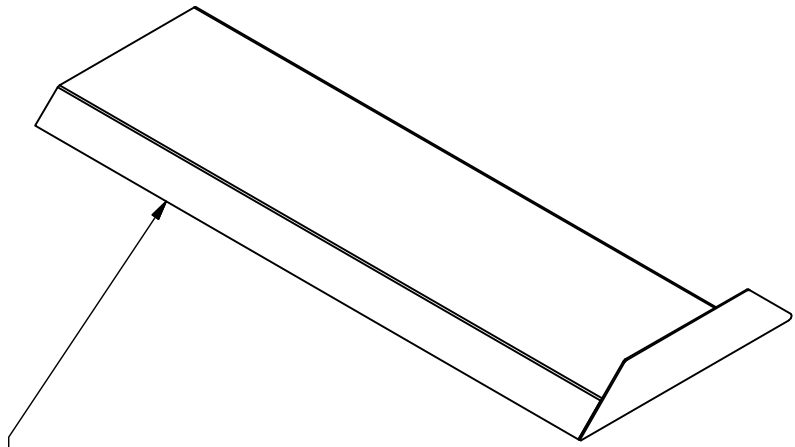
CONFIDENTIAL: THESE DRAWINGS AND COPIES THEREOF REMAIN THE PROPERTY OF JAY-LOR FABRICATING INC. ANY PERSON FOUND UNLAWFULLY USING, DISTRIBUTING, OR IN POSSESSION OF THE ABOVE WILL BE PROSECUTED

Parts List			
ITEM	PART NUMBER	TITLE	QTY
1	AAA-006-00043	CNVR WING SUPT BRNG WELDMNT	1
2	AAA-006-00166	CNVR PIN WELDMNT	1

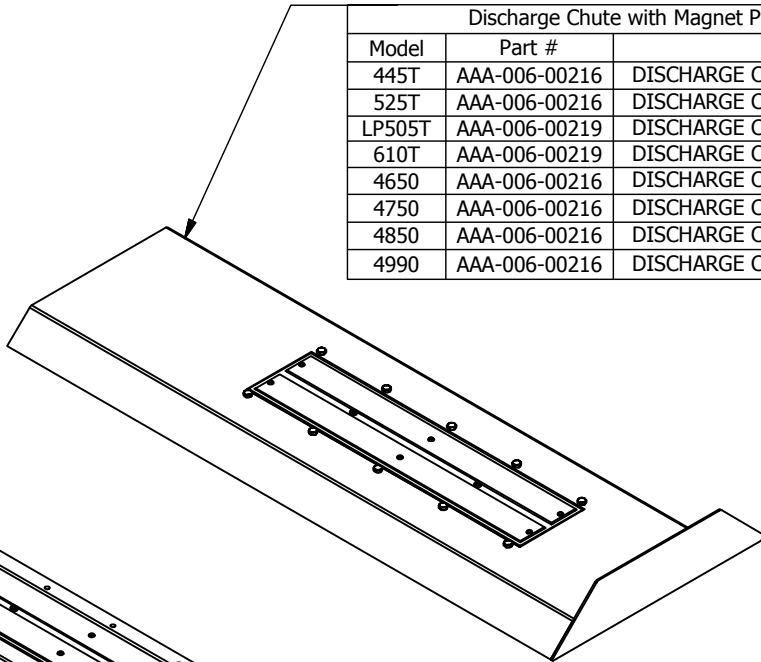


UNITS	INCHES	PAPER	A	SHEET	1 OF 1	R#	DATE	DESCRIPTION	DR	CK	MAT	TOLERANCES (UNLESS SPECIFIED OTHERWISE)	JAY•LOR® <i>Fabricating Inc</i>	
TITLE	CNVR PIVOT PIN ASSY							FILE NO	AAA-006-00616.idw		DR	LMV		FRACTIONAL ± 1/16"
												DEC X.X ± 0.1"		
												DEC X.XX ± 0.06"		
												DEC X.XXX ± 0.031"		
												ANGULAR ± 0.5°		
CONFIDENTIAL: THESE DRAWINGS AND COPIES THEREOF REMAIN THE PROPERTY OF JAY-LOR FABRICATING INC. ANY PERSON FOUND UNLAWFULLY USING, DISTRIBUTING, OR IN POSSESSION OF THE ABOVE WILL BE PROSECUTED														

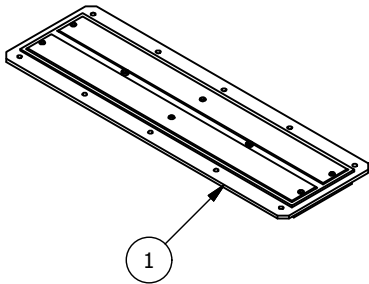
Parts List			
ITE	PART NUMBER	TITLE	QTY
1	AAB-006-00035	MAGNET PLATE 25 X 8 X 1	1



Discharge Chute Part Numbers		
Model	Part #	Title
445T	AAA-006-00217	DISCHARGE CHUTE 48W
525T	AAA-006-00217	DISCHARGE CHUTE 48W
LP505T	AAA-006-00221	DISCHARGE CHUTE 52W
610T	AAA-006-00221	DISCHARGE CHUTE 52W
4650	AAA-006-00217	DISCHARGE CHUTE 48W
4750	AAA-006-00217	DISCHARGE CHUTE 48W
4850	AAA-006-00217	DISCHARGE CHUTE 48W
4990	AAA-006-00217	DISCHARGE CHUTE 48W



Discharge Chute with Magnet Plate Part Numbers		
Model	Part #	Title
445T	AAA-006-00216	DISCHARGE CHUTE 48W W/ MAGNET BAR
525T	AAA-006-00216	DISCHARGE CHUTE 48W W/ MAGNET BAR
LP505T	AAA-006-00219	DISCHARGE CHUTE 52W W/ MAGNET BAR
610T	AAA-006-00219	DISCHARGE CHUTE 52W W/ MAGNET BAR
4650	AAA-006-00216	DISCHARGE CHUTE 48W W/ MAGNET BAR
4750	AAA-006-00216	DISCHARGE CHUTE 48W W/ MAGNET BAR
4850	AAA-006-00216	DISCHARGE CHUTE 48W W/ MAGNET BAR
4990	AAA-006-00216	DISCHARGE CHUTE 48W W/ MAGNET BAR



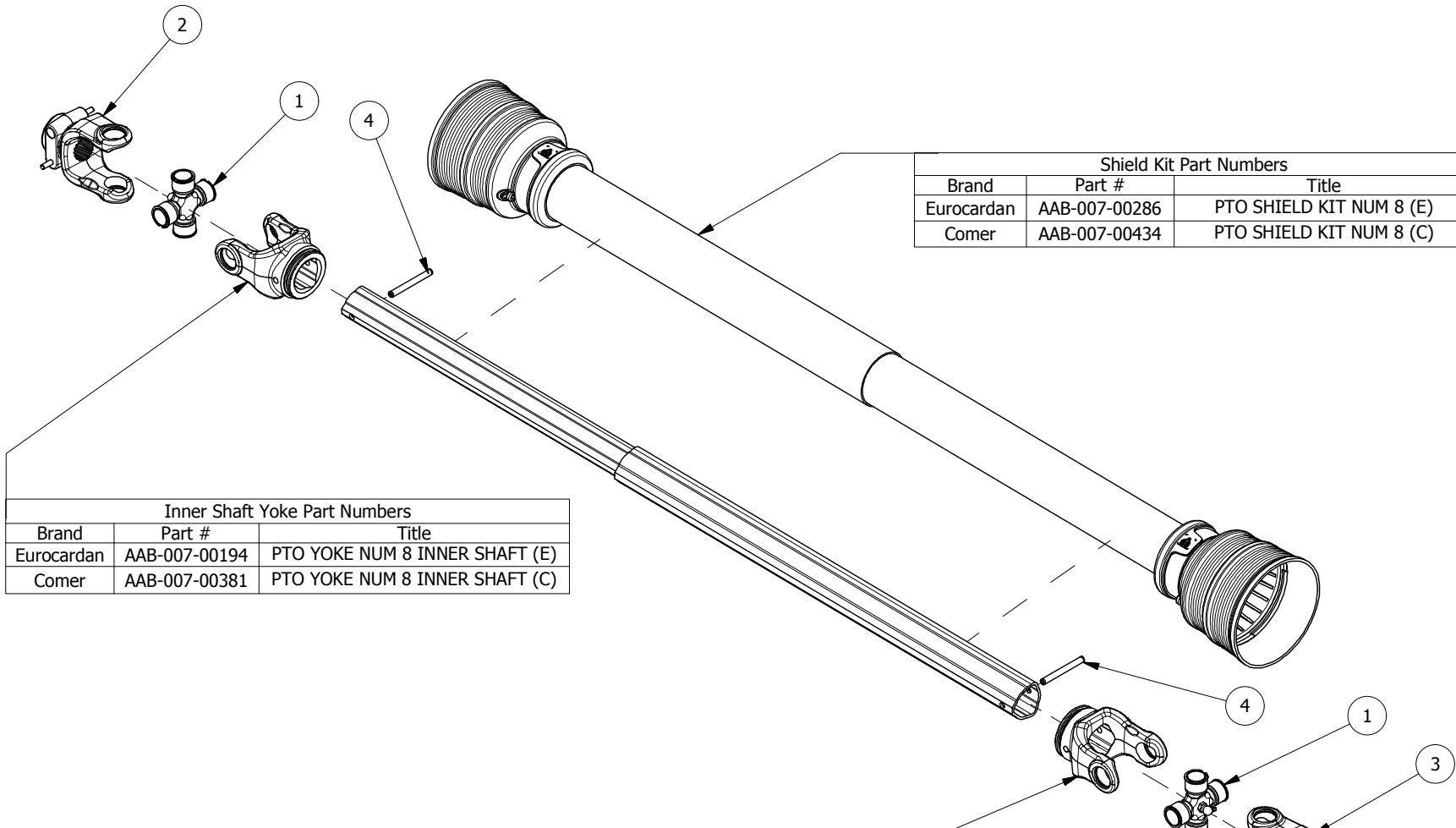
UNITS	PAPER A	SHEET 1 OF 1	R#	DATE	DESCRIPTION	DR	CK
TITLE TOTAL MIX CHUTE OPTIONS					FILE NO AAA-054-00016.idw		

DR GM	TOLERANCES (UNLESS SPECIFIED OTHERWISE) FRACTIONAL ± 1/16" DEC X.X ± 0.1" DEC X.XX ± 0.06" DEC X.XXX ± 0.031" ANGULAR ± 0.5°	JAY•LOR Fabricating Inc
DAT 5/9/2011		
MAT		
CONFIDENTIAL: THESE DRAWINGS AND COPIES THEREOF REMAIN THE PROPERTY OF JAY-LOR FABRICATING INC. ANY PERSON FOUND UNLAWFULLY USING, DISTRIBUTING, OR IN POSSESSION OF THE ABOVE WILL BE PROSECUTED		

L. 007 – DRIVELINE / GEARBOX PARTS**Drawing Number Reference Chart:**

Part	Model		
	4850HD	41000HD	41250HD
PTO Shaft (Standard)		AAB-007-00158 AAB-007-00159	
PTO Shaft (2-Speed)		AAB-007-00158 AAB-007-00159	
Drive Shaft Front (Standard)		AAB-007-00160	
Drive Shaft Front (2-Speed)		AAB-007-00161	
Drive Shaft Rear (Standard)		AAB-007-00162	
Drive Shaft Rear (2-Speed)		AAB-007-00162	
Standard Driveline		AAA-054-00130	
Driveline with 2-Speed		AAA-054-00128	
2-Speed Gearbox Reference Chart		AAA-054-00025	
2-Speed Gearbox AP502 (1.8:1)(1:1)		AAA-007-00002	
2-Speed Gearbox AP502 (1.3:1)(1:1)		AAA-007-00004	
2-Speed Grbx AP502 (1.8:1)(2.7:1)		AAA-007-00005	
2-Speed Gearbox AP602 (1.8:1)(1:1)		AAA-007-00693	
Bearing and Seal Kit (1602-1603)		AAA-007-00131	
Lower Planetary Kit (1603)		AAA-007-00132	
Input / Output Seals (1602-1603)		AAA-007-00133	
Upper Planetary Kit (1602-1603)		AAA-007-00134	

Parts List			
ITEM	PART NUMBER	TITLE	QTY
1	AAB-007-00190	PTO CROSS KIT NUM 8	2
2	AAB-007-00199	PTO YOKE NUM 8 1-3/4F X 20SP	1
3	AAB-007-00201	PTO YOKE NUM 8 1-3/8F X 21SP	1
4	AAB-007-00193	ROLL PIN 3/8DIA X 3.5L	2

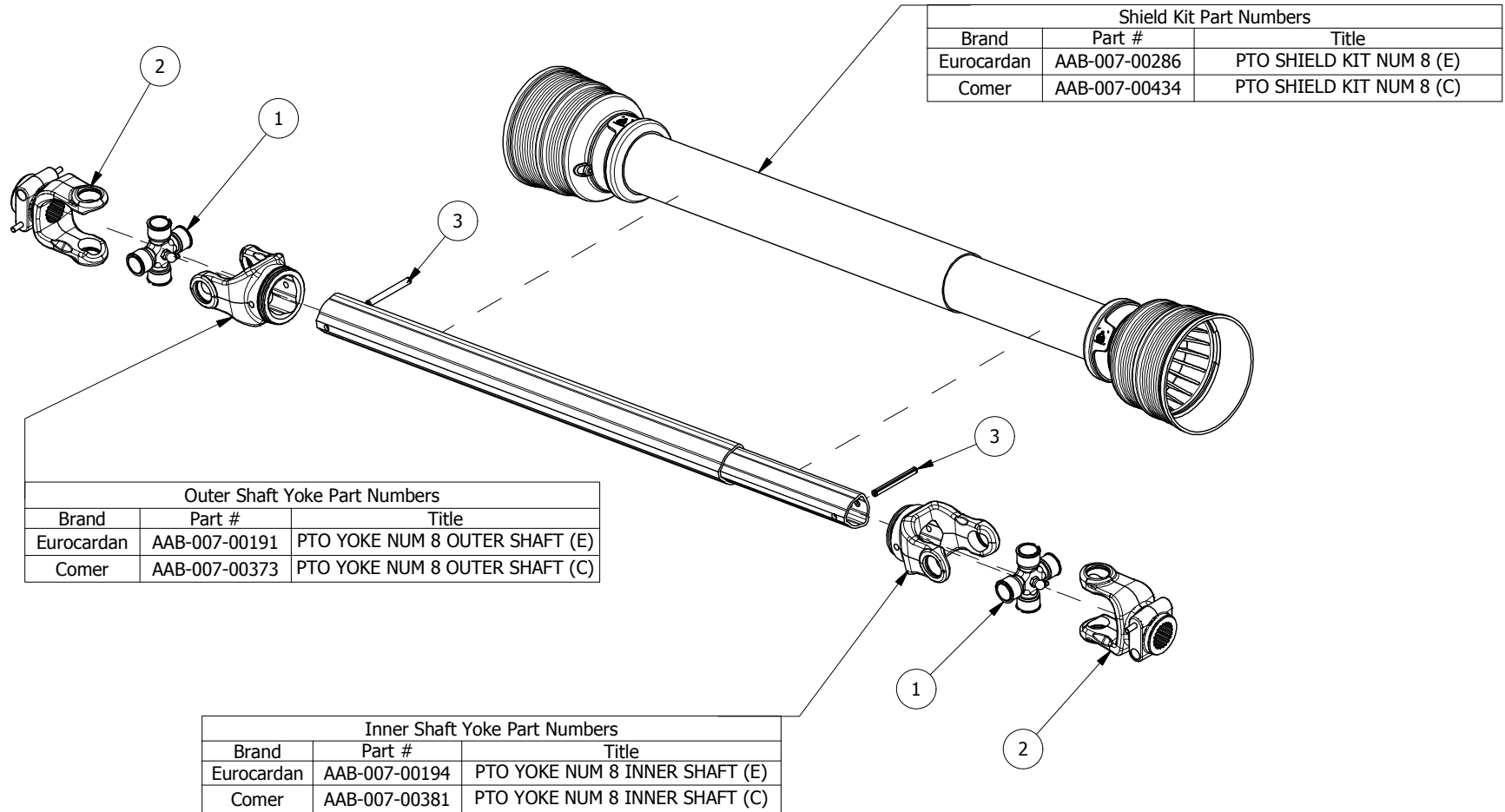


Shield Kit Part Numbers		
Brand	Part #	Title
Eurocardan	AAB-007-00286	PTO SHIELD KIT NUM 8 (E)
Comer	AAB-007-00434	PTO SHIELD KIT NUM 8 (C)

Inner Shaft Yoke Part Numbers		
Brand	Part #	Title
Eurocardan	AAB-007-00194	PTO YOKE NUM 8 INNER SHAFT (E)
Comer	AAB-007-00381	PTO YOKE NUM 8 INNER SHAFT (C)

Outer Shaft Yoke Part Numbers		
Brand	Part #	Title
Eurocardan	AAB-007-00191	PTO YOKE NUM 8 OUTER SHAFT (E)
Comer	AAB-007-00373	PTO YOKE NUM 8 OUTER SHAFT (C)

Parts List			
ITEM	PART NUMBER	TITLE	QTY
1	AAB-007-00190	PTO CROSS KIT NUM 8	2
2	AAB-007-00199	PTO YOKE NUM 8 1-3/4F X 20SP	2
3	AAB-007-00193	ROLL PIN 3/8DIA X 3.5L	2



Shield Kit Part Numbers		
Brand	Part #	Title
Eurocardan	AAB-007-00286	PTO SHIELD KIT NUM 8 (E)
Comer	AAB-007-00434	PTO SHIELD KIT NUM 8 (C)

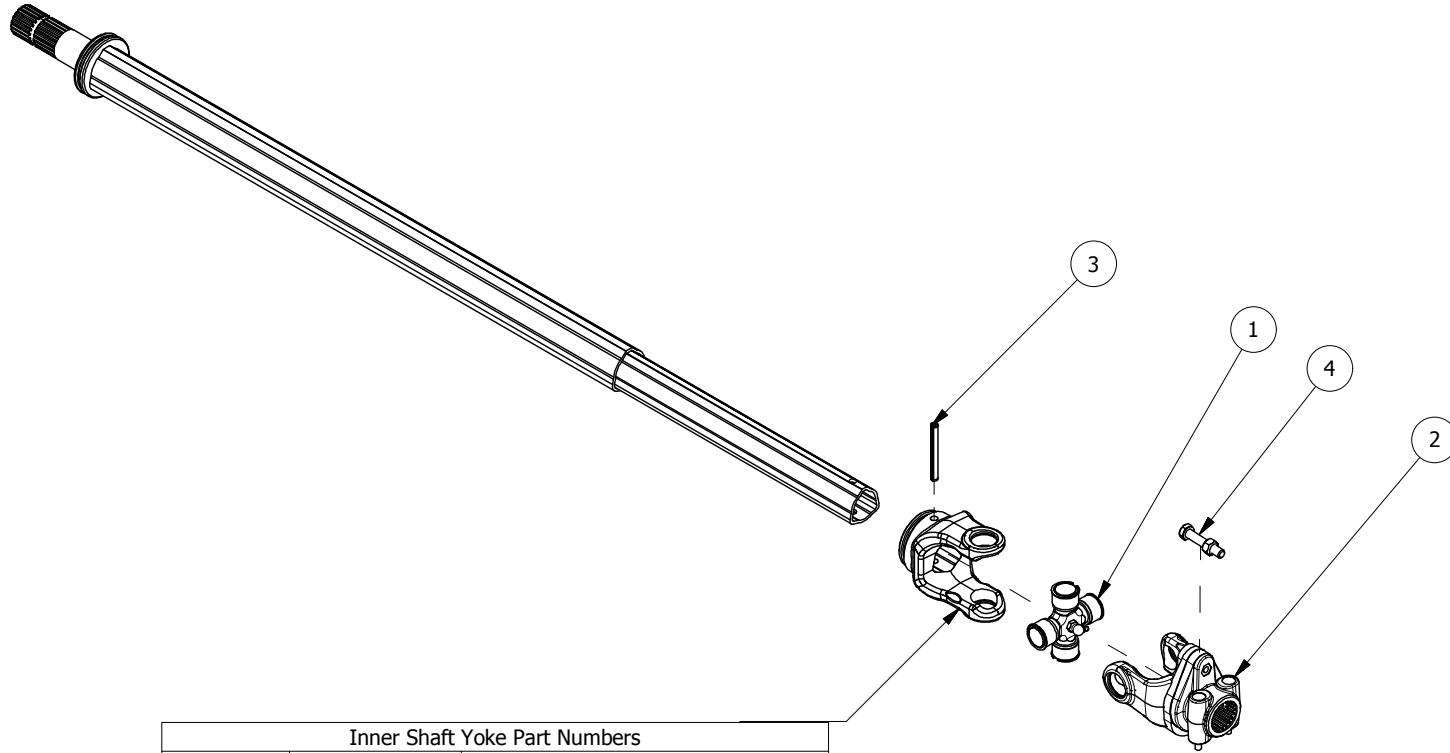
Outer Shaft Yoke Part Numbers		
Brand	Part #	Title
Eurocardan	AAB-007-00191	PTO YOKE NUM 8 OUTER SHAFT (E)
Comer	AAB-007-00373	PTO YOKE NUM 8 OUTER SHAFT (C)

Inner Shaft Yoke Part Numbers		
Brand	Part #	Title
Eurocardan	AAB-007-00194	PTO YOKE NUM 8 INNER SHAFT (E)
Comer	AAB-007-00381	PTO YOKE NUM 8 INNER SHAFT (C)

UNITS	PAPER A	SHEET 1 OF 1	R#	DATE	DESCRIPTION	DR	CK
TITLE					PTO NUM 8 1-3/4F 20SP X 1-3/4F 20SP X 42.13/64.17	FILE NO	
					AAB-007-00159.idw		

DR	LMV	TOLERANCES (UNLESS SPECIFIED OTHERWISE) FRACTIONAL ± 1/16" DEC X.X ± 0.1" DEC X.XX ± 0.06" DEC X.XXX ± 0.031" ANGULAR ± 0.5°	JAY•LOR Fabricating Inc
DAT	1/19/2012		
MAT			
CONFIDENTIAL: THESE DRAWINGS AND COPIES THEREOF REMAIN THE PROPERTY OF JAY-LOR FABRICATING INC. ANY PERSON FOUND UNLAWFULLY USING, DISTRIBUTING, OR IN POSSESSION OF THE ABOVE WILL BE PROSECUTED			

Parts List			
ITEM	PART NUMBER	TITLE	QTY
1	AAB-007-00190	PTO CROSS KIT NUM 8	1
2	AAB-007-00196	PTO YOKE NUM 8 1-3/4F X 20SP W/SB	1
3	AAB-007-00193	ROLL PIN 3/8DIA X 3.5L	1
4	AAB-015-10002	SHEAR BOLT AND NUT 12MM X 65MM GRD 8.8	1



Inner Shaft Yoke Part Numbers		
Brand	Part #	Title
Eurocardan	AAB-007-00194	PTO YOKE NUM 8 INNER SHAFT (E)
Comer	AAB-007-00381	PTO YOKE NUM 8 INNER SHAFT (C)

DR	LMV
DAT	1/19/2012
MAT	

TOLERANCES (UNLESS SPECIFIED OTHERWISE)	
FRACTIONAL	± 1/16"
DEC X.X	± 0.1"
DEC X.XX	± 0.06"
DEC X.XXX	± 0.031"
ANGULAR	± 0.5°

JAY-LOR
Fabricating Inc

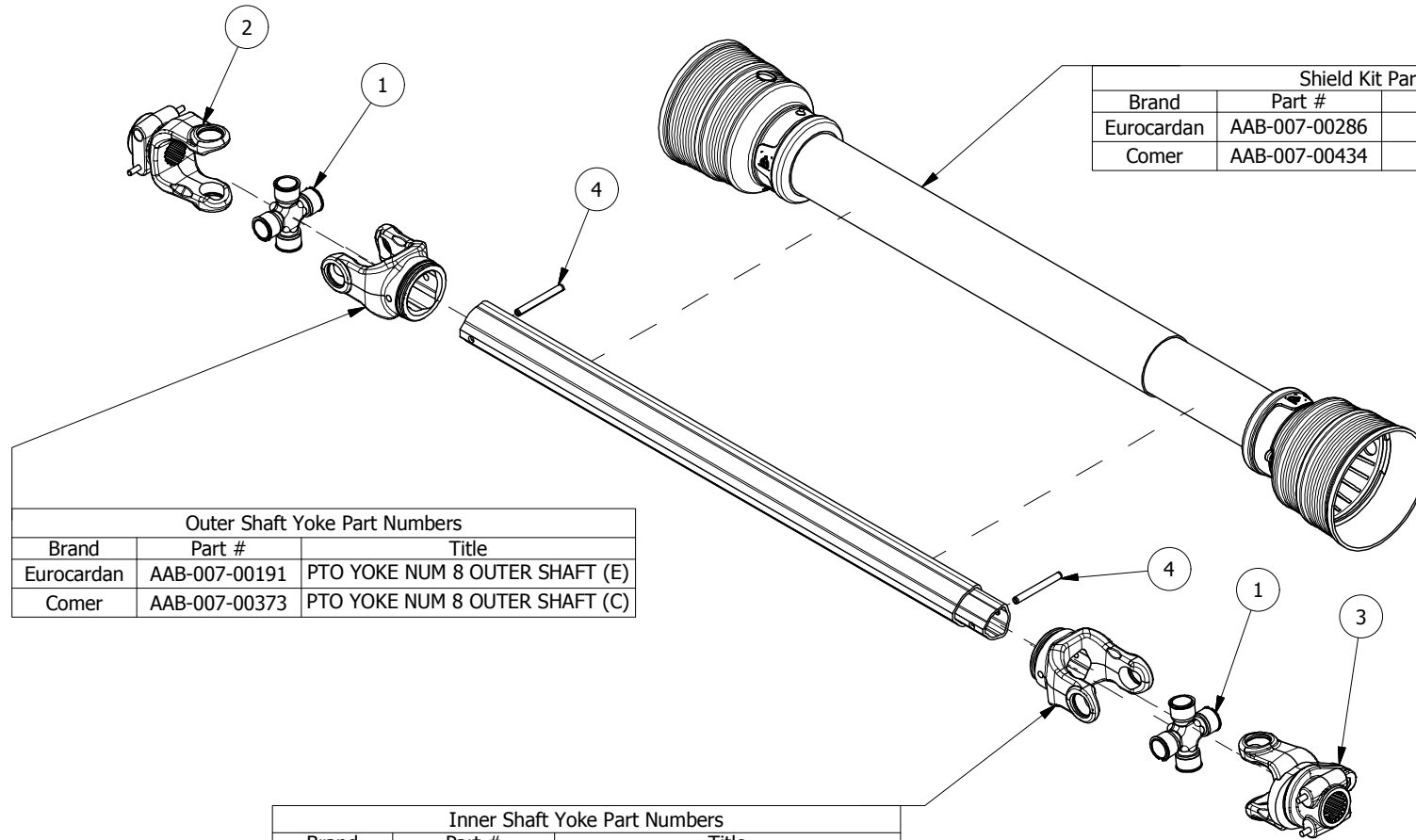
UNITS	PAPER A	SHEET 1 OF 1	R#	DATE	DESCRIPTION	DR	CK
-------	---------	--------------	----	------	-------------	----	----

TITLE PTO NUM 8 1-3/4M 20SP X 1-3/4F 20SP WSB X 44.49/69.29

FILE NO AAB-007-00160.idw

CONFIDENTIAL: THESE DRAWINGS AND COPIES THEREOF REMAIN THE PROPERTY OF JAY-LOR FABRICATING INC. ANY PERSON FOUND UNLAWFULLY USING, DISTRIBUTING, OR IN POSSESSION OF THE ABOVE WILL BE PROSECUTED

Parts List			
ITEM	PART NUMBER	TITLE	QTY
1	AAB-007-00190	PTO CROSS KIT NUM 8	2
2	AAB-007-00199	PTO YOKE NUM 8 1-3/4F X 20SP	1
3	AAB-007-00196	PTO YOKE NUM 8 1-3/4F X 20SP W/SB	1
4	AAB-007-00193	ROLL PIN 3/8DIA X 3.5L	2



Shield Kit Part Numbers		
Brand	Part #	Title
Eurocardan	AAB-007-00286	PTO SHIELD KIT NUM 8 (E)
Comer	AAB-007-00434	PTO SHIELD KIT NUM 8 (C)

Outer Shaft Yoke Part Numbers		
Brand	Part #	Title
Eurocardan	AAB-007-00191	PTO YOKE NUM 8 OUTER SHAFT (E)
Comer	AAB-007-00373	PTO YOKE NUM 8 OUTER SHAFT (C)

Inner Shaft Yoke Part Numbers		
Brand	Part #	Title
Eurocardan	AAB-007-00194	PTO YOKE NUM 8 INNER SHAFT (E)
Comer	AAB-007-00381	PTO YOKE NUM 8 INNER SHAFT (C)

DR	LMV	TOLERANCES (UNLESS SPECIFIED OTHERWISE) FRACTIONAL ± 1/16" DEC X.X ± 0.1" DEC X.XX ± 0.06" DEC X.XXX ± 0.031" ANGULAR ± 0.5°	JAY•LOR Fabricating Inc
DAT	1/19/2012		
MAT			

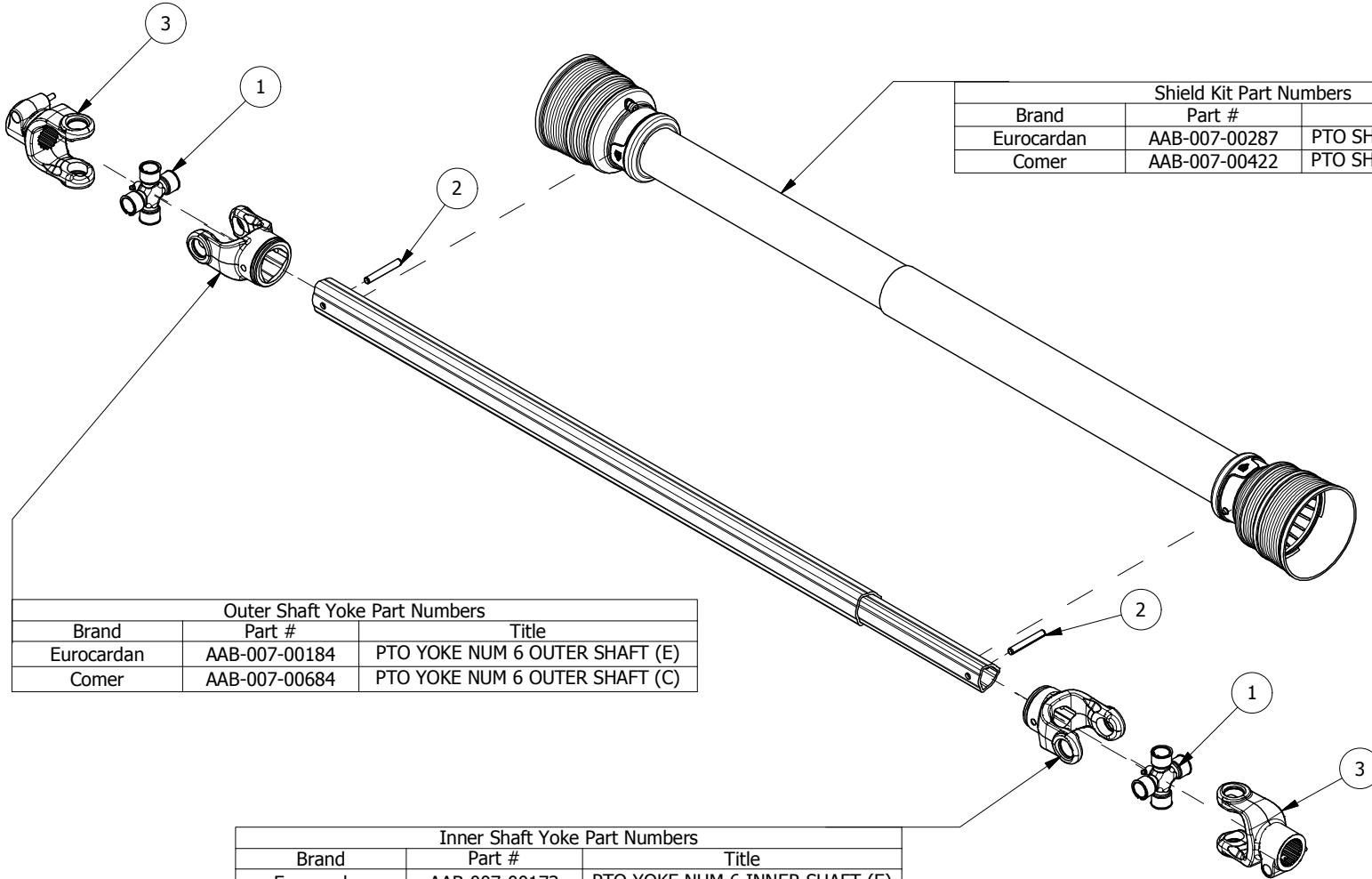
UNITS	PAPER A	SHEET 1 OF 1	R#	DATE	DESCRIPTION	DR	CK
-------	---------	--------------	----	------	-------------	----	----

TITLE PTO NUM 8 1-3/4F 20 SP X 1-3/4F 20SP WSB X 48.03/73.82

FILE NO AAB-007-00161.idw

CONFIDENTIAL: THESE DRAWINGS AND COPIES THEREOF REMAIN THE PROPERTY OF JAY-LOR FABRICATING INC. ANY PERSON FOUND UNLAWFULLY USING, DISTRIBUTING, OR IN POSSESSION OF THE ABOVE WILL BE PROSECUTED

Parts List			
ITEM	PART NUMBER	TITLE	QTY
1	AAB-007-00183	PTO CROSS KIT NUM 6	2
2	AAB-007-00177	PTO ROLL PIN NUM 6	2
3	AAB-007-00185	PTO YOKE NUM 6 1-3/4F X 20SP	2



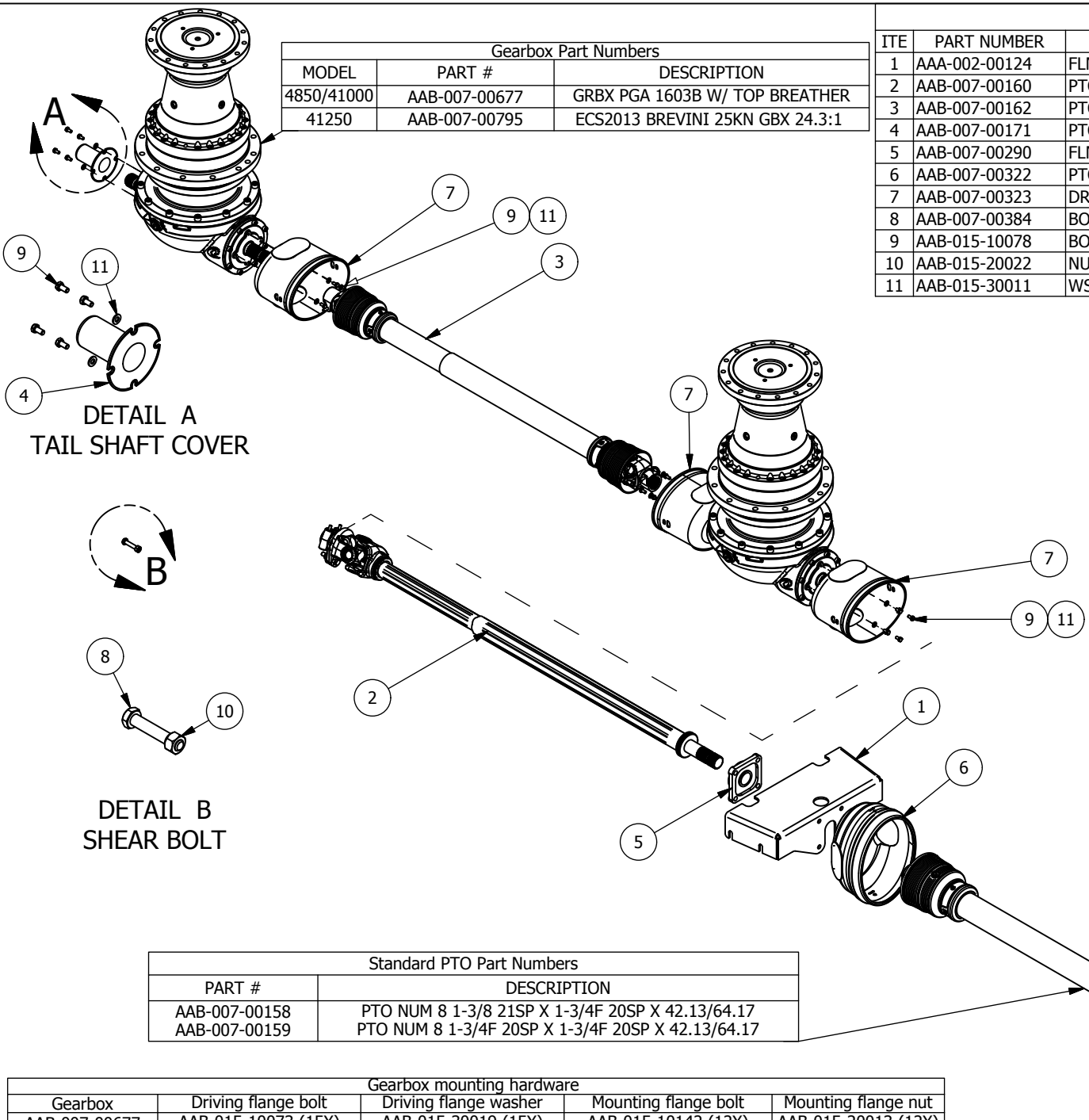
Shield Kit Part Numbers		
Brand	Part #	Title
Eurocardan	AAB-007-00287	PTO SHIELD KIT NUM 6 (E)
Comer	AAB-007-00422	PTO SHIELD KIT NUM 6 (C)

Outer Shaft Yoke Part Numbers		
Brand	Part #	Title
Eurocardan	AAB-007-00184	PTO YOKE NUM 6 OUTER SHAFT (E)
Comer	AAB-007-00684	PTO YOKE NUM 6 OUTER SHAFT (C)

Inner Shaft Yoke Part Numbers		
Brand	Part #	Title
Eurocardan	AAB-007-00173	PTO YOKE NUM 6 INNER SHAFT (E)
Comer	AAB-007-00176	PTO YOKE NUM 6 INNER SHAFT (C)

UNITS	PAPER	SHEET	R#	DATE	DESCRIPTION	DR	CK
	A	1 OF 1					
TITLE					PTO NUM 6 1-3/4F 20SP X 1-3/4F 20SP X 51.57/80.31		
					FILE NO AAB-007-00162.idw		

DR	LMV	TOLERANCES (UNLESS SPECIFIED OTHERWISE) FRACTIONAL ± 1/16" DEC X.X ± 0.1" DEC X.XX ± 0.06" DEC X.XXX ± 0.031" ANGULAR ± 0.5°	JAY-LOR Fabricating Inc
DAT	1/19/2012		
MAT			
CONFIDENTIAL: THESE DRAWINGS AND COPIES THEREOF REMAIN THE PROPERTY OF JAY-LOR FABRICATING INC. ANY PERSON FOUND UNLAWFULLY USING, DISTRIBUTING, OR IN POSSESSION OF THE ABOVE WILL BE PROSECUTED			



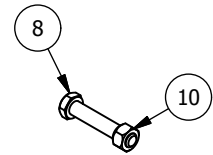
Gearbox Part Numbers		
MODEL	PART #	DESCRIPTION
4850/41000	AAB-007-00677	GRBX PGA 1603B W/ TOP BREATHER
41250	AAB-007-00795	ECS2013 BREVINI 25KN GBX 24.3:1

Parts List			
ITE	PART NUMBER	TITLE	QTY
1	AAA-002-00124	FLNG BRNG MNT BRKT 1/4T	1
2	AAB-007-00160	PTO NUM 8 1-3/4M 20SP X 1-3/4F 20SP WSB X 44.49/69.29	1
3	AAB-007-00162	PTO NUM 6 1-3/4F 20SP X 1-3/4F 20SP X 51.57/80.31	1
4	AAB-007-00171	PTO TAIL SHAFT COVER	1
5	AAB-007-00290	FLNG BRNG 1-3/4 UCF 209-28	1
6	AAB-007-00322	PTO COVER YELLOW	1
7	AAB-007-00323	DRIVESHFT COUNTER CONE BLACK WITH FLAPS	3
8	AAB-007-00384	BOLT SHEAR HEX 12MM X 65MM UNF GRD 8.8	1
9	AAB-015-10078	BOLT HEX 8MM X 16MM GRD 8.8	16
10	AAB-015-20022	NUT HEX ALL STL LOCK 12MM	1
11	AAB-015-30011	WSHR FLAT 5/16 USS	16

DETAIL A
TAIL SHAFT COVER



DETAIL B
SHEAR BOLT



CV PTO Option Part Numbers	
PART #	DESCRIPTION
AAB-007-00163	PTO NUM 8 1-3/4F 20SP CV X 1-3/4F 20SP X 35.43/52.75
AAB-007-00167	PTO NUM 8 1-3/8F 21SP CV X 1-3/4F 20SP X 35.43/52.75

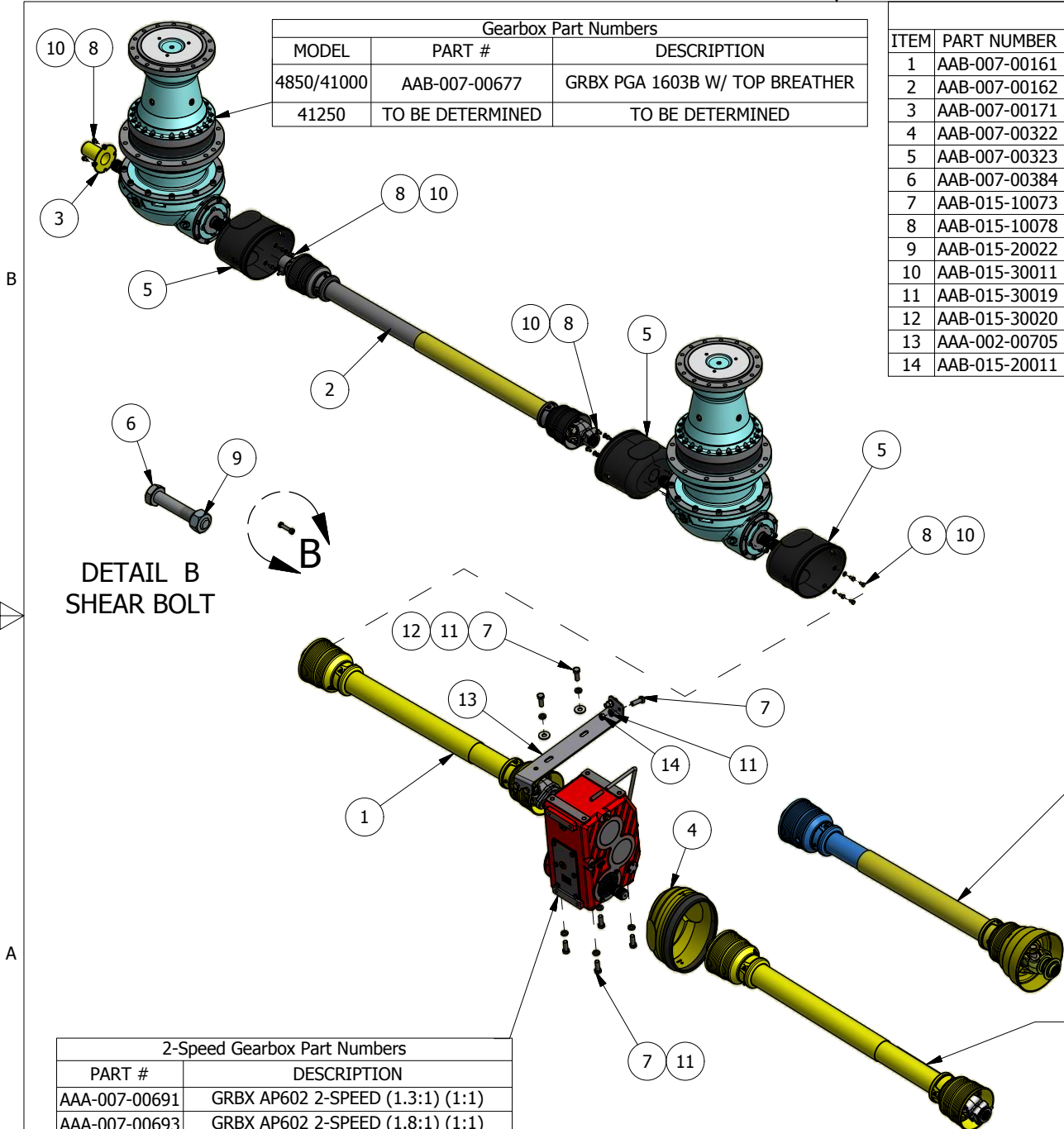
Standard PTO Part Numbers	
PART #	DESCRIPTION
AAB-007-00158	PTO NUM 8 1-3/8 21SP X 1-3/4F 20SP X 42.13/64.17
AAB-007-00159	PTO NUM 8 1-3/4F 20SP X 1-3/4F 20SP X 42.13/64.17

Gearbox mounting hardware				
Gearbox	Driving flange bolt	Driving flange washer	Mounting flange bolt	Mounting flange nut
AAB-007-00677	AAB-015-10073 (15X)	AAB-015-30019 (15X)	AAB-015-10142 (12X)	AAB-015-20013 (12X)
AAB-007-00795	AAB-015-10152 (15X)	AAB-015-30037 (15X)	AAB-015-10151 (16X)	AAB-015-20044 (16X)

DR	Jan van Ee	TOLERANCES (UNLESS SPECIFIED OTHERWISE) FRACTIONAL ± 1/16" DEC X.X ± 0.1" DEC X.XX ± 0.06" DEC X.XXX ± 0.031" ANGULAR ± 0.5°	JAY-LOR Fabricating Inc
DAT	10/31/2012		
MAT			

Gearbox Part Numbers		
MODEL	PART #	DESCRIPTION
4850/41000	AAB-007-00677	GRBX PGA 1603B W/ TOP BREATHER
41250	TO BE DETERMINED	TO BE DETERMINED

Parts List			
ITEM	PART NUMBER	TITLE	QTY
1	AAB-007-00161	PTO NUM 8 1-3/4F 20 SP X 1-3/4F 20SP WSB X 48.03/73.82	1
2	AAB-007-00162	PTO NUM 6 1-3/4F 20SP X 1-3/4F 20SP X 51.57/80.31	1
3	AAB-007-00171	PTO TAIL SHAFT COVER	1
4	AAB-007-00322	PTO COVER YELLOW	1
5	AAB-007-00323	DRIVESHFT COUNTER CONE BLACK WITH FLAPS	3
6	AAB-007-00384	BOLT SHEAR HEX 12MM X 65MM UNF GRD 8.8	1
7	AAB-015-10073	BOLT HEX 16MM X 45MM GRD 10.9	10
8	AAB-015-10078	BOLT HEX 8MM X 16MM GRD 8.8	20
9	AAB-015-20022	NUT HEX ALL STL LOCK 12MM	1
10	AAB-015-30011	WSHR FLAT 5/16 USS	20
11	AAB-015-30019	WSHR LOCK 5/8	10
12	AAB-015-30020	WSHR FLAT 5/8 USS	2
13	AAA-002-00705	FRT FRAME CROSSMEMBER / TOP 2-SPEED MNT 1/4T HD MODELS	1
14	AAB-015-20011	NUT HEX 1/2 UNC GRD 5	4



DETAIL B
SHEAR BOLT

CV PTO Option Part Numbers	
PART #	DESCRIPTION
AAB-007-00163	PTO NUM 8 1-3/4F 20SP CV X 1-3/4F 20SP X 35.43/52.75
AAB-007-00167	PTO NUM 8 1-3/8F 21SP CV X 1-3/4F 20SP X 35.43/52.75

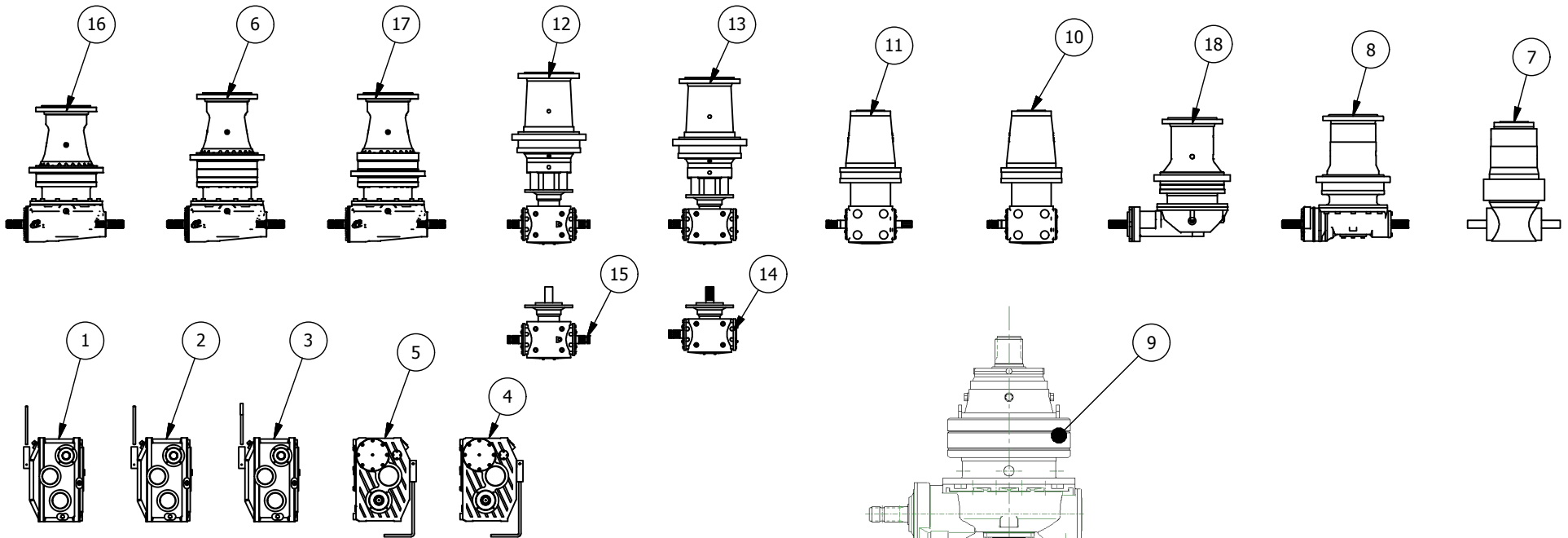
Standard PTO Part Numbers	
PART #	DESCRIPTION
AAB-007-00158	PTO NUM 8 1-3/8 21SP X 1-3/4F 20SP X 42.13/64.17
AAB-007-00159	PTO NUM 8 1-3/4F 20SP X 1-3/4F 20SP X 42.13/64.17

2-Speed Gearbox Part Numbers	
PART #	DESCRIPTION
AAA-007-00691	GRBX AP602 2-SPEED (1.3:1) (1:1)
AAA-007-00693	GRBX AP602 2-SPEED (1.8:1) (1:1)

DRAWN BY	Jan .v. Ee	TOLERANCES	JAY-LOR Fabricating Inc
CHECKED BY		FRACTION ± 1/8	
DATE	9/18/2012	DECIMAL ± 1/32	
MATERIAL		ANGLES ± 1/2°	SCALE
FILE NO	AAA-054-00121.idw		AAA-054-00121

UNITS	PAPER	A	SHEET	1 OF 1	R#	DATE	DESCRIPTION	DR	CK	
TITLE							HD SERIES TWIN AUGER DRIVELINE WITH 2-SPEED			

Parts List				
ITEM	PART NUMBER	TITLE	QTY	UNIT QTY
1	AAA-007-00002	GRBX AP502 2-SPEED (1.8:1) (1:1) PAINTED	1	10.5L / 2.8 US Gal
2	AAA-007-00004	GRBX AP502 2-SPEED (1.3:1) (1:1) PAINTED	1	10.5L / 2.8 US Gal
3	AAA-007-00005	GRBX AP502 2-SPEED (1.8:1) (2.7:1) PAINTED	1	10.5L / 2.8 US Gal
4	AAA-007-00691	GRBX AP602 2-SPEED (1.3:1) (1:1)	1	10.5L / 2.8 US Gal
5	AAA-007-00693	GRBX AP602 2-SPEED (1.8:1) (1:1)	1	10.5L / 2.8 US Gal
6	AAB-007-00147	GRBX PGA 1603/ 25.89:1/ 1-3/4 Z20	1	22L / 5.82 US Gal
7	AAB-007-00284	GRBX PLA 1000/ 3-SHAFT/ 13.35:1/ 1-3/4 Z20	1	12L / 3.15 US Gal
8	AAB-007-00285	GRBX PLA 1502 RR/ 3-SHAFT/ 14:1/ 1-3/4 Z20	1	15.5L / 4.1 US Gal
9	AAB-007-00329	GRBX PGA 1602 MS CC500/ 2-SHAFT/ 13.2:1/ 1-3/4 Z20	1	15.5L / 4.1 US Gal
10	AAB-007-00445	GRBX PGA 1002/ 2-SHAFT/ 13.5:1/ 1-3/4 Z20	1	12L / 3.15 US Gal
11	AAB-007-00455	GRBX PGA 1002/ 3-SHAFT/ 13.5:1/ 1-3/4 Z20	1	12L / 3.15 US Gal
12	AAB-007-00520	GRBX PG 1802/ 3-SHAFT/ 1.15:1/ 1-3/4 Z20	1	22L / 5.82 US Gal
13	AAB-007-00521	GRBX PG 1802/ 2-SHAFT/ 1.15:1/ 1-3/4 Z20	1	22L / 5.82 US Gal
14	AAB-007-00535	GRBX T269B/ 2-SHAFT/ 1.15:1/ 1-3/4 20SP	1	4.5L / 1.18 Gal
15	AAB-007-00543	GRBX T269B/ 3-SHAFT/ 1.15:1/ 1-3/4 20SP	1	4.5L / 1.18 Gal
16	AAB-007-00671	GRBX PGA 1602/ 13.4:1/ 1-3/4 Z20/ TOP BREATHER	1	20L / 4.75 US Gal
17	AAB-007-00677	GRBX PGA 1603B/ 25.89:1/ 1-3/4 Z20/ TOP BREATHER	1	22L / 5.82 US Gal
18	AAB-007-00764	GRBX PGA 1602 W/ CD450/ 2-SHAFT/ 13.2:1/ 1-3/4 Z20	1	18L / 4.76 US Gal

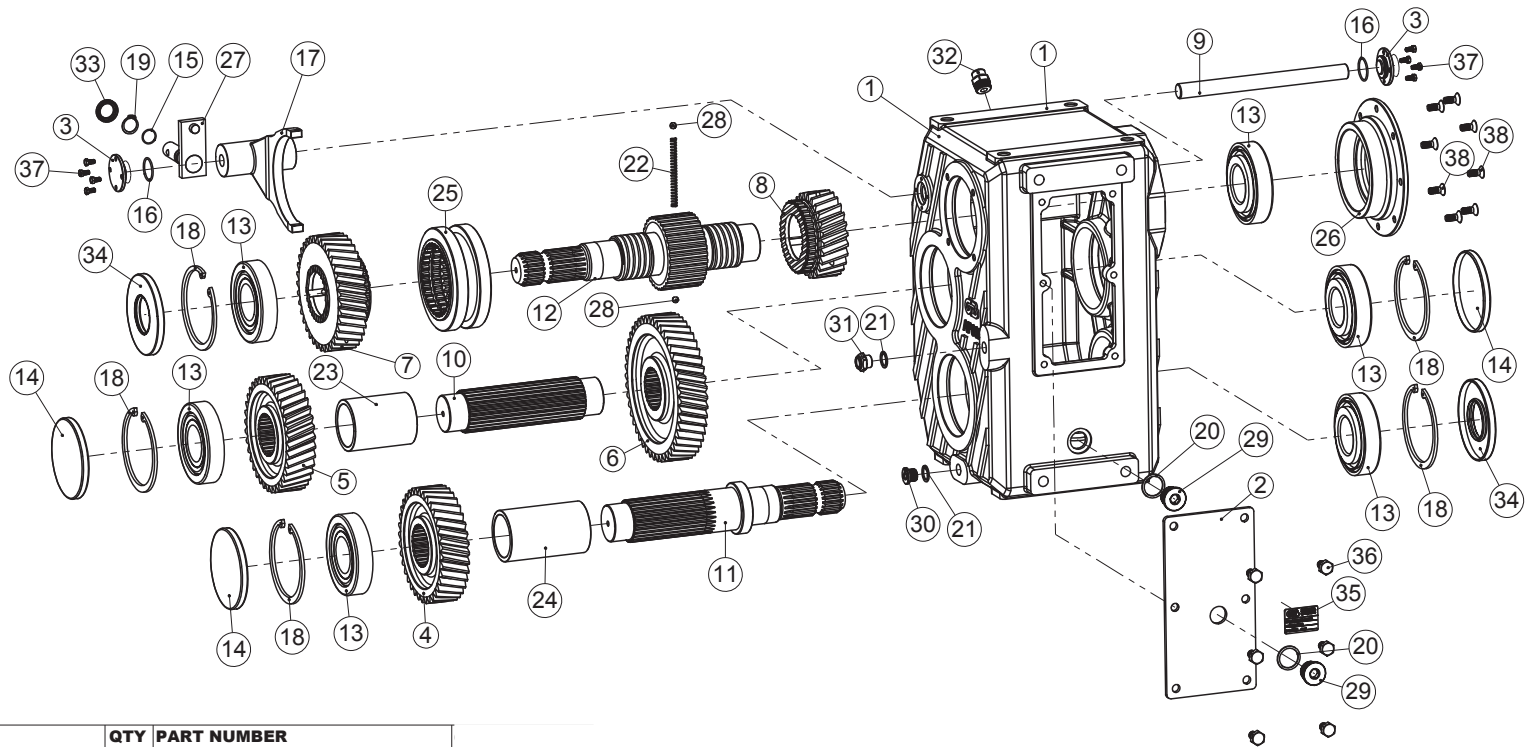


NOTE:
FOR GEARBOXES WITH EXTERNAL RESERVIORS
ADD 2 LITERS TO OIL CAPACITY

DR	LMV	TOLERANCES (UNLESS SPECIFIED OTHERWISE) FRACTIONAL ± 1/16" DEC X.X ± 0.1" DEC X.XX ± 0.06" DEC X.XXX ± 0.031" ANGULAR ± 0.5°	JAY-LOR Fabricating Inc
DAT	5/7/2009		
MAT			

UNITS	PAPER A	SHEET 1 OF 2	R#	DATE	DESCRIPTION	DR	CK
TITLE GEARBOX REFERENCE CHART					FILE NO	AAA-054-00025.idw	

CONFIDENTIAL: THESE DRAWINGS AND COPIES THEREOF REMAIN THE PROPERTY OF JAY-LOR FABRICATING INC. ANY PERSON FOUND UNLAWFULLY USING, DISTRIBUTING, OR IN POSSESSION OF THE ABOVE WILL BE PROSECUTED



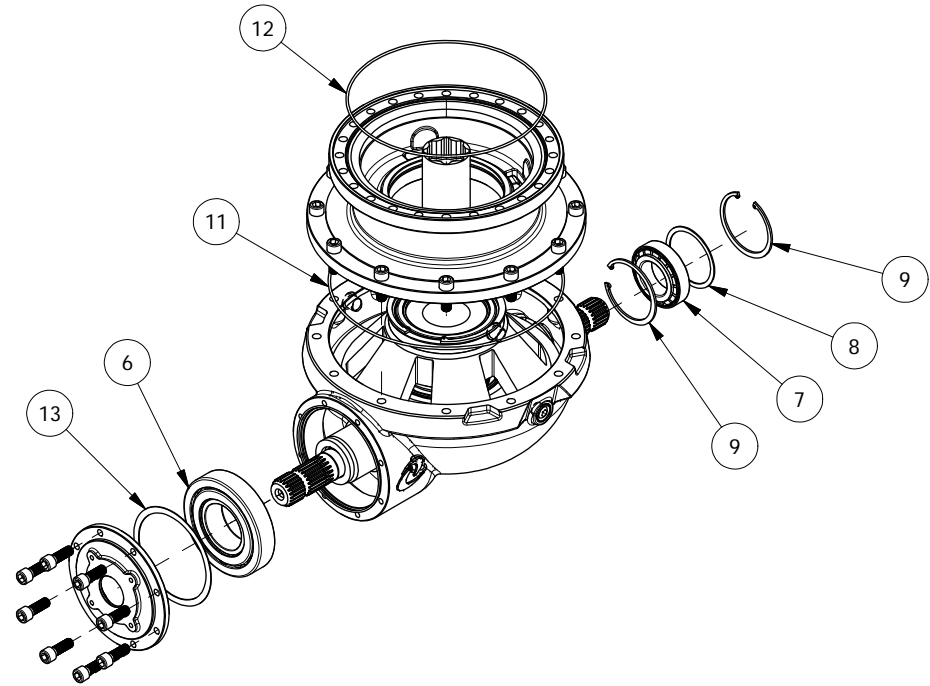
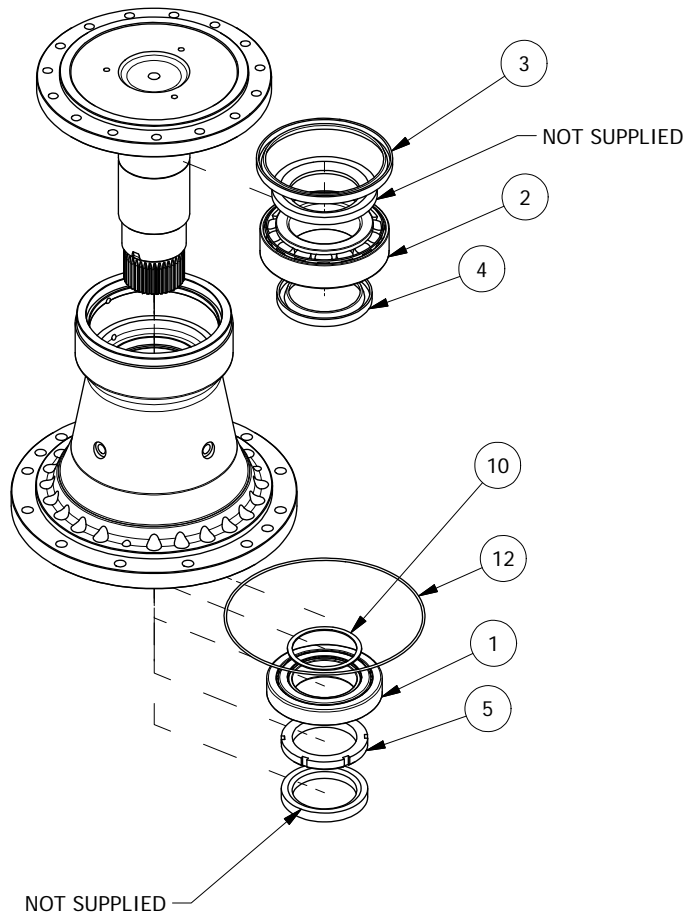
ITEM	DESCRIPTION	QTY	PART NUMBER
1	HOUSING	1	CALL FOR AVAILABILITY
2	COVER Fe37	1	CALL FOR AVAILABILITY
3	CLOSED FLANGE AP602	2	CALL FOR AVAILABILITY
4	GEAR Z36 M4 R1/1 EL DX	1	CALL FOR AVAILABILITY
5	GEAR Z36 M4 R1/1 EL SX	1	CALL FOR AVAILABILITY
6	CROWN Z46 M4 R1/1.84 EL DX	1	CALL FOR AVAILABILITY
7	GEAR RL Z36 M4 R1/1 EL DX	1	CALL FOR AVAILABILITY
8	PINION RL Z25 M4 R1/1.84 EL SX	1	CALL FOR AVAILABILITY
9	GEAR SHAFT	1	CALL FOR AVAILABILITY
10	INTERMEDIATE SHAFT	1	CALL FOR AVAILABILITY
11	OUTPUT SHAFT	1	CALL FOR AVAILABILITY
12	INPUT SHAFT	1	CALL FOR AVAILABILITY
13	BRNG TAPERED ROLLER 30310	6	AAB-007-00464
14	COVER RUBBER 110MM X 10MM RCA	3	AAB-007-00775
15	O-RING 17MM X 1.5MM	1	AAB-007-00620
16	O-RING 28.3MM X 1.78MM	2	CALL FOR AVAILABILITY
17	FORK	1	CALL FOR AVAILABILITY
18	CIRCLIP INTERNAL 110MM UNI7437	5	AAB-007-00776
19	CIRCLIP EXTERNAL 20MM UNI7435	1	CALL FOR AVAILABILITY
20	COPPER GASKET 3/4"	2	CALL FOR AVAILABILITY

ITEM	DESCRIPTION	QTY	PART NUMBER
21	ALUMINUM GASKET 3/8"	2	CALL FOR AVAILABILITY
22	GEAR SPRING AP602	1	CALL FOR AVAILABILITY
23	SPACER L=90.5MM	1	CALL FOR AVAILABILITY
24	SPACER L=115.5MM	1	CALL FOR AVAILABILITY
25	CLUTCH GEAR BUSHING	1	CALL FOR AVAILABILITY
26	CLOSED FLANGE	1	CALL FOR AVAILABILITY
27	WELDED LEVER	1	CALL FOR AVAILABILITY
28	BALL 8MM	2	CALL FOR AVAILABILITY
29	OIL PLUG 3/4" DIN908	2	CALL FOR AVAILABILITY
30	OIL PLUG 3/8" DIN908	1	CALL FOR AVAILABILITY
31	OIL PLUG VISUAL 3/8" ALUMINUM	1	CALL FOR AVAILABILITY
32	OIL BREATHER PLUG 1/2"	1	CALL FOR AVAILABILITY
33	OIL SEAL 20MM X 30MM X 5MM	1	AAB-007-00487
34	OIL SEAL 50MM X 110MM X 10MM	2	AAB-007-00777
35	PLATE AP602 1.00/1.80 JR1EL	1	CALL FOR AVAILABILITY
36	HEX HEAD SCREW M10 X 16	6	CALL FOR AVAILABILITY
37	HEX HEAD SCREW M5 X 10	8	CALL FOR AVAILABILITY
38	SCREW TSEI -PG- UNI5933 M8 X20	8	CALL FOR AVAILABILITY

AAA-007-00693
GRBX AP602 2-SPEED (1.8:1)(1:1)

Parts List

ITEM	PART NUMBER	TITLE	QTY
1	AAB-007-00237	TAPERED ROLLER BRNG (32221)	1
2	AAB-007-00238	TAPER ROLLER BRNG (30219)	1
3	AAB-007-00239	OIL SEAL A 180X200X15 DIN 3760 - NB	1
4	AAB-007-00242	OIL SEAL A 105X140X12 DIN 3760 - NB	1
5	AAB-007-00244	RING NUT	1
6	AAB-007-00250	TAPERED ROLLER BEARING (30315)	1
7	AAB-007-00251	TAPERED ROLLER BRNG (32211)	1
8	AAB-007-00645	SHIM KIT 85.3 x 99.7	1
9	AAB-007-00258	INTERNAL CIRCLIP 100MM	2
10	AAB-007-00404	SHIM KIT 95 X 109	1
11	AAB-007-00408	O-RING 3.53 X 329.79	1
12	AAB-007-00523	O-RING 3.53 X 291.69	2
13	AAB-007-00698	SHIM KIT 140.3MM X 159.6MM	1



NOTE:
KITS AVAILABLE FOR:

1. COMPLETE PLANETARY REDUCTION ASSEMBLY
2. INPUT AND OUTPUT SHAFT SEALS

ALL PARTS NOT IN KITS PLEASE REFER TO
MANUFACTURER'S PART LIST IN GEARBOX SECTION

UNITS	PAPER A	SHEET 1 OF 1	R#	DATE	DESCRIPTION	DR	CK
-------	---------	--------------	----	------	-------------	----	----

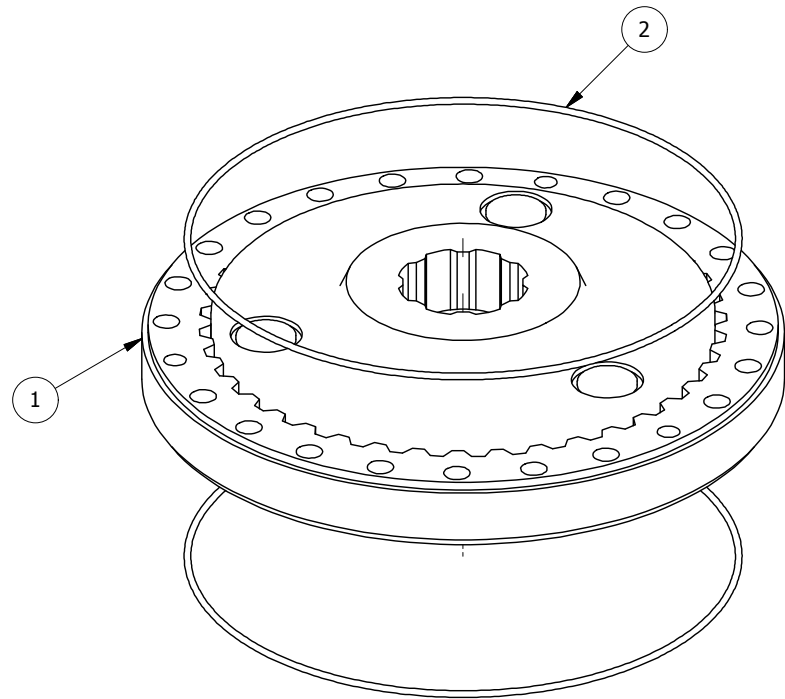
TITLE KIT SEAL / BEARING 1602 / 1603

FILE NO AAA-007-00131.idw

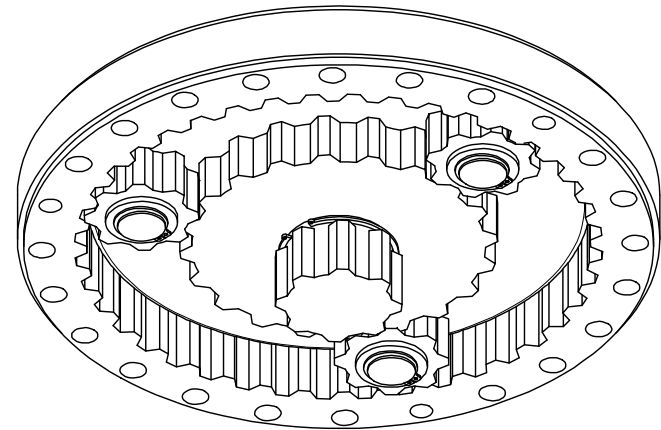
DR LMV	TOLERANCES (UNLESS SPECIFIED OTHERWISE) FRACTIONAL ± 1/16" DEC X.X ± 0.1" DEC X.XX ± 0.06" DEC X.XXX ± 0.031" ANGULAR ± 0.5°	JAY-LOR Fabricating Inc
DAT 4/9/2008		
MAT		
CONFIDENTIAL: THESE DRAWINGS AND COPIES THEREOF REMAIN THE PROPERTY OF JAY-LOR FABRICATING INC. ANY PERSON FOUND UNLAWFULLY USING, DISTRIBUTING, OR IN POSSESSION OF THE ABOVE WILL BE PROSECUTED		

Parts List

ITE	PART NUMBER	TITLE	QTY
1	AAB-007-00270	KIT PLANETARY SET PGA1603 VM (LOWER SET)	1
2	AAB-007-00523	O-RING 3.53 X 291.69	2



TOP VIEW



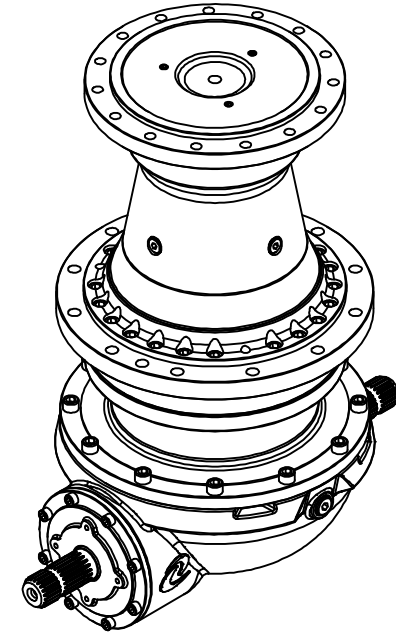
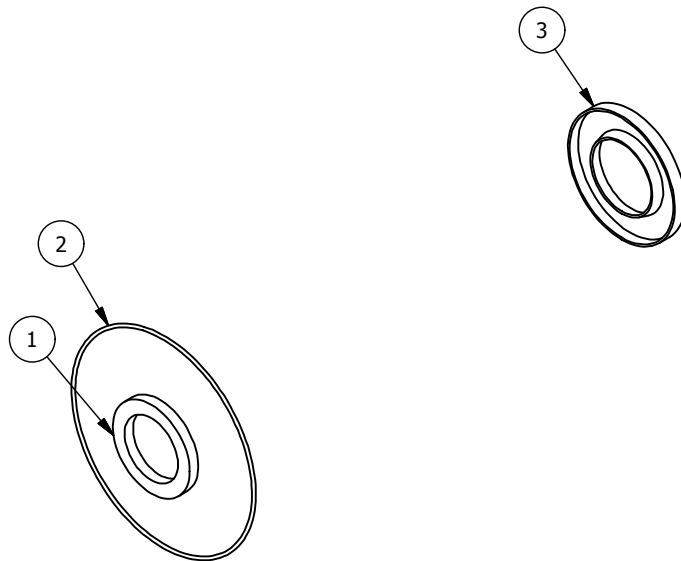
BOTTOM VIEW

UNITS	PAPER A	SHEET 1 OF 1	R#	DATE	DESCRIPTION	DR	CK
TITLE					FILE NO		
KIT PLANETARY SET PGA1603 VM (LOWER SET) AND CONNECTION FLANGE O-RINGS					AAA-007-00132.idw		

DR	TOLERANCES (UNLESS SPECIFIED OTHERWISE)	JAY•LOR Fabricating Inc
DAT 4/16/2008	FRACTIONAL ± 1/16"	
MAT	DEC X.X ± 0.1"	
	DEC X.XX ± 0.06"	
	DEC X.XXX ± 0.031"	
	ANGULAR ± 0.5°	
CONFIDENTIAL: THESE DRAWINGS AND COPIES THEREOF REMAIN THE PROPERTY OF JAY-LOR FABRICATING INC. ANY PERSON FOUND UNLAWFULLY USING, DISTRIBUTING, OR IN POSSESSION OF THE ABOVE WILL BE PROSECUTED		

Parts List

ITEM	PART NUMBER	TITLE	QTY
1	AAB-007-00255	OIL SEAL BASL 45X72X8 DIN 3760 - NB	1
2	AAB-007-00256	O-RING 2.62 X 158.42	1
3	AAB-007-00259	OIL SEAL BASL 55 X 100 X 10 DIN 3760	1



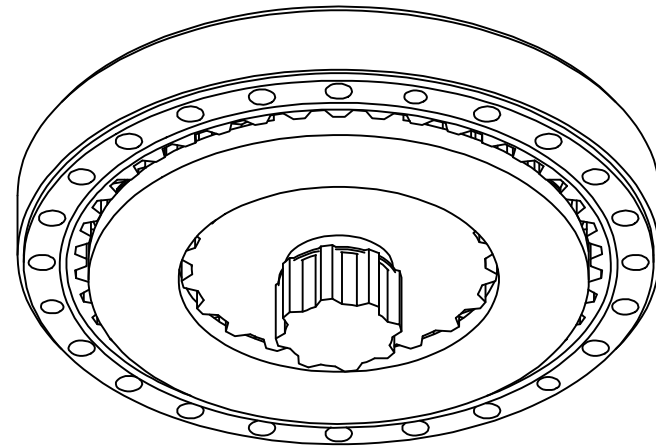
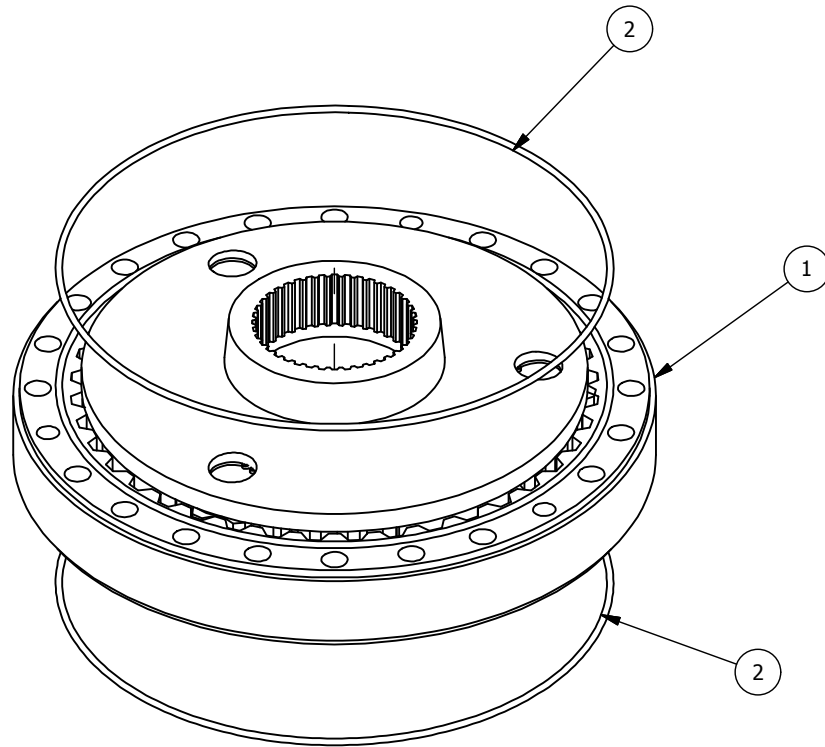
NOTE:
INPUT AND OUTPUT SHAFT SEALS COMMON BETWEEN 1602 AND 1603 (THRU SHAFT)

UNITS	PAPER A	SHEET 1 OF 1	R#	DATE	DESCRIPTION	DR	CK
TITLE					FILE NO		
KIT INPUT / OUTPUT SEALS 1602 / 1603					AAA-007-00133.idw		

DR	LMV	TOLERANCES (UNLESS SPECIFIED OTHERWISE) FRACTIONAL ± 1/16" DEC X.X ± 0.1" DEC X.XX ± 0.06" DEC X.XXX ± 0.031" ANGULAR ± 0.5°	JAY•LOR Fabricating Inc
DAT	12/13/2010		
MAT			
CONFIDENTIAL: THESE DRAWINGS AND COPIES THEREOF REMAIN THE PROPERTY OF JAY-LOR FABRICATING INC. ANY PERSON FOUND UNLAWFULLY USING, DISTRIBUTING, OR IN POSSESSION OF THE ABOVE WILL BE PROSECUTED			

Parts List

ITEM	PART NUMBER	TITLE	QTY
1	AAB-007-00234	KIT PLANETARY SET PGA1602 VM AND PGA1603 VM (UPPER SET)	1
2	AAB-007-00523	O-RING 3.53 X 291.69	2



DR LMV

DAT 12/13/2010

MAT

TOLERANCES (UNLESS SPECIFIED OTHERWISE)
 FRACTIONAL ± 1/16"
 DEC X.X ± 0.1"
 DEC X.XX ± 0.06"
 DEC X.XXX ± 0.031"
 ANGULAR ± 0.5°

JAY•LOR
 Fabricating Inc

UNITS PAPER A SHEET 1 OF 1 R# DATE DESCRIPTION DR CK

TITLE KIT PLANETARY SET UPPER WITH O-RINGS (1602, 1603)

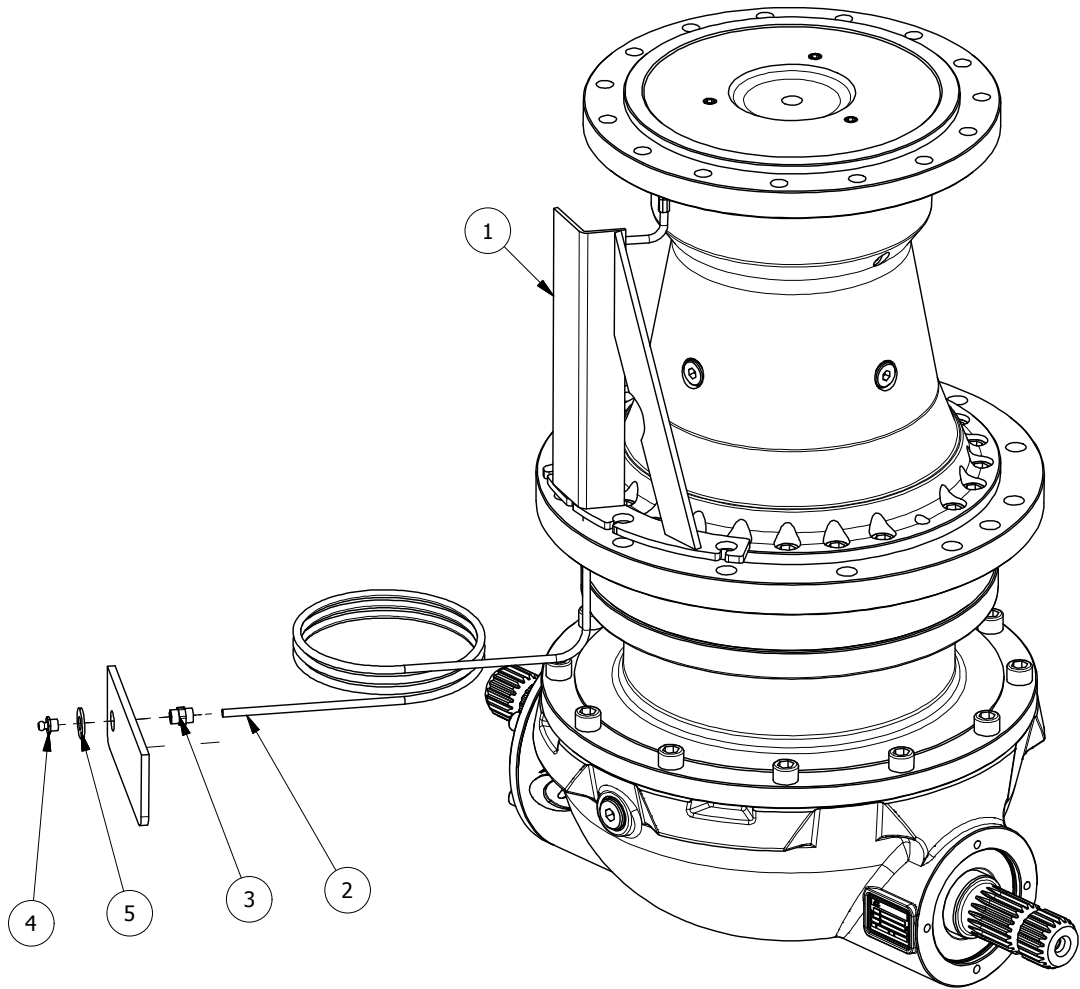
FILE NO AAA-007-00134.idw

CONFIDENTIAL: THESE DRAWINGS AND COPIES THEREOF REMAIN THE PROPERTY OF JAY-LOR FABRICATING INC. ANY PERSON FOUND UNLAWFULLY USING, DISTRIBUTING, OR IN POSSESSION OF THE ABOVE WILL BE PROSECUTED

M. 008 – LUBE SYSTEM PARTS**Drawing Number Reference Chart:**

Part	Model		
	4850HD	41000HD	41250HD
Grease Line Assembly	AAA-008-00003		
Planetary Gearbox Lube Assembly	AAA-008-00006		

Parts List			
ITEM	PART NUMBER	TITLE	QTY
1	AAA-008-00007	INTERNAL GREASE LINE PROTECTOR ASSY	1
2	AAA-008-00050	GREASE LINE 2 MNPT X 2 MNPT X 90L/ SAE100R7 THERMAL PLASTIC	1
3	AAB-008-00030	FIT ADPT 2 FNPT X 2 FNPT	1
4	AAB-008-00031	FIT GREASE NIPPLE X 2 MNPT	1
5	AAB-015-30012	WSHR FLAT 3/8 USS	1



DR	JET	TOLERANCES (UNLESS SPECIFIED OTHERWISE) FRACTIONAL ± 1/16" DEC X.X ± 0.1" DEC X.XX ± 0.06" DEC X.XXX ± 0.031" ANGULAR ± 0.5°	JAY•LOR Fabricating Inc
DAT	1/10/2012		
MAT			

UNITS	EACH	PAPER	A	SHEET	1 OF 1	R#	DATE	DESCRIPTION	DR	CK
-------	------	-------	---	-------	--------	----	------	-------------	----	----

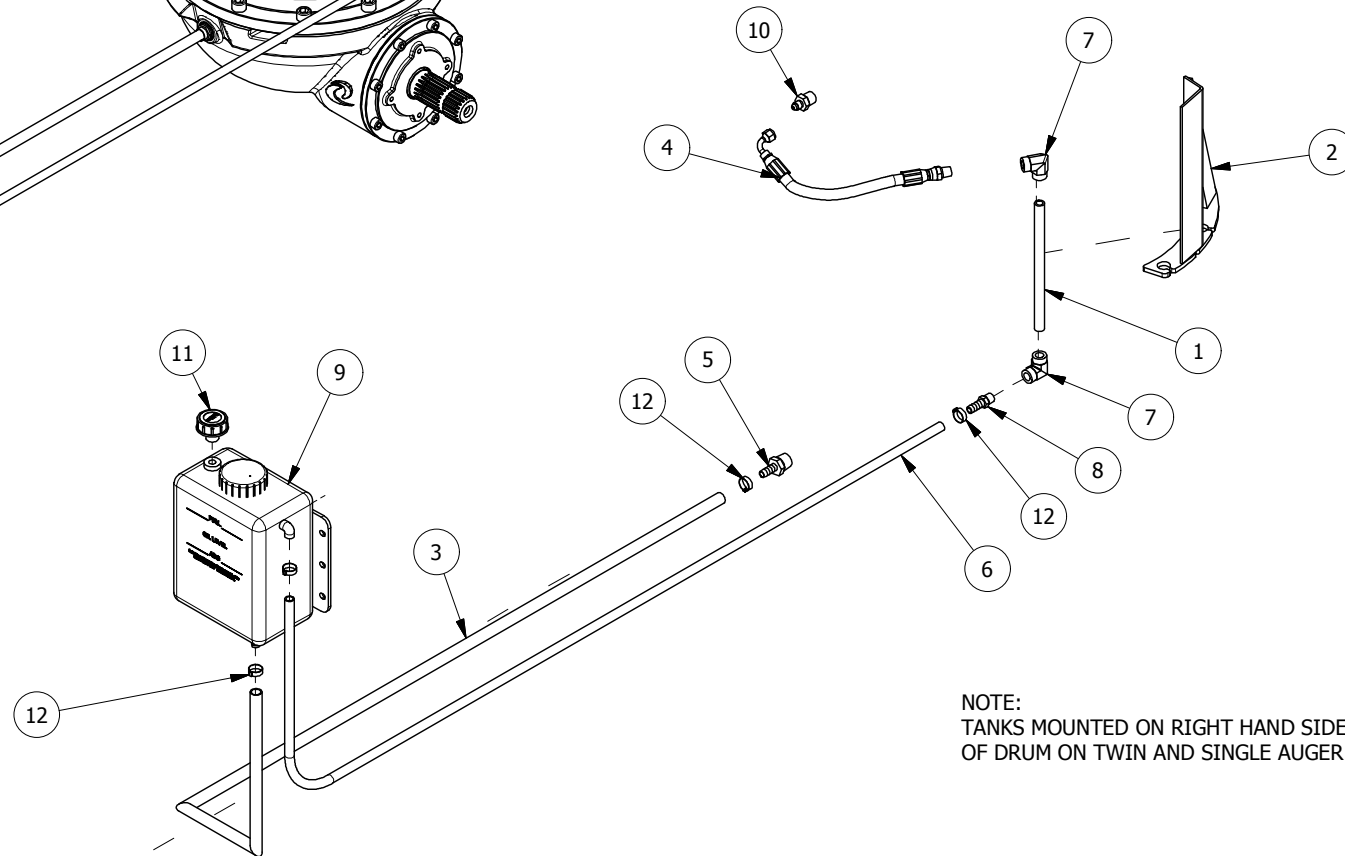
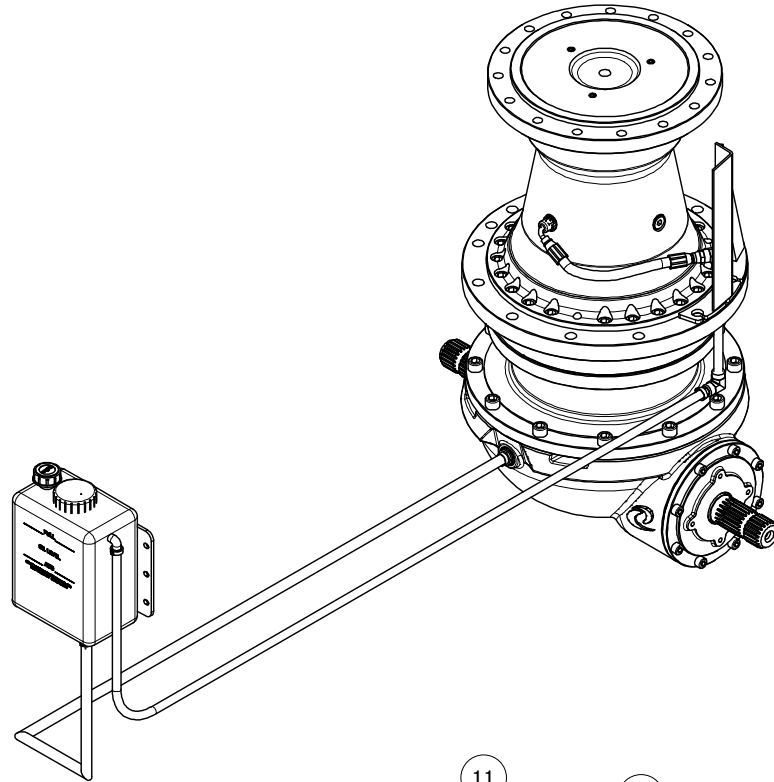
TITLE GREASE LINE ASSY

FILE NO AAA-008-00003.idw

CONFIDENTIAL: THESE DRAWINGS AND COPIES THEREOF REMAIN THE PROPERTY OF JAY-LOR FABRICATING INC. ANY PERSON FOUND UNLAWFULLY USING, DISTRIBUTING, OR IN POSSESSION OF THE ABOVE WILL BE PROSECUTED

Parts List

ITEM	PART NUMBER	TITLE	QTY
1	AAA-008-00000	PIPE BLACK 1/4DIA X 4MNPT X 4MNPT	1
2	AAA-008-00007	INTERNAL GREASE LINE PROTECTOR ASSY	1
3	AAA-008-00016	LOWER OIL RESERVIOR HOSE 3/8 X 7.5FT	1
4	AAA-009-00149	HOSE HYD 90DEG 4 FJIC X 4 MNPT X 11.75L	1
5	AAB-008-00002	FIT 8 MNPT X 3/8 BARB	1
6	AAB-008-00003	HOSE RUBR LOW PRESSURE 3/8 X 7.5FT	1
7	AAB-008-00004	FIT 90DEG 4 FNPT X 4 FNPT	2
8	AAB-008-00006	FIT 4 MNPT X 3/8 BARB	1
9	AAB-008-00022	OIL RSVR 3QT ASSY PLASTIC TNK	1
10	AAB-008-00027	FIT ADPT 4 MJIC X 6 MNPT	1
11	AAB-008-00034	CAP BREATHER ACRYLIC RSVR	1
12	AAB-015-40006	CLAMP ONE EAR 11/16	4



NOTE:
TANKS MOUNTED ON RIGHT HAND SIDE
OF DRUM ON TWIN AND SINGLE AUGER MODELS

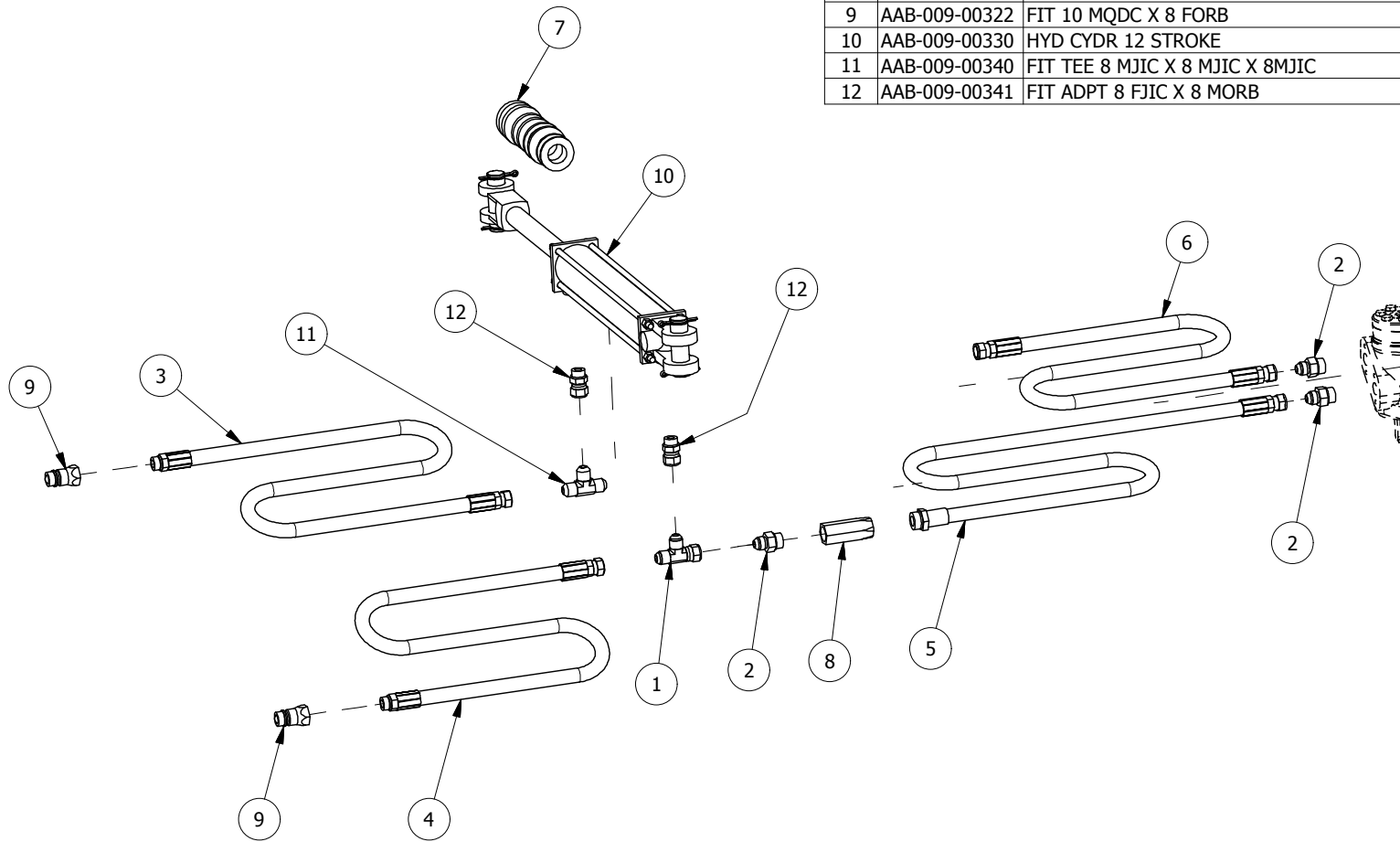
UNITS	EACH	PAPER	A	SHEET	1 OF 2	R#	1	DATE	01/16/2009	DESCRIPTION	REPLACED 2 QUART RESERVIOR WITH 3 QUART WITH BREATHER	LMV		DR	BCN	CK		TOLERANCES (UNLESS SPECIFIED OTHERWISE)	JAY•LOR Fabricating Inc			
																		FRACTIONAL		± 1/16"		
																		DEC X.X		± 0.1"		
																		DEC X.XX	± 0.06"			
																		DEC X.XXX	± 0.031"			
																		ANGULAR	± 0.5°			
TITLE										GRBX LUBRICATION SYSTEM CLOSED LOOP ASSY			FILE NO			AAA-008-00006.idw			CONFIDENTIAL: THESE DRAWINGS AND COPIES THEREOF REMAIN THE PROPERTY OF JAY-LOR FABRICATING INC. ANY PERSON FOUND UNLAWFULLY USING, DISTRIBUTING, OR IN POSSESSION OF THE ABOVE WILL BE PROSECUTED			

N. 009 – HYDRAULIC / PNEUMATIC PARTS**Drawing Number Reference Chart:**

Part	Model		
	4850HD	41000HD	41250HD
Hose Kit for 36" Wing		AAA-009-00052	
Hose Kit for 36" Conveyor Twin Frt Rth Door		AAA-009-00144	
Hose Kit for 6'41" Lth Conveyor		AAA-009-00051	
Hose Kit for 6'41" Rth Conveyor		AAA-009-00052	
Hose Kit for 6'72" Lth Conveyor		AAA-009-00088	
Hose Kit for 6'72" Rth Conveyor		AAA-009-00100	
Hose Kit for Dual Flat Drop Boot		AAA-009-00161	
Hose Kit for Dual Flat		AAA-009-00098	
Hose Kit for Dual Flat with Lth Side Block		AAA-009-00163	
Hose Kit for Frt Door		AAA-009-00050	
Hose Kit for Frt Rth Door Twins		AAA-009-00143	
Hose Kit for Frt Rth Drop FLR Twins		AAA-009-00159	
Hose Kit for Rear Door Twins		AAA-009-00122	
Hose Kit for Rear Left Door Twins		AAA-009-00146	

Parts List

ITEM	PART NUMBER	TITLE	QTY
1	AAB-009-00029	FIT TEE 8 MJIC X 8 FJIC X 8 MJIC	1
2	AAB-009-00080	FIT ADPT 8 MJIC X 10 MORB	3
3	AAB-009-00129	HOSE HYD 1/2DIA SINGLE BRAID 8 FJIC SWIVEL X 8 MORB 152L	1
4	AAB-009-00130	HOSE HYD 1/2DIA SINGLE BRAID 8 FJIC SWIVEL X 8 MORB 136L	1
5	AAB-009-00136	HOSE HYD 1/2DIA SINGLE BRAID 8 FJIC SWIVEL X 10 MORB 117L	1
6	AAB-009-00137	HOSE HYD 1/2DIA SINGLE BRAID 8 FJIC SWIVEL X 8 FJIC SWIVEL 107L	1
7	AAB-009-00314	LOCK COLLAR SET	1
8	AAB-009-00321	VALVE CHECK 10 FORB X 10 FORB	1
9	AAB-009-00322	FIT 10 MQDC X 8 FORB	2
10	AAB-009-00330	HYD CYDR 12 STROKE	1
11	AAB-009-00340	FIT TEE 8 MJIC X 8 MJIC X 8MJIC	1
12	AAB-009-00341	FIT ADPT 8 FJIC X 8 MORB	2

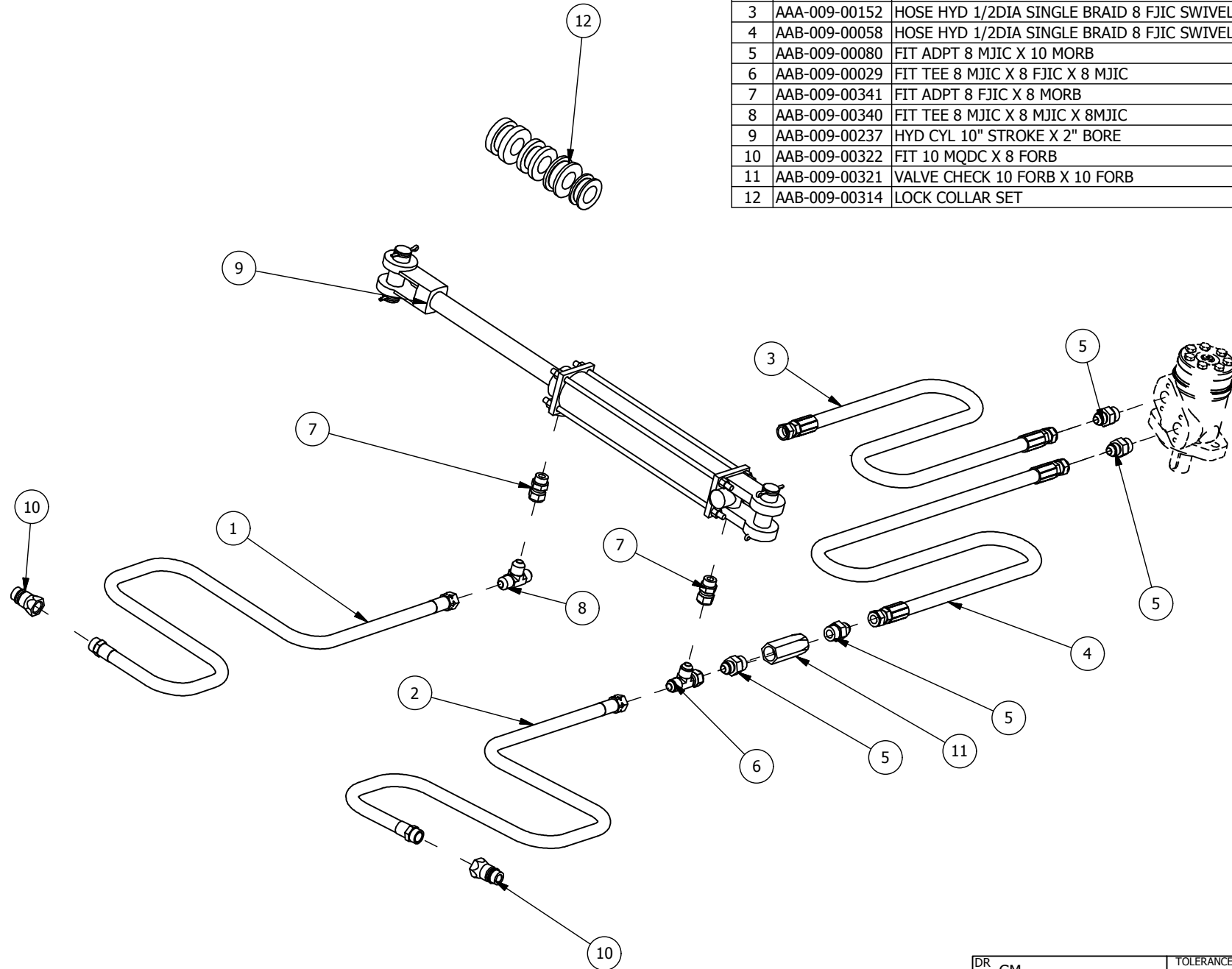


UNITS	PAPER A	SHEET 1 OF 1	R#	DATE	DESCRIPTION	DR	CK
TITLE					KIT HYD HOSE AND FIT FOR 6 FT 41 CNVR RTH / TOTAL MIX 3 FT WING CNVR	FILE NO	AAA-009-00052.idw

DR	GM	TOLERANCES (UNLESS SPECIFIED OTHERWISE) FRACTIONAL ± 1/16" DEC X.X ± 0.1" DEC X.XX ± 0.06" DEC X.XXX ± 0.031" ANGULAR ± 0.5°	
DAT	1/19/2012		
MAT			
<small>CONFIDENTIAL: THESE DRAWINGS AND COPIES THEREOF REMAIN THE PROPERTY OF JAY-LOR FABRICATING INC. ANY PERSON FOUND UNLAWFULLY USING, DISTRIBUTING, OR IN POSSESSION OF THE ABOVE WILL BE PROSECUTED</small>			

Parts List

ITEM	PART NUMBER	TITLE	QTY
1	AAA-009-00255	HOSE HYD 1/2DIA SINGLE BRAID 8 MORB X 8 FJIC 240L 3000PSI	1
2	AAA-009-00259	HOSE HYD 1/2DIA SINGLE BRAID 8 MORB X 8 FJIC 224L 3000PSI	1
3	AAA-009-00152	HOSE HYD 1/2DIA SINGLE BRAID 8 FJIC SWIVEL X 8 FJIC SWIVEL 60L	1
4	AAB-009-00058	HOSE HYD 1/2DIA SINGLE BRAID 8 FJIC SWIVEL X 8 FJIC SWIVEL 63L	1
5	AAB-009-00080	FIT ADPT 8 MJIC X 10 MORB	4
6	AAB-009-00029	FIT TEE 8 MJIC X 8 FJIC X 8 MJIC	1
7	AAB-009-00341	FIT ADPT 8 FJIC X 8 MORB	2
8	AAB-009-00340	FIT TEE 8 MJIC X 8 MJIC X 8MJIC	1
9	AAB-009-00237	HYD CYL 10" STROKE X 2" BORE	1
10	AAB-009-00322	FIT 10 MQDC X 8 FORB	2
11	AAB-009-00321	VALVE CHECK 10 FORB X 10 FORB	1
12	AAB-009-00314	LOCK COLLAR SET	1

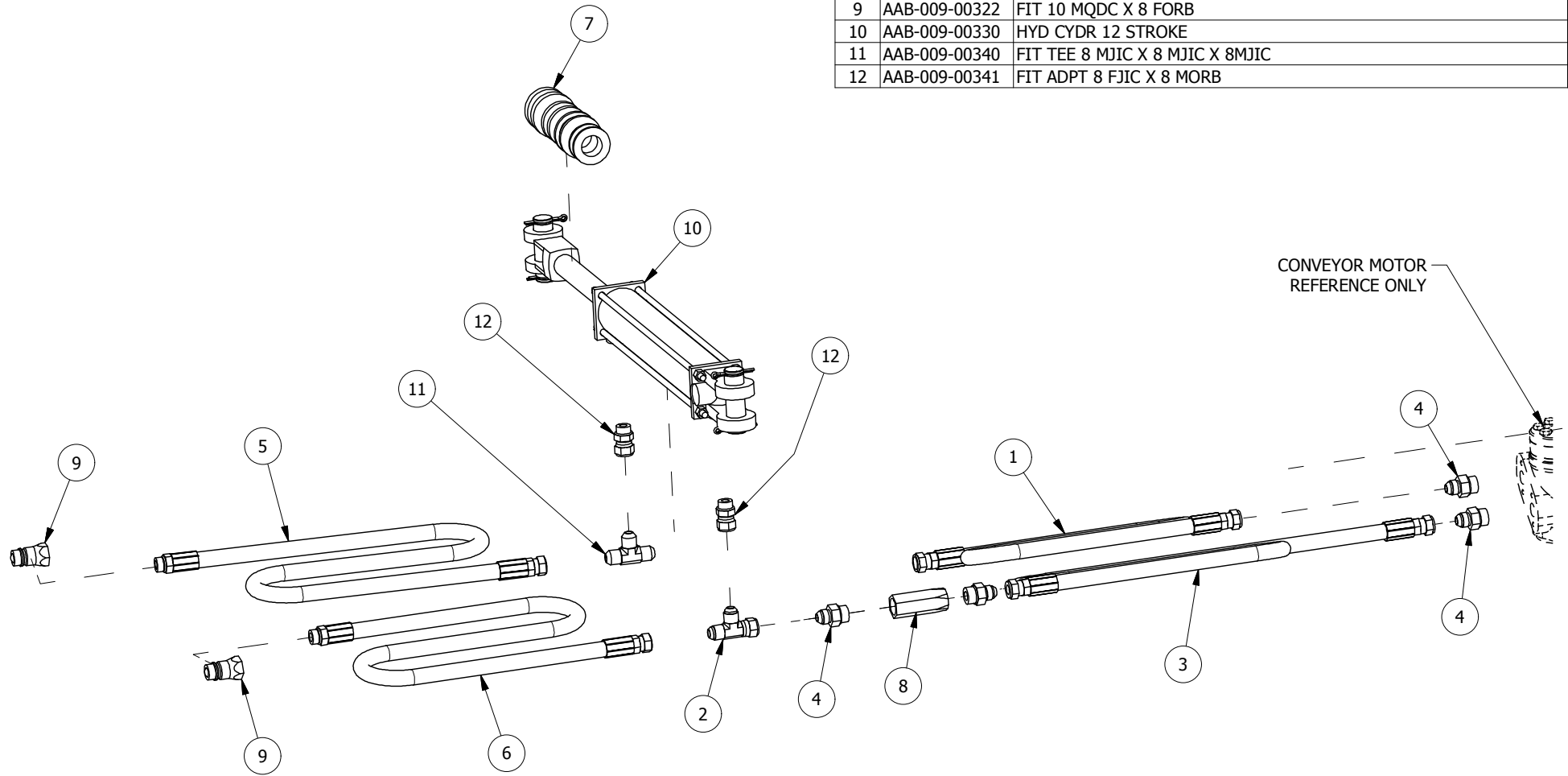


UNITS	PAPER A	SHEET 1 OF 1	R#	DATE	DESCRIPTION	DR	CK
TITLE KIT HYD HOSE AND FIT FRT RTH 3FT CNVR (TWIN MODEL)					FILE NO	AAA-009-00144.idw	

DR GM	TOLERANCES (UNLESS SPECIFIED OTHERWISE) FRACTIONAL ± 1/16" DEC X.X ± 0.1" DEC X.XX ± 0.06" DEC X.XXX ± 0.031" ANGULAR ± 0.5°	JAY-LOR Fabricating Inc
DATE 1/19/2012		
MAT		
CONFIDENTIAL: THESE DRAWINGS AND COPIES THEREOF REMAIN THE PROPERTY OF JAY-LOR FABRICATING INC. ANY PERSON FOUND UNLAWFULLY USING, DISTRIBUTING, OR IN POSSESSION OF THE ABOVE WILL BE PROSECUTED		

Parts List

ITEM	PART NUMBER	TITLE	QTY
1	AAA-009-00152	HOSE HYD 1/2DIA SINGLE BRAID 8 FJIC SWIVEL X 8 FJIC SWIVEL 60L	1
2	AAB-009-00029	FIT TEE 8 MJIC X 8 FJIC X 8 MJIC	1
3	AAB-009-00058	HOSE HYD 1/2DIA SINGLE BRAID 8 FJIC SWIVEL X 8 FJIC SWIVEL 63L	1
4	AAB-009-00080	FIT ADPT 8 MJIC X 10 MORB	4
5	AAB-009-00129	HOSE HYD 1/2DIA SINGLE BRAID 8 FJIC SWIVEL X 8 MORB 152L	1
6	AAB-009-00130	HOSE HYD 1/2DIA SINGLE BRAID 8 FJIC SWIVEL X 8 MORB 136L	1
7	AAB-009-00314	LOCK COLLAR SET	1
8	AAB-009-00321	VALVE CHECK 10 FORB X 10 FORB	1
9	AAB-009-00322	FIT 10 MQDC X 8 FORB	2
10	AAB-009-00330	HYD CYDR 12 STROKE	1
11	AAB-009-00340	FIT TEE 8 MJIC X 8 MJIC X 8MJIC	1
12	AAB-009-00341	FIT ADPT 8 FJIC X 8 MORB	2

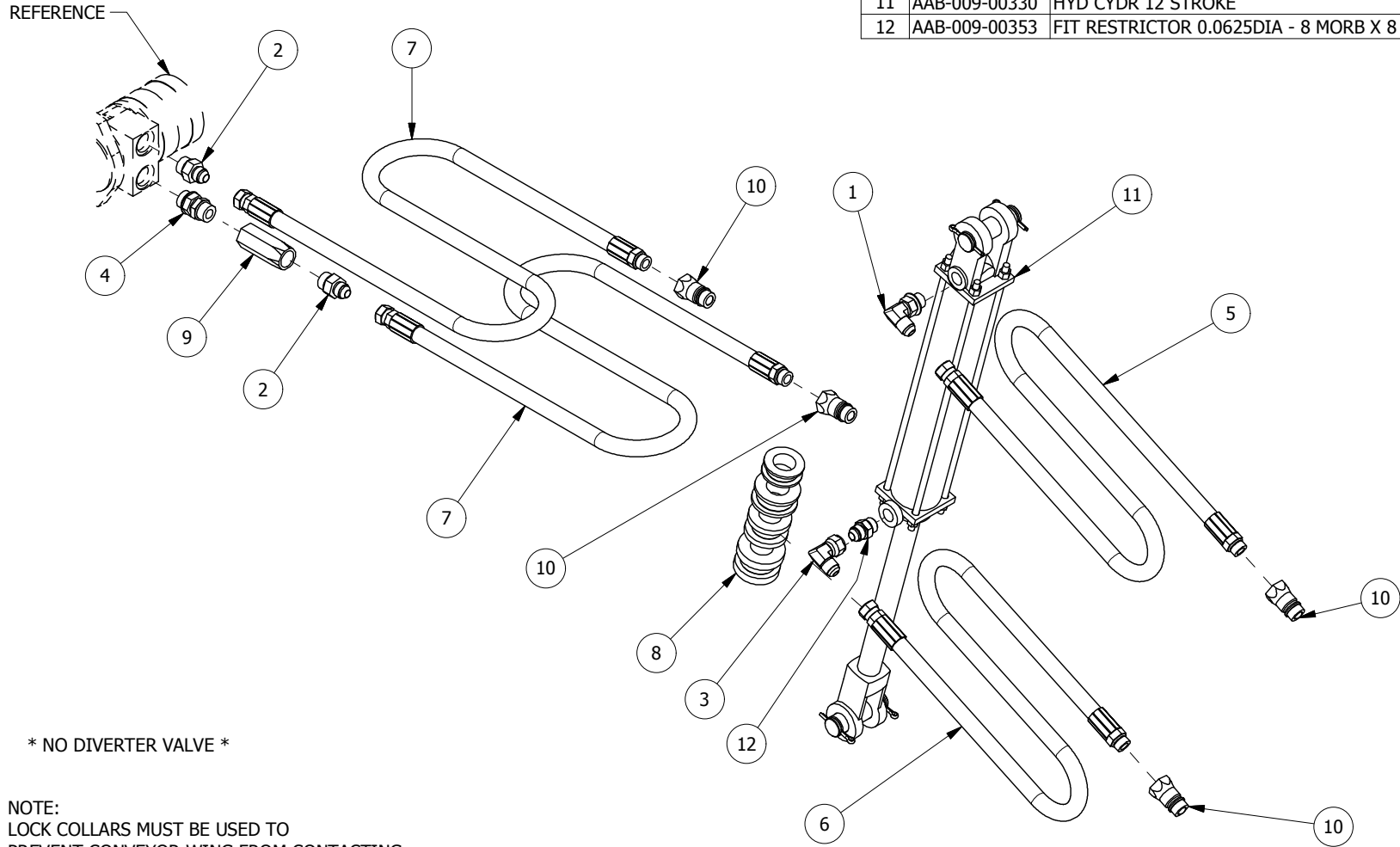


UNITS	PAPER A	SHEET 1 OF 1	R#	DATE	DESCRIPTION	DR	CK
TITLE KIT HYD HOSE AND FIT FOR 6 FT 41 CNVR LTH					FILE NO	AAA-009-00051.idw	

DR LMV	TOLERANCES (UNLESS SPECIFIED OTHERWISE) FRACTIONAL ± 1/16" DEC X.X ± 0.1" DEC X.XX ± 0.06" DEC X.XXX ± 0.031" ANGULAR ± 0.5°	JAY-LOR Fabricating Inc
DAT 1/19/2012		
MAT		
CONFIDENTIAL: THESE DRAWINGS AND COPIES THEREOF REMAIN THE PROPERTY OF JAY-LOR FABRICATING INC. ANY PERSON FOUND UNLAWFULLY USING, DISTRIBUTING, OR IN POSSESSION OF THE ABOVE WILL BE PROSECUTED		

NOTE: IF HYD MOTOR 090-00-51 REV A USED,
 THEN FITTINGS AAB-009-00097 & AAB-009-00098
 REPLACE AAB-009-00080 & AAB-00089

Parts List			
ITEM	PART NUMBER	TITLE	QTY
1	AAB-009-00076	FIT 90DEG 8 MJIC X ADJUST 8 MORB	1
2	AAB-009-00080	FIT ADPT 8 MJIC X 10 MORB	2
3	AAB-009-00088	FIT 90DEG 8 MJIC X 8 FJIC SWIVEL	1
4	AAB-009-00089	FIT ADPT 10 ADJUST MORB X 10 MORB	1
5	AAB-009-00129	HOSE HYD 1/2DIA SINGLE BRAID 8 FJIC SWIVEL X 8 MORB 152L	1
6	AAB-009-00130	HOSE HYD 1/2DIA SINGLE BRAID 8 FJIC SWIVEL X 8 MORB 136L	1
7	AAA-009-00266	HOSE HYD 1/2DIA SINGLE BRAID 8 FJIC SWIVEL X 8 MORB 250L	2
8	AAB-009-00314	LOCK COLLAR SET	1
9	AAB-009-00321	VALVE CHECK 10 FORB X 10 FORB	1
10	AAB-009-00322	FIT 10 MQDC X 8 FORB	4
11	AAB-009-00330	HYD CYDR 12 STROKE	1
12	AAB-009-00353	FIT RESTRICTOR 0.0625DIA - 8 MORB X 8 MJIC	1



* NO DIVERTER VALVE *

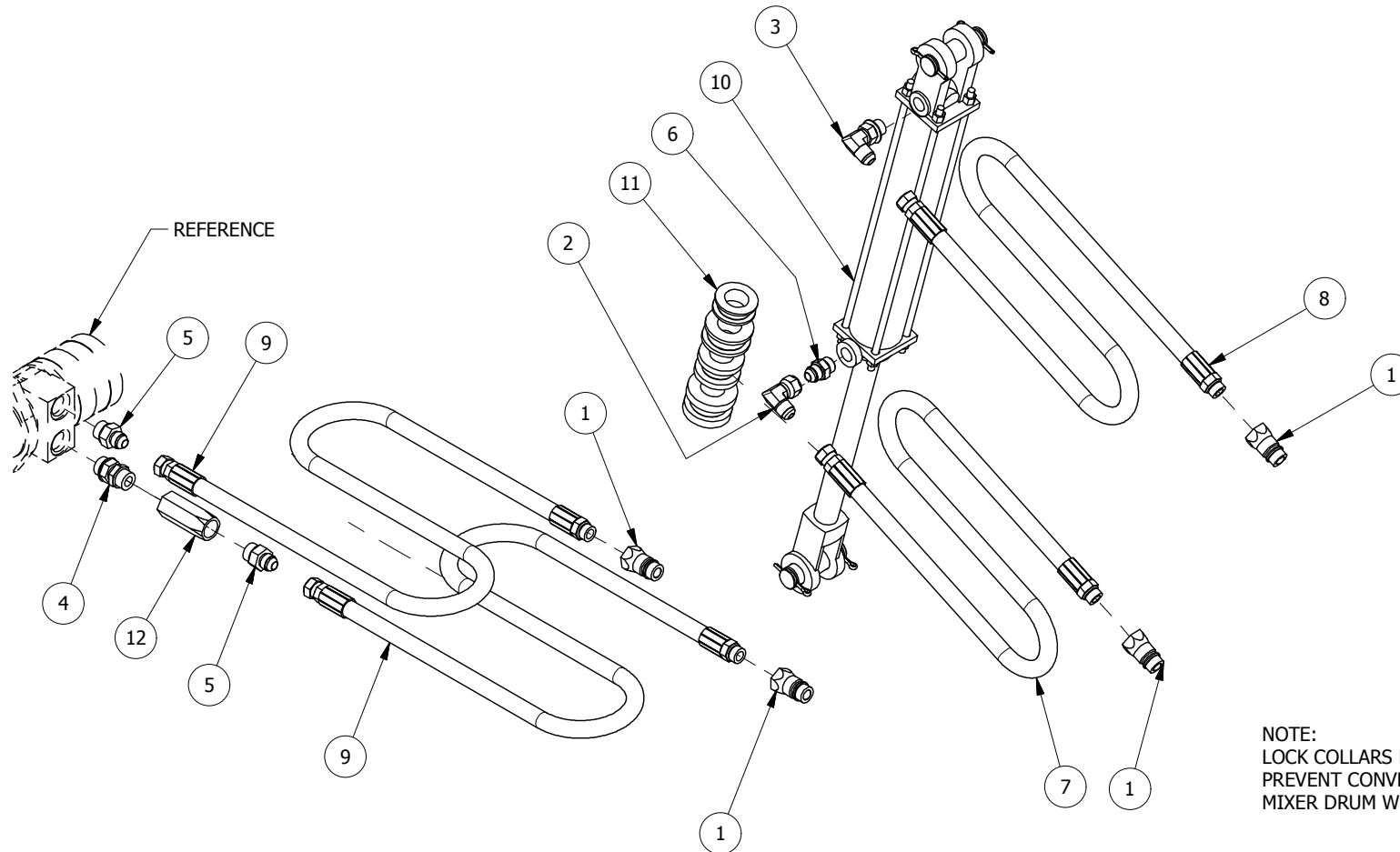
NOTE:
 LOCK COLLARS MUST BE USED TO
 PREVENT CONVEYOR WING FROM CONTACTING
 MIXER DRUM WHEN FULLY RETRACTED

UNITS EACH	PAPER A	SHEET 1 OF 1	R#	DATE	DESCRIPTION	DR	CK
TITLE					KIT HOSE AND FIT FOR 6FT CNVR WITH 6FT WING LTH DISCHARGE	FILE NO	AAA-009-00088.idw

DR BCN	TOLERANCES (UNLESS SPECIFIED OTHERWISE) FRACTIONAL ± 1/16" DEC X.X ± 0.1" DEC X.XX ± 0.06" DEC X.XXX ± 0.031" ANGULAR ± 0.5°	JAY•LOR Fabricating Inc
DAT 1/19/2012		
MAT		
CONFIDENTIAL: THESE DRAWINGS AND COPIES THEREOF REMAIN THE PROPERTY OF JAY-LOR FABRICATING INC. ANY PERSON FOUND UNLAWFULLY USING, DISTRIBUTING, OR IN POSSESSION OF THE ABOVE WILL BE PROSECUTED		

Parts List

ITEM	PART NUMBER	TITLE	QTY
1	AAB-009-00322	FIT 10 MQDC X 8 FORB	4
2	AAB-009-00088	FIT 90DEG 8 MJIC X 8 FJIC SWIVEL	1
3	AAB-009-00076	FIT 90DEG 8 MJIC X ADJUST 8 MORB	1
4	AAB-009-00089	FIT ADPT 10 ADJUST MORB X 10 MORB	1
5	AAB-009-00080	FIT ADPT 8 MJIC X 10 MORB	2
6	AAB-009-00353	FIT RESTRICTOR 0.0625DIA - 8 MORB X 8 MJIC	1
7	AAB-009-00130	HOSE HYD 1/2DIA SINGLE BRAID 8 FJIC SWIVEL X 8 MORB 136L	1
8	AAB-009-00129	HOSE HYD 1/2DIA SINGLE BRAID 8 FJIC SWIVEL X 8 MORB 152L	1
9	AAA-009-00267	HOSE HYD 1/2DIA SINGLE BRAID 8 FJIC SWIVEL X 8 MORB 305L	2
10	AAB-009-00330	HYD CYDR 12 STROKE	1
11	AAB-009-00314	LOCK COLLAR SET	1
12	AAB-009-00321	VALVE CHECK 10 FORB X 10 FORB	1

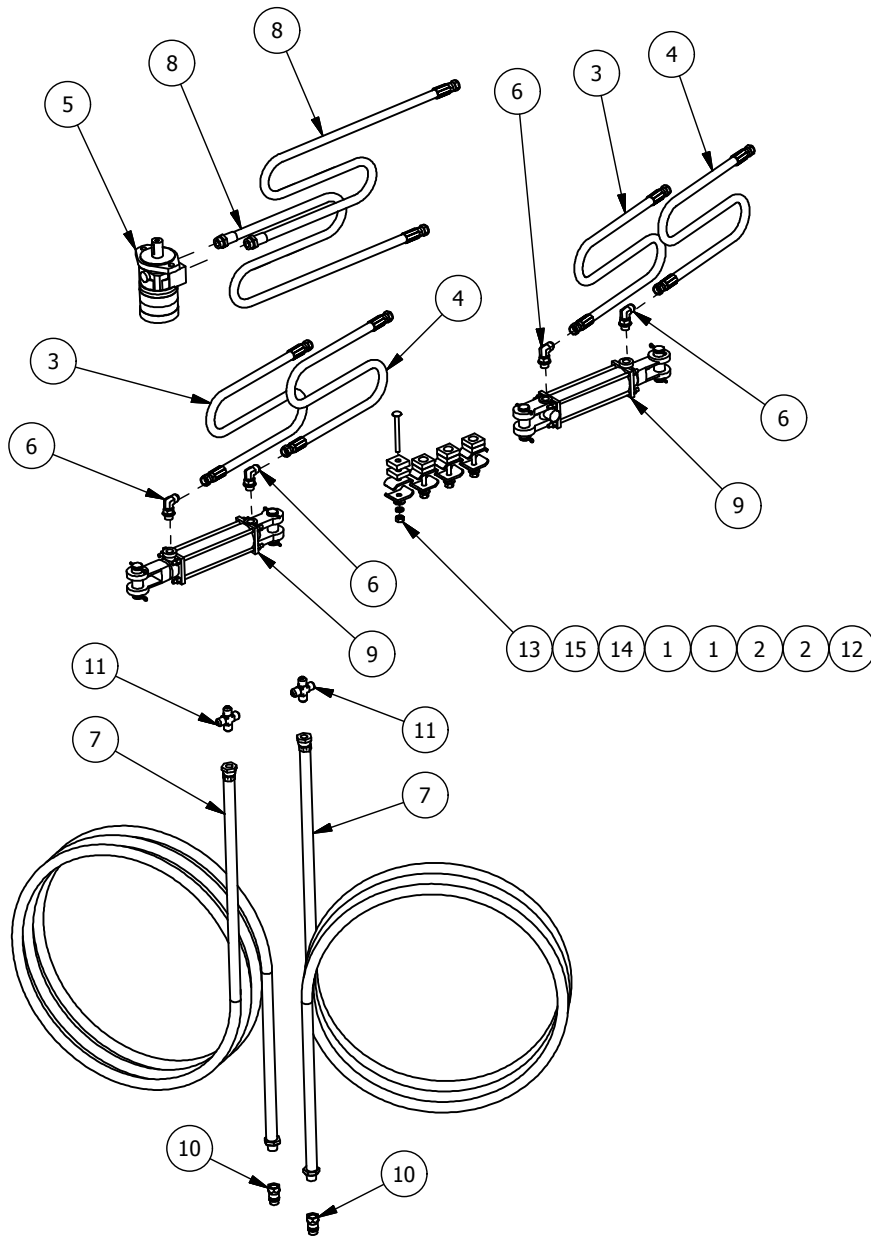


NOTE:
 LOCK COLLARS MUST BE USED TO
 PREVENT CONVEYOR WING FROM CONTACTING
 MIXER DRUM WHEN FULLY RETRACTED

DR	BCN	TOLERANCES (UNLESS SPECIFIED OTHERWISE) FRACTIONAL ± 1/16" DEC X.X ± 0.1" DEC X.XX ± 0.06" DEC X.XXX ± 0.031" ANGULAR ± 0.5°	JAY•LOR Fabricating Inc
DAT	1/19/2012		
MAT			

UNITS	PAPER A	SHEET 1 OF 1	R#	DATE	DESCRIPTION	DR	CK
TITLE KIT HOSE AND FIT FOR 6FT CNVR WITH 6FT WING RTH DISCHARGE						FILE NO	AAA-009-00100.idw

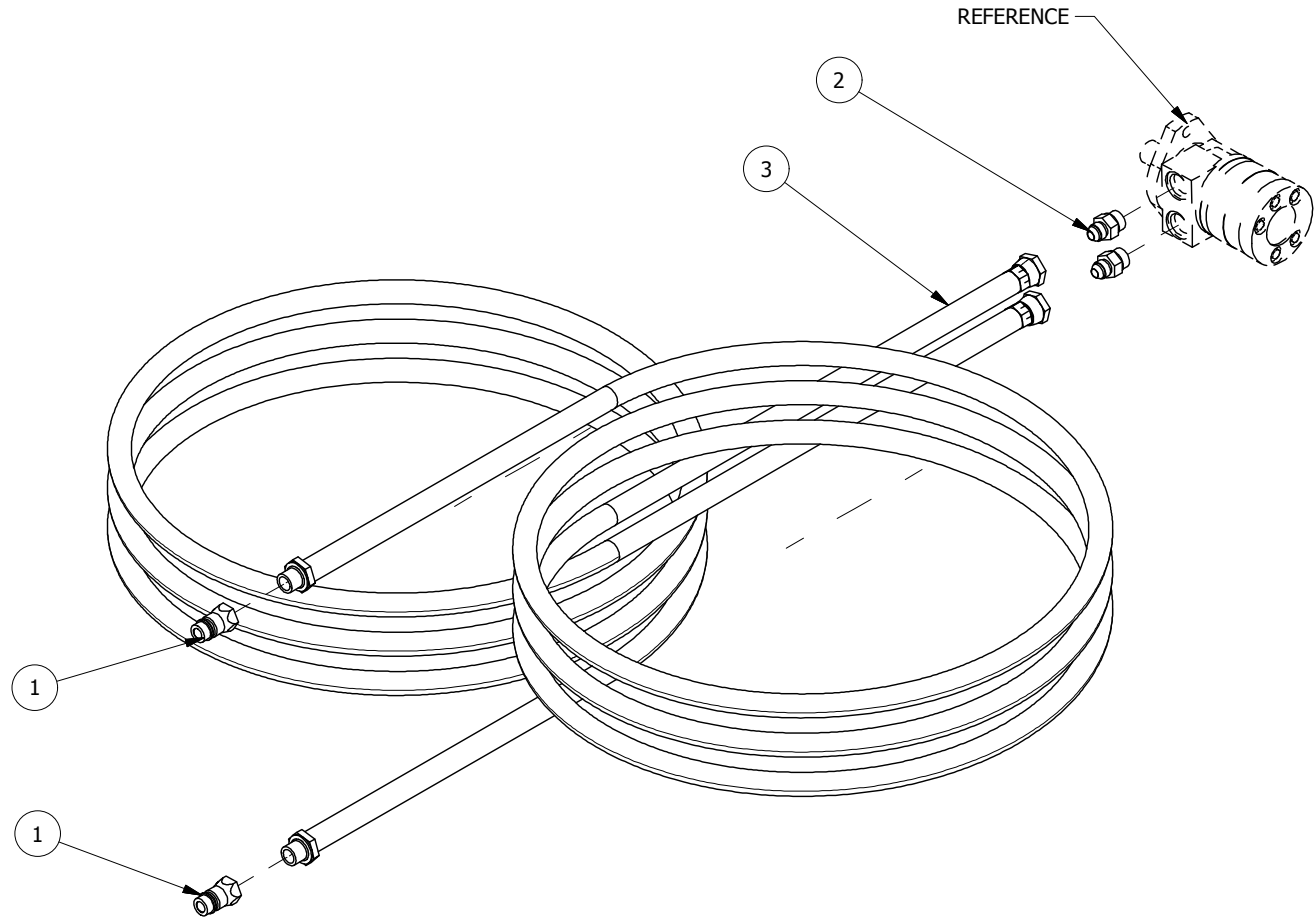
CONFIDENTIAL: THESE DRAWINGS AND COPIES THEREOF REMAIN THE PROPERTY OF JAY-LOR FABRICATING INC. ANY PERSON FOUND UNLAWFULLY USING, DISTRIBUTING, OR IN POSSESSION OF THE ABOVE WILL BE PROSECUTED



Parts List			
ITEM	PART NUMBER	TITLE	QTY
1	AAA-002-00343	HYD HOSE CLIP	8
2	AAA-006-00223	PLASTIC SPCR 1/2T	8
3	AAA-009-00152	HOSE HYD 1/2DIA SINGLE BRAID 8 FJIC SWIVEL X 8 FJIC SWIVEL 60L	2
4	AAA-009-00162	HOSE HYD 1/2DIA SINGLE BRAID 8 FJIC SWIVEL X 8 FJIC SWIVEL 78L	2
5	AAB-009-00001	HYD CNVR MOTOR 1 KEYED	1
6	AAB-009-00076	FIT 90DEG 8 MJIC X ADJUST 8 MORB	4
7	AAB-009-00133	HOSE HYD 1/2DIA SINGLE BRAID 8 MORB X 8 FJIC X 180L	2
8	AAB-009-00136	HOSE HYD 1/2DIA SINGLE BRAID 8 FJIC SWIVEL X 10 MORB 117L	2
9	AAB-009-00230	HYD CYDR 6IN STROKE X 2IN BORE	2
10	AAB-009-00322	FIT 10 MQDC X 8 FORB	2
11	AAB-009-00326	FIT CROSS 8 MJIC X 8 MJIC X 8 MJIC X 8 MJIC	2
12	AAB-015-10062	BOLT CARRIAGE 3/8 X 4 UNC GRD 2	4
13	AAB-015-20017	NUT HEX 3/8 UNC GRD 2	4
14	AAB-015-30012	WSHR FLAT 3/8 USS	4
15	AAB-015-30017	WSHR LOCK 3/8	4

UNITS	PAPER A	SHEET 1 OF 1	R#	DATE	DESCRIPTION	DR	CK	DR LMV	TOLERANCES (UNLESS SPECIFIED OTHERWISE)	JAY-LOR <i>Fabricating Inc</i>
TITLE	KIT FIT AND HOSE DUAL CNVR DROP BOOT					FILE NO	AAA-009-00161.idw	1/19/2012	FRACTIONAL ± 1/16" DEC X.X ± 0.1" DEC X.XX ± 0.06" DEC X.XXX ± 0.031" ANGULAR ± 0.5°	
								MAT	CONFIDENTIAL: THESE DRAWINGS AND COPIES THEREOF REMAIN THE PROPERTY OF JAY-LOR FABRICATING INC. ANY PERSON FOUND UNLAWFULLY USING, DISTRIBUTING, OR IN POSSESSION OF THE ABOVE WILL BE PROSECUTED	

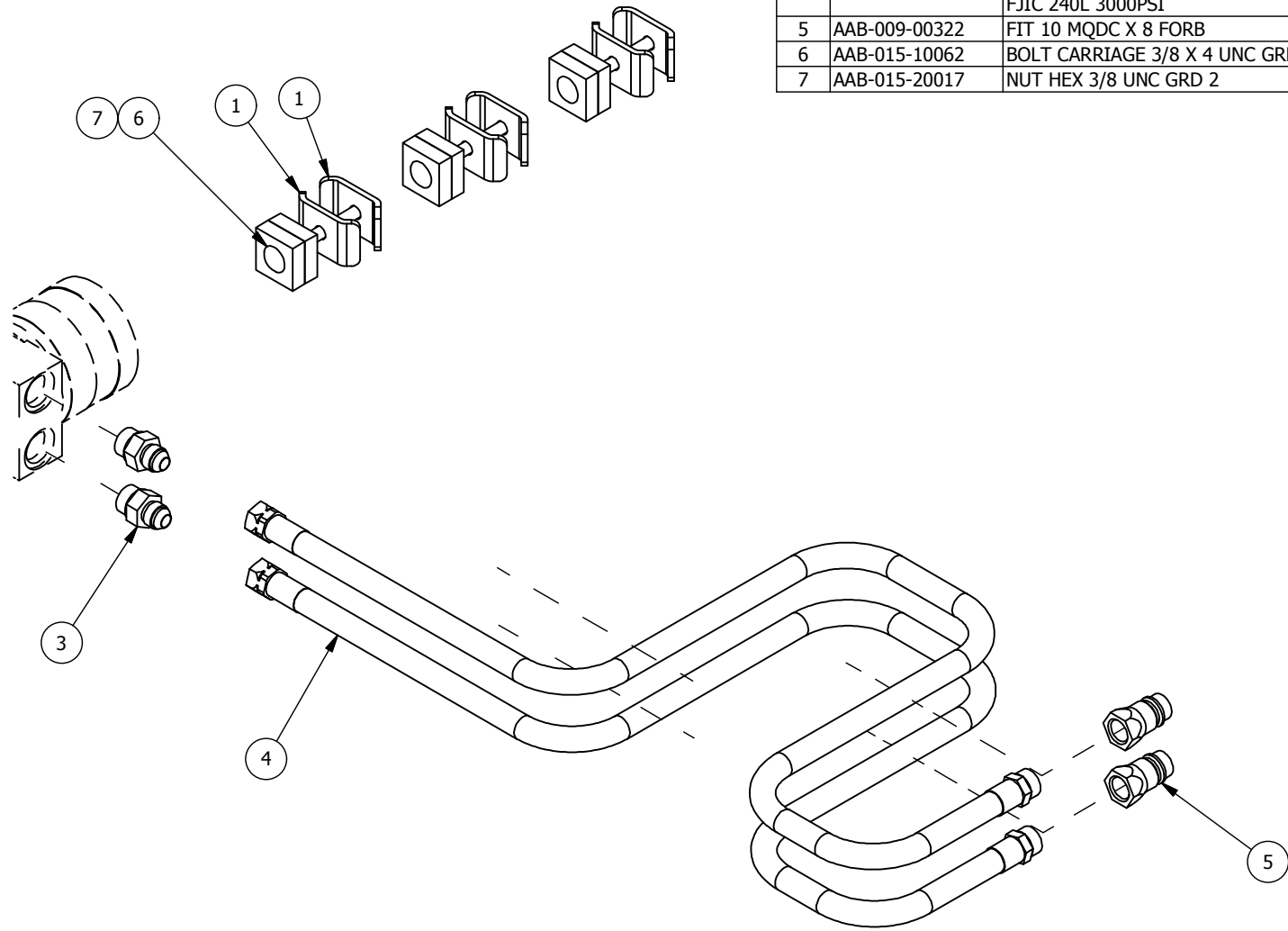
Parts List			
ITEM	PART NUMBER	TITLE	QTY
1	AAB-009-00322	FIT 10 MQDC X 8 FORB	2
2	AAB-009-00080	FIT ADPT 8 MJIC X 10 MORB	2
3	AAB-009-00133	HOSE HYD 1/2DIA SINGLE BRAID 8 MORB X 8 FJIC X 180L	2



UNITS	PAPER A	SHEET 1 OF 1	R#	DATE	DESCRIPTION	DR	CK
TITLE					FILE NO		
KIT HYD HOSE AND FIT DUAL FLAT CNVR					AAA-009-00098.idw		

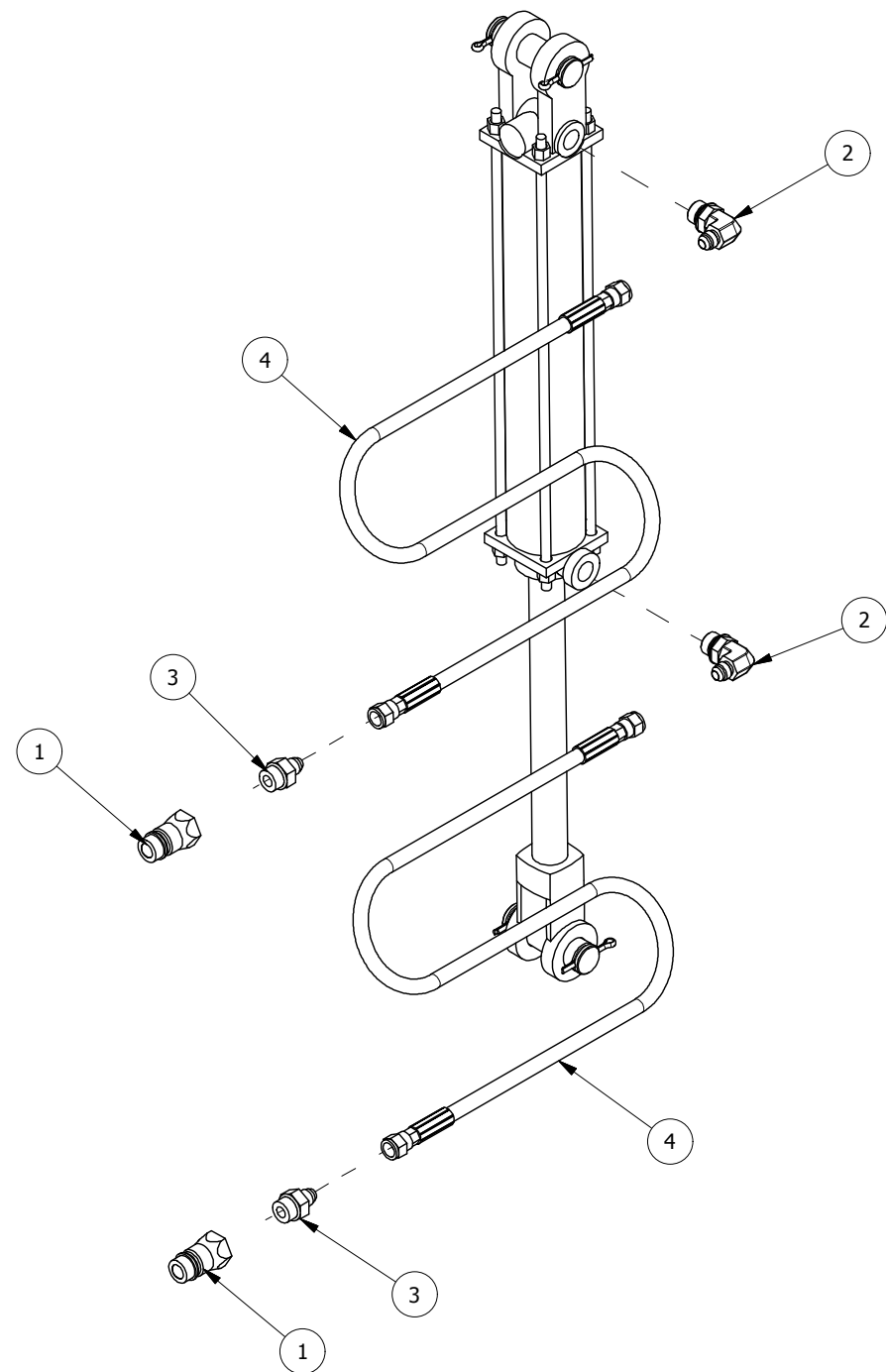
DR	LMV	TOLERANCES (UNLESS SPECIFIED OTHERWISE) FRACTIONAL ± 1/16" DEC X.X ± 0.1" DEC X.XX ± 0.06" DEC X.XXX ± 0.031" ANGULAR ± 0.5°	
DAT	1/19/2012		
MAT			
<small>CONFIDENTIAL: THESE DRAWINGS AND COPIES THEREOF REMAIN THE PROPERTY OF JAY-LOR FABRICATING INC. ANY PERSON FOUND UNLAWFULLY USING, DISTRIBUTING, OR IN POSSESSION OF THE ABOVE WILL BE PROSECUTED</small>			

Parts List			
ITEM	PART NUMBER	TITLE	QTY
1	AAA-002-00343	HYD HOSE CLIP	6
2	AAA-006-00223	PLASTIC SPCR 1/2T	6
3	AAB-009-00080	FIT ADPT 8 MJIC X 10 MORB	2
4	AAA-009-00255	HOSE HYD 1/2DIA SINGLE BRAID 8 MORB X 8 FJIC 240L 3000PSI	2
5	AAB-009-00322	FIT 10 MQDC X 8 FORB	2
6	AAB-015-10062	BOLT CARRIAGE 3/8 X 4 UNC GRD 2	3
7	AAB-015-20017	NUT HEX 3/8 UNC GRD 2	3



UNITS	PAPER A	SHEET 1 OF 1	R#	DATE	DESCRIPTION	DR	CK
TITLE					KIT HYD HOSE AND FIT DUAL FLAT CNVR WITH LTH SIDE BLOCK OFF	FILE NO	AAA-009-00163.idw

DR	LMV	TOLERANCES (UNLESS SPECIFIED OTHERWISE) FRACTIONAL ± 1/16" DEC X.X ± 0.1" DEC X.XX ± 0.06" DEC X.XXX ± 0.031" ANGULAR ± 0.5°	JAY•LOR® Fabricating Inc
DAT	1/19/2012		
MAT			
CONFIDENTIAL: THESE DRAWINGS AND COPIES THEREOF REMAIN THE PROPERTY OF JAY-LOR FABRICATING INC. ANY PERSON FOUND UNLAWFULLY USING, DISTRIBUTING, OR IN POSSESSION OF THE ABOVE WILL BE PROSECUTED			

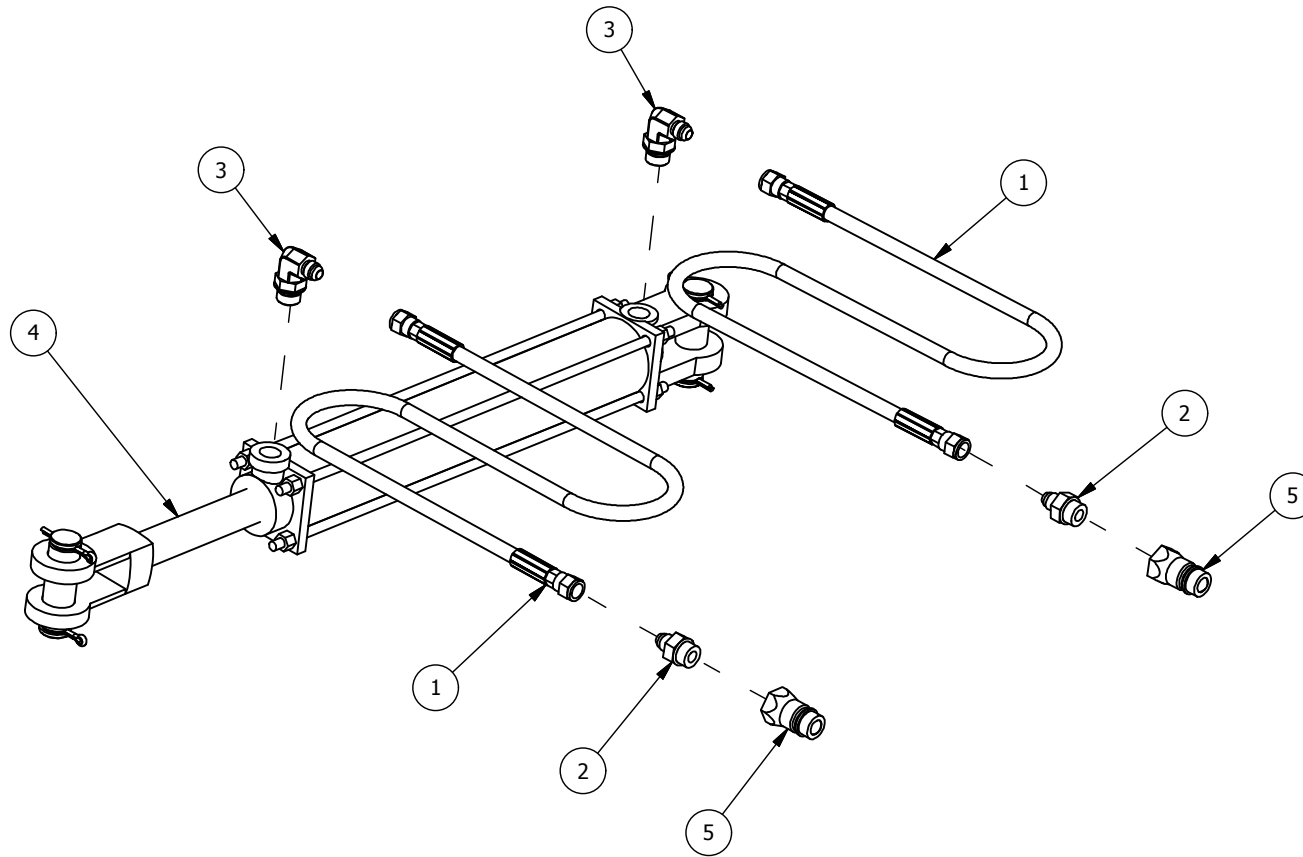


Parts List			
ITEM	PART NUMBER	TITLE	QTY
1	AAB-009-00322	FIT 10 MQDC X 8 FORB	2
2	AAB-009-00352	FIT 90DEG 6 MJIC X 8 MORB ADJ	2
3	AAB-009-00074	FIT ADPT 6 MJIC X 8 MORB	2
4	AAB-009-00144	HOSE HYD 1/4DIA SINGLE BRAID 6 FJIC SWIVEL X 6 FJIC SWIVEL 150L	2
5	AAB-009-00330	CYDR HYD 12L ASSY WITH PINS	1
6	AAB-009-00330	HYD CYDR 12 STROKE	1

DR	LV	TOLERANCES (UNLESS SPECIFIED OTHERWISE) FRACTIONAL ± 1/16" DEC X.X ± 0.1" DEC X.XX ± 0.06" DEC X.XXX ± 0.031" ANGULAR ± 0.5°	
DAT	1/19/2012		
MAT			
CONFIDENTIAL: THESE DRAWINGS AND COPIES THEREOF REMAIN THE PROPERTY OF JAY-LOR FABRICATING INC. ANY PERSON FOUND UNLAWFULLY USING, DISTRIBUTING, OR IN POSSESSION OF THE ABOVE WILL BE PROSECUTED			

UNITS	PAPER A	SHEET 1 OF 1	R#	DATE	DESCRIPTION	DR	CK
TITLE					FILE NO		
KIT HYD HOSE AND FIT FOR FRT DOOR					AAA-009-00050.idw		

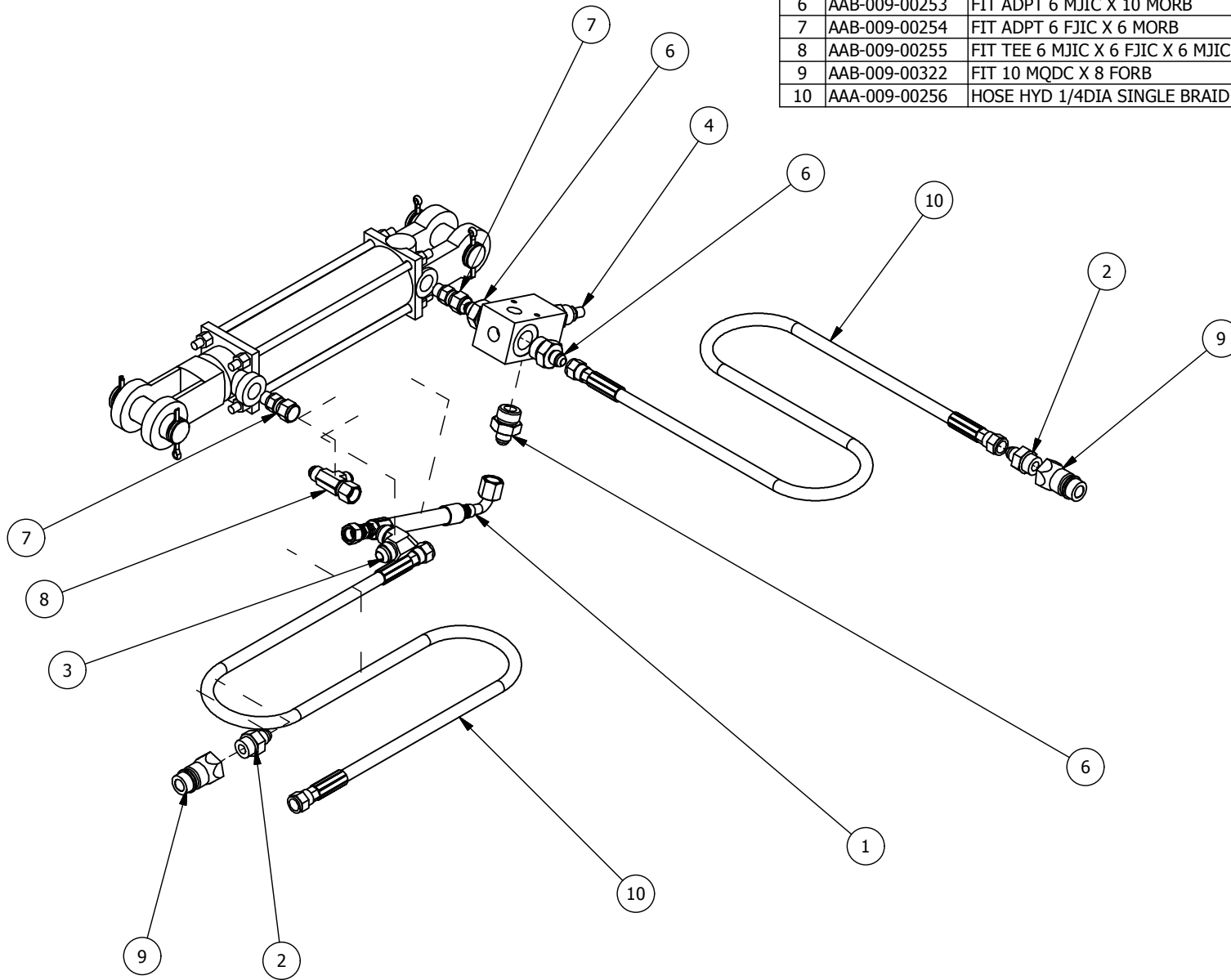
Parts List				
ITEM	PART NUMBER	TITLE	QTY	
1	AAA-009-00258	HOSE HYD 1/4DIA SINGLE BRAID 6 FJIC SWIVEL X 6 FJIC SWIVEL 324L	2	
2	AAB-009-00074	FIT ADPT 6 MJIC X 8 MORB	2	
3	AAB-009-00352	FIT 90DEG 6 MJIC X 8 MORB ADJ	2	
4	AAB-009-00330	HYD CYDR 12 STROKE	1	
5	AAB-009-00322	FIT 10 MQDC X 8 FORB	2	



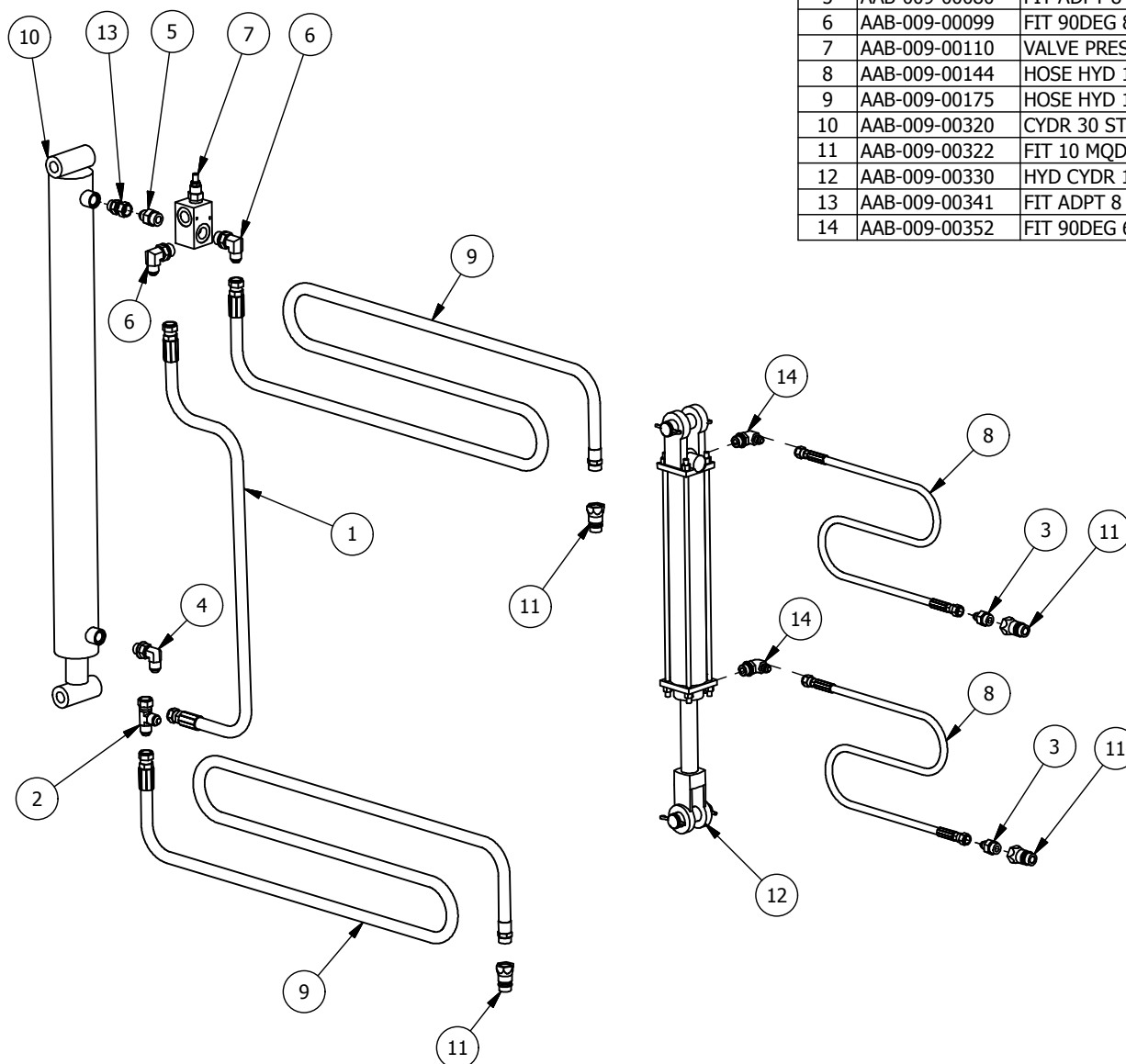
UNITS	PAPER A	SHEET 1 OF 1	R#	DATE	DESCRIPTION	DR	CK
TITLE					FILE NO		
KIT HYD HOSE AND FIT TWIN FRT RIGHT DOOR					AAA-009-00143.idw		

DR	LMV	TOLERANCES (UNLESS SPECIFIED OTHERWISE) FRACTIONAL ± 1/16" DEC X.X ± 0.1" DEC X.XX ± 0.06" DEC X.XXX ± 0.031" ANGULAR ± 0.5°	JAY•LOR Fabricating Inc
DAT	1/19/2012		
MAT			
CONFIDENTIAL: THESE DRAWINGS AND COPIES THEREOF REMAIN THE PROPERTY OF JAY-LOR FABRICATING INC. ANY PERSON FOUND UNLAWFULLY USING, DISTRIBUTING, OR IN POSSESSION OF THE ABOVE WILL BE PROSECUTED			

Parts List			
ITEM	PART NUMBER	TITLE	QTY
1	AAA-009-00148	HOSE HYD 1/4DIA SINGLE BRAID 6 FJIC X 90DEG 6 FJIC 7L 3000PSI	1
2	AAB-009-00074	FIT ADPT 6 MJIC X 8 MORB	2
3	AAB-009-00086	FIT 90DEG 6 MJIC X 6 MJIC	1
4	AAB-009-00110	VALVE PRESSURE RELIEF	1
5	AAB-009-00230	HYD CYDR 6IN STROKE X 2IN BORE	1
6	AAB-009-00253	FIT ADPT 6 MJIC X 10 MORB	3
7	AAB-009-00254	FIT ADPT 6 FJIC X 6 MORB	2
8	AAB-009-00255	FIT TEE 6 MJIC X 6 FJIC X 6 MJIC	1
9	AAB-009-00322	FIT 10 MQDC X 8 FORB	2
10	AAA-009-00256	HOSE HYD 1/4DIA SINGLE BRAID 6 FJIC SWIVEL X 6 FJIC SWIVEL 230L	2



UNITS	PAPER A	SHEET 1 OF 1	R#	DATE	DESCRIPTION	DR	CK	DR GM	TOLERANCES (UNLESS SPECIFIED OTHERWISE)	JAY-LOR <i>Fabricating Inc</i>
TITLE	KIT HYD TWIN FRT RTH DROP FLR					FILE NO	AAA-009-00159.idw	1/19/2012	FRACTIONAL ± 1/16" DEC X.X ± 0.1" DEC X.XX ± 0.06" DEC X.XXX ± 0.031" ANGULAR ± 0.5°	
								MAT	CONFIDENTIAL: THESE DRAWINGS AND COPIES THEREOF REMAIN THE PROPERTY OF JAY-LOR FABRICATING INC. ANY PERSON FOUND UNLAWFULLY USING, DISTRIBUTING, OR IN POSSESSION OF THE ABOVE WILL BE PROSECUTED	



Parts List			
ITEM	PART NUMBER	TITLE	QTY
1	AAA-009-00151	HOSE HYD 1/2DIA SINGLE BRAID 8 FJIC X 8 FJIC 27L 3000PSI	1
2	AAB-009-00029	FIT TEE 8 MJIC X 8 FJIC X 8 MJIC	1
3	AAB-009-00074	FIT ADPT 6 MJIC X 8 MORB	2
4	AAB-009-00076	FIT 90DEG 8 MJIC X ADJUST 8 MORB	1
5	AAB-009-00080	FIT ADPT 8 MJIC X 10 MORB	1
6	AAB-009-00099	FIT 90DEG 8 MJIC X 10 MORB ADJ	2
7	AAB-009-00110	VALVE PRESSURE RELIEF	1
8	AAB-009-00144	HOSE HYD 1/4DIA SINGLE BRAID 6 FJIC SWIVEL X 6 FJIC SWIVEL 150L	2
9	AAB-009-00175	HOSE HYD 1/2DIA SINGLE BRAID 8 FJIC X 8 MORB 540L 3000PSI	2
10	AAB-009-00320	CYDR 30 STROKE (66 PIN TO PIN)	1
11	AAB-009-00322	FIT 10 MQDC X 8 FORB	4
12	AAB-009-00330	HYD CYDR 12 STROKE	1
13	AAB-009-00341	FIT ADPT 8 FJIC X 8 MORB	1
14	AAB-009-00352	FIT 90DEG 6 MJIC X 8 MORB ADJ	2

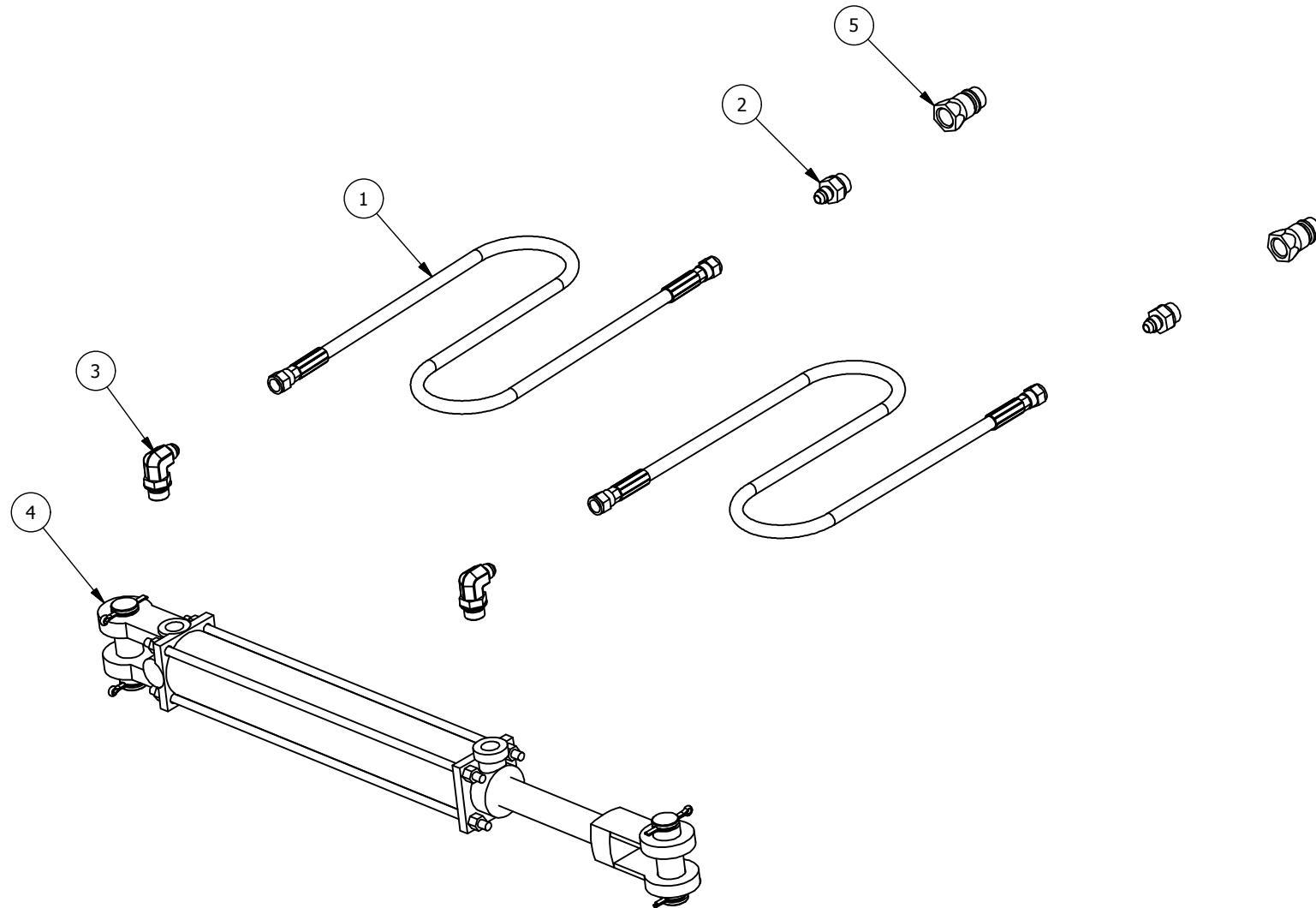
NOTE:

BESIDES REGULAR TWIN MODELS
THIS HOSE KIT IS APPLICABLE TO ALL
FRT AND REAR DOOR HD MODELS AS WELL

UNITS		PAPER A	SHEET 1 OF 1		R#	DATE	DESCRIPTION	DR	GM	TOLERANCES (UNLESS SPECIFIED OTHERWISE)			
					2		ADDED FRT FOOR HOSE KIT	LMV		FRACTIONAL ± 1/16"			
					1	06/09/2009	REMOVED FRONT DOOR HOSE KIT FROM REAR DOOR KIT	LMV	1/19/2012	DEC X.X ± 0.1"			
								DR	CK	DEC X.XXX ± 0.06"			
										ANGULAR ± 0.031"			
										ANGULAR ± 0.5°			
TITLE					KIT HOSE AND FIT FOR TWINS REAR DOOR			FILE NO		AAA-009-00122.idw			<small>CONFIDENTIAL: THESE DRAWINGS AND COPIES THEREOF REMAIN THE PROPERTY OF JAY-LOR FABRICATING INC. ANY PERSON FOUND UNLAWFULLY USING, DISTRIBUTING, OR IN POSSESSION OF THE ABOVE WILL BE PROSECUTED</small>

Parts List

ITEM	PART NUMBER	TITLE	QTY
1	AAA-009-00257	HOSE HYD 1/4DIA SINGLE BRAID 6 FJIC SWIVEL X 6 FJIC SWIVEL 540L	2
2	AAB-009-00074	FIT ADPT 6 MJIC X 8 MORB	2
3	AAB-009-00352	FIT 90DEG 6 MJIC X 8 MORB ADJ	2
4	AAB-009-00330	HYD CYDR 12 STROKE	1
5	AAB-009-00322	FIT 10 MQDC X 8 FORB	2



DR LMV
 DAT 1/19/2012
 MAT

TOLERANCES (UNLESS SPECIFIED OTHERWISE)
 FRACTIONAL ± 1/16"
 DEC X.X ± 0.1"
 DEC X.XX ± 0.06"
 DEC X.XXX ± 0.031"
 ANGULAR ± 0.5°

JAY•LOR
 Fabricating Inc

UNITS PAPER A SHEET 1 OF 1 R# DATE DESCRIPTION DR CK

TITLE KIT HYD HOSE AND FIT TWIN REAR LTH DOOR

FILE NO AAA-009-00146.idw

CONFIDENTIAL: THESE DRAWINGS AND COPIES THEREOF REMAIN THE PROPERTY OF JAY-LOR FABRICATING INC. ANY PERSON FOUND UNLAWFULLY USING, DISTRIBUTING, OR IN POSSESSION OF THE ABOVE WILL BE PROSECUTED

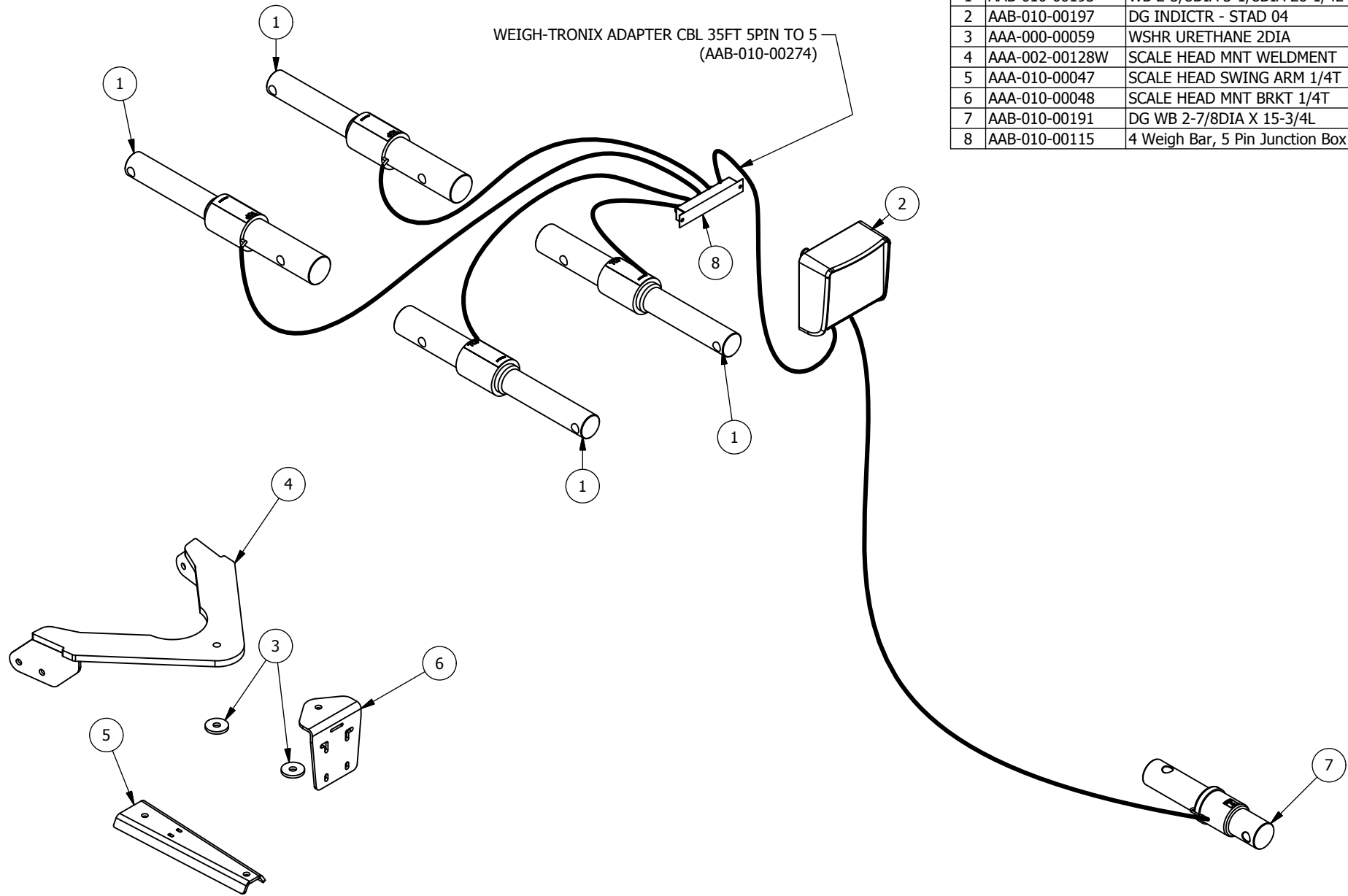
O. 010 – SCALE / LIGHTING PARTS

Drawing Number Reference Chart:

Part	Model		
	4850HD	41000HD	41250HD
Scale System	AAA-054-00129		
Light Bar Kit with 4-Bar Harness	AAA-010-00016		
Light Bar Kit with 4-Bar Harness & 7-pin Adptr	AAA-010-00015		

Parts List

ITE	PART NUMBER	TITLE	QTY
1	AAB-010-00195	WB 2-5/8DIA 3-1/8DIA 26-1/4L	4
2	AAB-010-00197	DG INDICTR - STAD 04	1
3	AAA-000-00059	WSHR URETHANE 2DIA	2
4	AAA-002-00128W	SCALE HEAD MNT WELDMNT	1
5	AAA-010-00047	SCALE HEAD SWING ARM 1/4T	1
6	AAA-010-00048	SCALE HEAD MNT BRKT 1/4T	1
7	AAB-010-00191	DG WB 2-7/8DIA X 15-3/4L	1
8	AAB-010-00115	4 Weigh Bar, 5 Pin Junction Box	1



WEIGH-TRONIX ADAPTER CBL 35FT 5PIN TO 5
(AAB-010-00274)

HD SERIES BRACKET PARTS
(INDENTICAL TO 4000 SERIES)

DR	Jan .v. Ee	TOLERANCES (UNLESS SPECIFIED OTHERWISE) FRACTIONAL ± 1/16" DEC .X.X ± 0.1" DEC .X.XX ± 0.06" DEC .X.XXX ± 0.031" ANGULAR ± 0.5°	JAY-LOR Fabricating Inc
DAT	10/31/2012		
MAT			

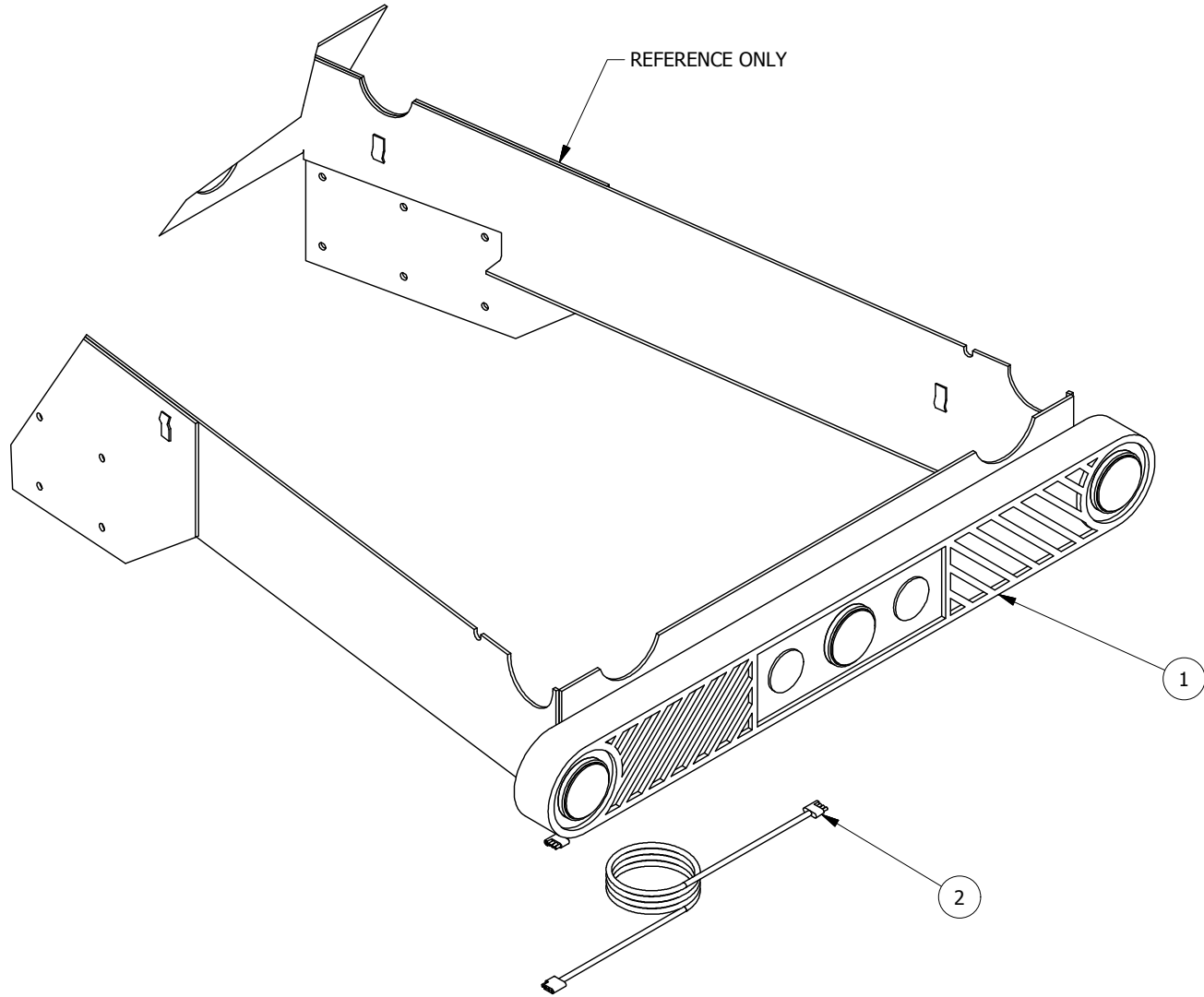
UNITS	PAPER A	SHEET 1 OF 1	R#	DATE	DESCRIPTION	DR	CK
-------	---------	--------------	----	------	-------------	----	----

TITLE HD SERIES SCALE SYSTEM (5 BAR)

FILE NO AAA-054-00129.idw

CONFIDENTIAL: THESE DRAWINGS AND COPIES THEREOF REMAIN THE PROPERTY OF JAY-LOR FABRICATING INC. ANY PERSON FOUND UNLAWFULLY USING, DISTRIBUTING, OR IN POSSESSION OF THE ABOVE WILL BE PROSECUTED

Parts List			
ITEM	PART NUMBER	TITLE	QTY
1	AAB-018-00001	LIGHT BAR TAIL RETRO AG WITH FLASHING AMBER , LTH, RTH STOP AND SIGNAL	1
2	AAB-018-00015	30 FT CABLE W/ 4 PRONG PLUGS	1

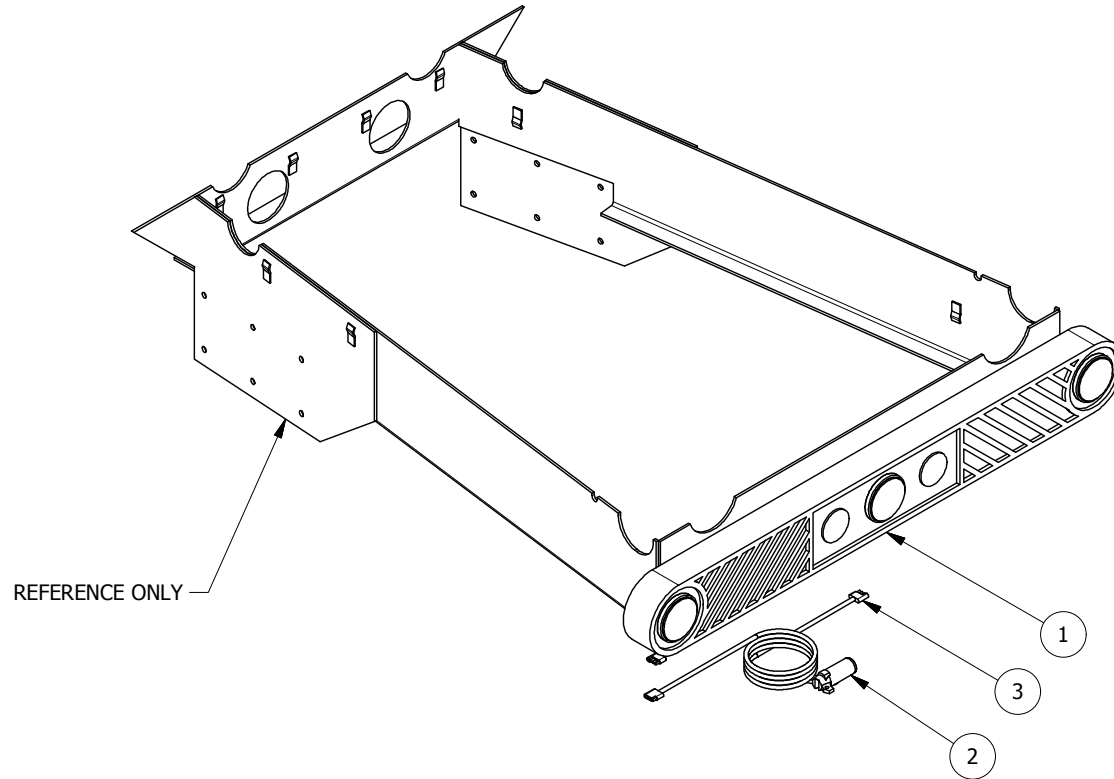


UNITS	EACH	PAPER	A	SHEET	1 OF 1	R#	DATE	DESCRIPTION	DR	CK
TITLE	LIGHT BAR ASSY WITH 4 PIN HARNESS								FILE NO	AAA-010-00016.idw

DR	LMV	TOLERANCES (UNLESS SPECIFIED OTHERWISE) FRACTIONAL ± 1/16" DEC X.X ± 0.1" DEC X.XX ± 0.06" DEC X.XXX ± 0.031" ANGULAR ± 0.5°	JAY•LOR Fabricating Inc
DAT	5/14/2007		
MAT			
CONFIDENTIAL: THESE DRAWINGS AND COPIES THEREOF REMAIN THE PROPERTY OF JAY-LOR FABRICATING INC. ANY PERSON FOUND UNLAWFULLY USING, DISTRIBUTING, OR IN POSSESSION OF THE ABOVE WILL BE PROSECUTED			

Parts List

ITEM	PART NUMBER	TITLE	QTY
1	AAB-018-00001	LIGHT BAR TAIL RETRO AG WITH FLASHING AMBER , LTH, RTH STOP AND SIGNAL	1
2	AAB-018-00002	PLUG ADPT RETRO 7-RND FOR LIGHT PACKAGES	1
3	AAB-018-00015	30 FT CABLE W/ 4 PRONG PLUGS	1



REFERENCE ONLY

DR	BCN	TOLERANCES (UNLESS SPECIFIED OTHERWISE) FRACTIONAL ± 1/16" DEC X.X ± 0.1" DEC X.XX ± 0.06" DEC X.XXX ± 0.031" ANGULAR ± 0.5°	JAY•LOR Fabricating Inc
DAT	5/14/2007		
MAT			

UNITS	EACH	PAPER	A	SHEET	1 OF 1	R#		DATE		DESCRIPTION	DR	CK
-------	------	-------	---	-------	--------	----	--	------	--	-------------	----	----

TITLE LIGHT BAR ASSY WITH 4 PIN HARNESS AND 7 PIN ADPT

FILE NO AAA-010-00015.idw

CONFIDENTIAL: THESE DRAWINGS AND COPIES THEREOF REMAIN THE PROPERTY OF JAY-LOR FABRICATING INC. ANY PERSON FOUND UNLAWFULLY USING, DISTRIBUTING, OR IN POSSESSION OF THE ABOVE WILL BE PROSECUTED